



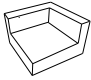



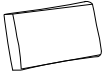

LIVING SPACES

SANIBEL OUTDOOR CORNER CHAIR

18C108A-W-S-3
284528

Assembly Instruction

Parts List:

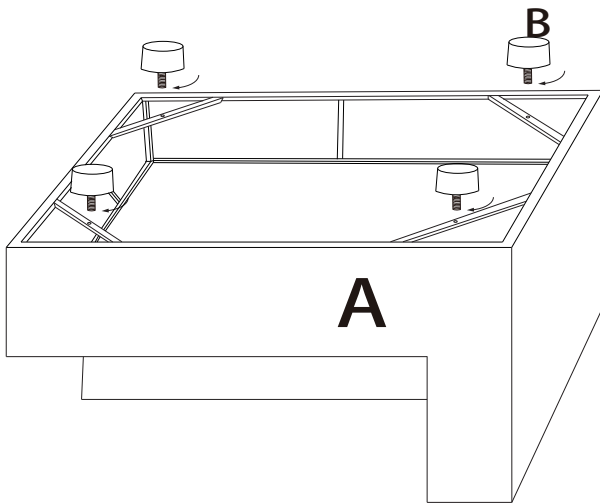
| REF | DESCRIPTION | IMAGE | QTY |
|-----|-------------|---|-----|
| A | SEAT |  | 1 |
| B | LEG |  | 4 |
| C | CUSHION |  | 1 |
| D | SUPPORT MAT |  | 1 |
| E | BACK PAD |  | 1 |
| F | ARMREST PAD |  | 1 |

Hardware List:

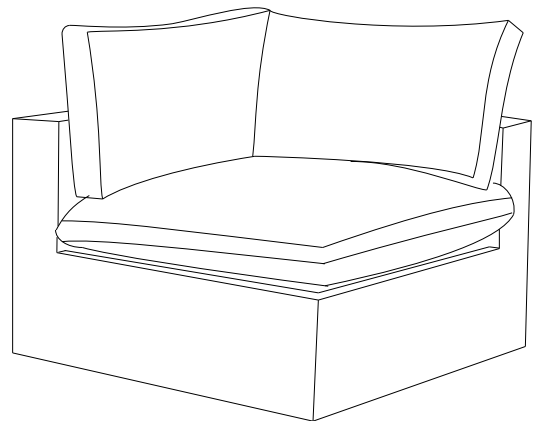
| REF | DESCRIPTION | IMAGE | QTY |
|-----|-------------|-------|-----|
| | | | |

Diagram:

Step 1



Step 2



Assembly Steps:

Tip- Remove protective wrapping and lay all parts on floor. Identify all parts packed in Carton against attached parts list to make sure all parts are presented.

Step 1: Place a protective soft material on floor. Lay seat (A) upside down on floor, the bottom is facing up. Then attach Leg (B) to the bottom as shown in Diagram.

Step 2: With a second person's assistance carefully turn the chair over onto its legs. Make sure legs rest on a flat surface. Put support mat, seat cushion and back cushion on the sofa in order.

NOTE: IT IS USER'S RESPONSIBILITY TO MAKE SURE ALL PARTS ARE ASSEMBLED AND TIGHTENED PROPERLY AND SECURELY.

Hardware List:


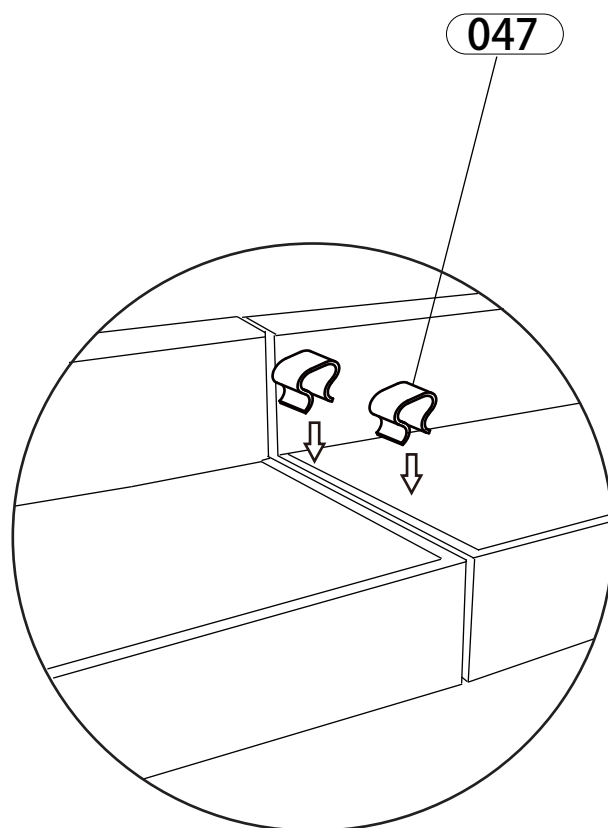
| REF | DESCRIPTION | IMAGE | QTY |
|-----|-------------|---|-----|
| 047 | U-CLIP |  | 2 |

Diagram:



Assembly Steps:

Step 1: Remove protective wrapping and lay all parts on floor.

Step 2: Connect the each collection with u-clips .