







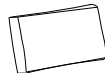
LIVING SPACES

SANIBEL OUTDOOR ARMLESS CHAIR

18C108A-W-M-3
284526

Assembly Instruction

Parts List:

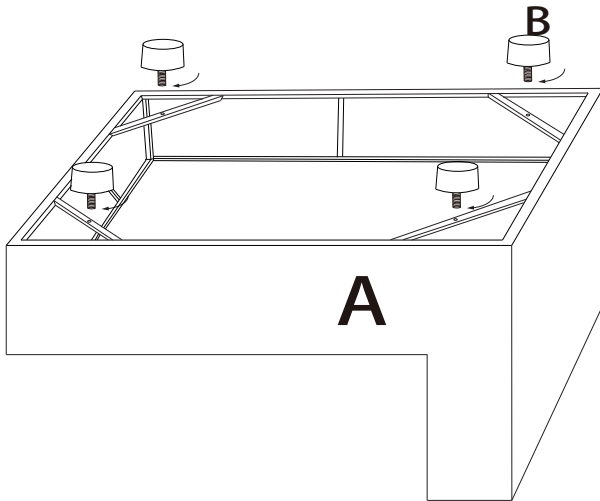
REF	DESCRIPTION	IMAGE	QTY
A	SEAT		1
B	LEG		4
C	CUSHION		1
D	SUPPORT MAT		1
E	BACK PAD		1

Hardware List:

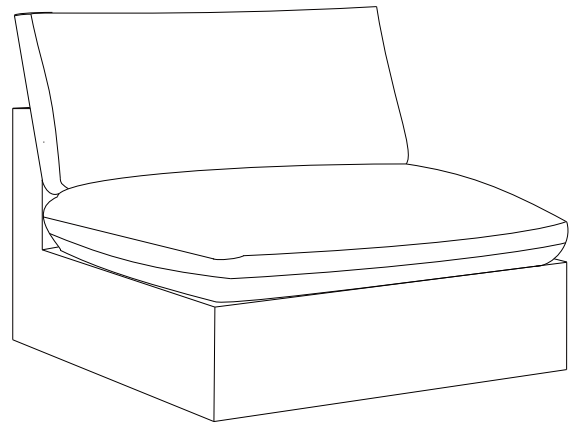
REF	DESCRIPTION	IMAGE	QTY

Diagram:

Step 1



Step 2



Assembly Steps:

Tip- Remove protective wrapping and lay all parts on floor. Identify all parts packed in Carton against attached parts list to make sure all parts are presented.

Step 1: Place a protective soft material on floor. Lay seat (A) upside down on floor, the bottom is facing up. Then attach Leg (B) to the bottom as shown in Diagram.

Step 2: With a second person's assistance carefully turn the chair over onto its legs. Make sure legs rest on a flat surface. Put support mat, seat cushion and back cushion on the sofa in order.

NOTE: IT IS USER'S RESPONSIBILITY TO MAKE SURE ALL PARTS ARE ASSEMBLED AND TIGHTENED PROPERLY AND SECURELY.

Hardware List:


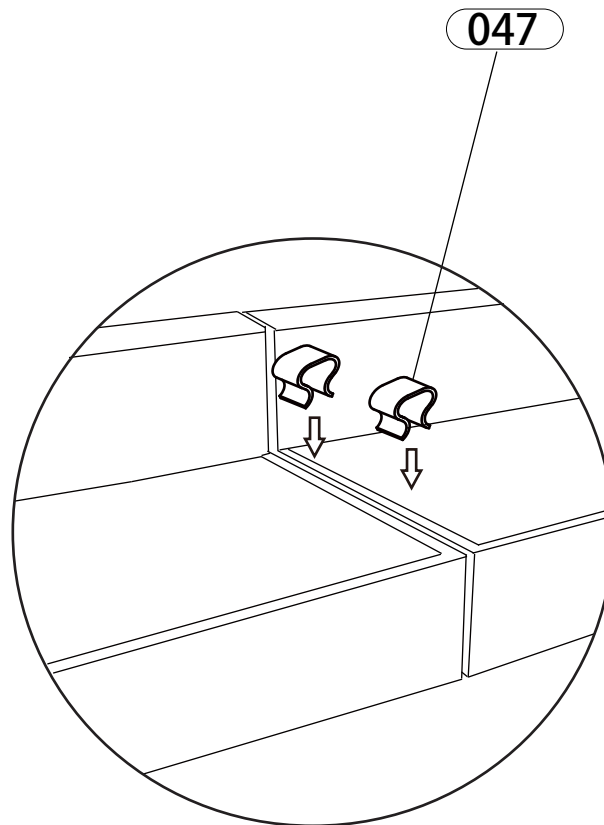
REF	DESCRIPTION	IMAGE	QTY
047	U-CLIP		2

Diagram:



Assembly Steps:

Step 1: Remove protective wrapping and lay all parts on floor.

Step 2: Connect the each collection with u-clips .