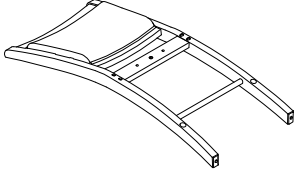
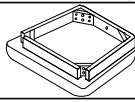
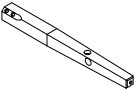
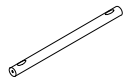









**ASSEMBLY INSTRUCTIONS**  
**INSTRUCCIONES**

**2727WH-S-24 / 2727BK-S-24**  
**(COUNTER HIGH CHAIR)**

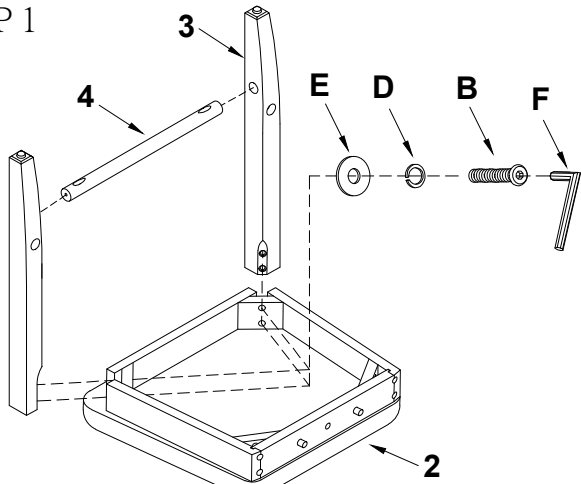
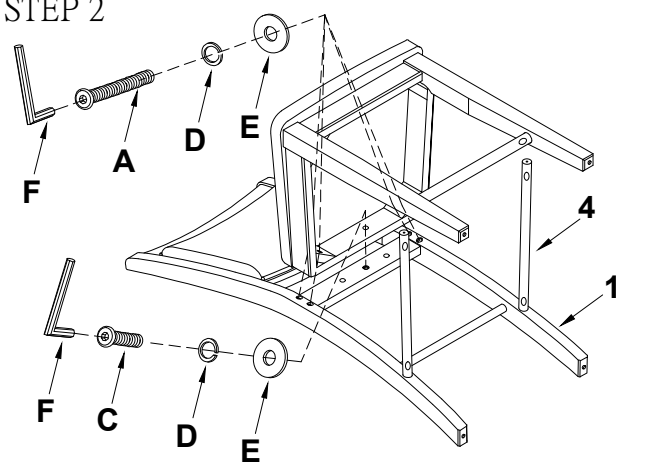
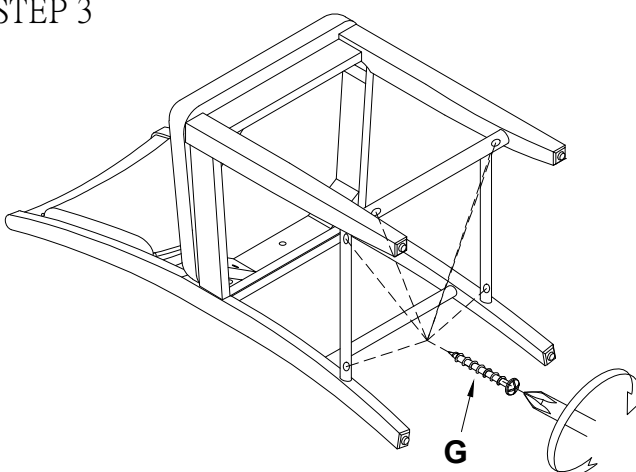
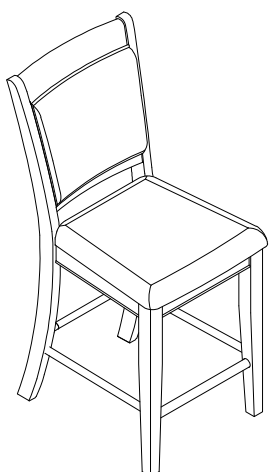
**PARTS LIST**  
**LISTA DE PARTES**

**2727WH-S-24 / 2727BK-S-24**  
**(SILLA ALTA DE MOSTRADOR)**

1		1PC / PIEZA
2		1PC / PIEZA
3		2PCS / PIEZAS
4		3PCS / PIEZAS SIDE=2 FRONT=1

A		BOLT 5/16"×18×3" (chair back leg corner)	4PCS / PIEZAS
B		BOLT 5/16"×18×2" (front leg)	4PCS / PIEZAS
C		BOLT 5/16"×18×1-1/2" (chair back center)	1PC / PIEZAS
D		SPRING WASHER 5/16"×12mm	9PCS / PIEZAS
E		FLAT WASHER 5/16"×19mm	9PCS / PIEZAS
F		ALLEN WRENCH 4mm	1PC / PIEZA
G		SCREW 1-1/2"	6PCS / PIEZAS

**ASSEMBLY INSTRUCTIONS**  
**INSTRUCCIONES**

<p>STEP 1</p> 	<p>STEP 2</p> 
<p>STEP 3</p> 	<p>STEP 4</p> 

**DO NOT TIGHTEN ALL BOLTS UNTIL COMPLETELY ASSEMBLED.**  
**NO APRETAR LOS TORNILLOS HASTA ARMAR COMPLETAMENTE.**