

# ASSEMBLY INSTRUCTION FOR

## DUAL MOTOR LIFT RECLINER WITH POWER HEADREST

**Caution:** Please read instructions thoroughly before unpacking assembly parts. Sharp, exposed staple tips can cause injury, therefore, for your protection, please remove any exposed staples used in packing.

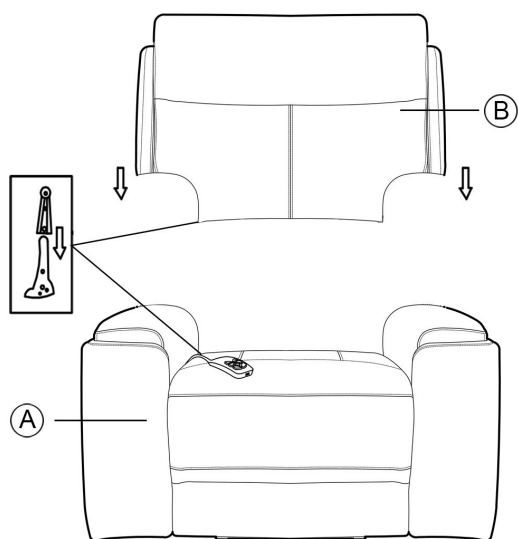
1. We recommend that you should assemble this product with the assistance of another person; this will make assembly easier, and will help to eliminate damage the product or injury to persons during assembly.
2. Be sure to check all packing materials carefully for small parts that may have come loose inside the carton during shipment.
3. Please do not over tighten screws or bolts.
4. Please put all parts on a non-abrasive floor before assembly, and follow the assembly steps to assemble your newly purchased product correctly and efficiently.

### PART LIST

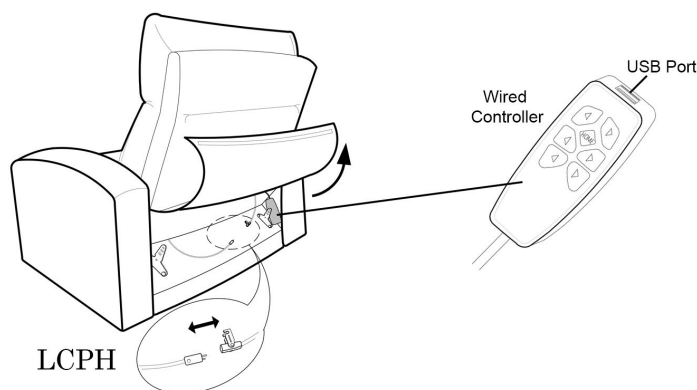
NO.	PART DESC	Q'TY
A	BASE OF POWER MOTION RECLINER	1
B	BACK CUSHION	1
C	PLUG WITH WIRE	1

#### STEP 1 BACK CUSHION ASSEMBLY INSTRUCTION

TWO PERSON ASSEMBLY INSERT THE TOP OF DUAL MOTOR LIFT RECLINER WITH POWER HEADREST INTO THE BASE OF DUAL MOTOR LIFT RECLINER WITH POWER HEADREST ON BOTH SIDES AT THE SAME TIME FOR QUICK AND EASY ASSEMBLY.



#### STEP 2 CONNECTION ELECTRICAL HEADREST



COMPLETED CONGRATULATIONS ON YOUR ASSEMBLE SUCCESS.

