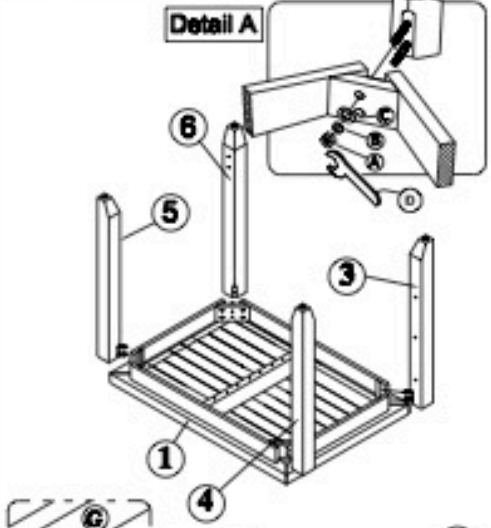


Thank you for purchasing this quality product. Be sure to check all packing material carefully for small parts that may have come loose inside the carton during shipment

Parts Key			
No	Code	Qty	Description
1	1706-36P24	1 pc	Table Top
2	1706-36P51	1 pc	Storage Box
3	1706-36P02R	1 pc	Right Front Leg (with shelf holes)
4	1706-36P02L	1 pc	Left Front Leg (with shelf holes)
5	1706-36P02BL	1 pc	Left Back Leg
6	1706-36P02BR	1 pc	Right Back Leg
7	1706-36P11C	1 pc	Large Center Stretcher
8	1706-36P11S	1 pc	Small Side Stretcher
9	1706P01F	4 pcs	Floor Glide

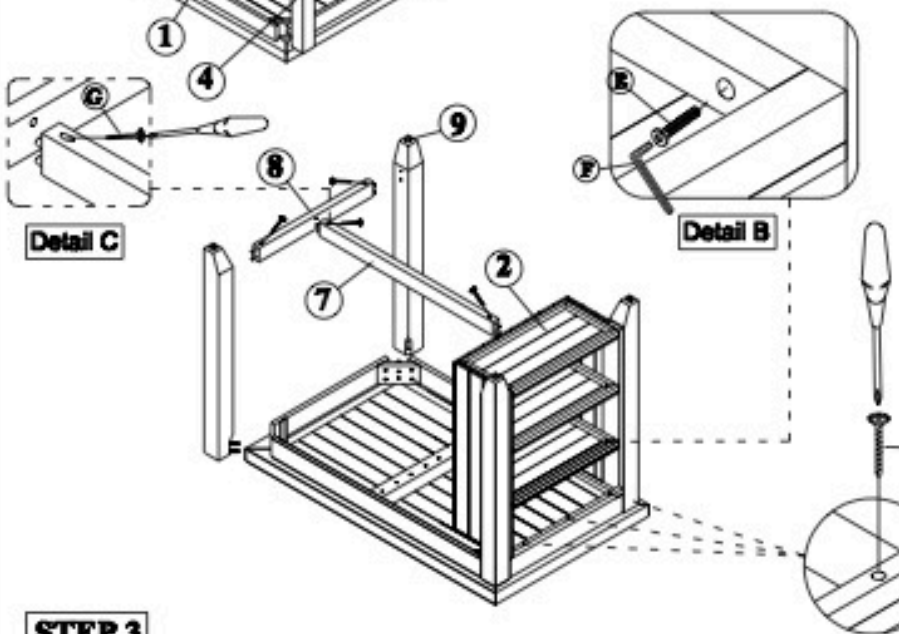
Hardware kit 1706-36P01			
No	Description	QTY	
A	Hex Nut Ø8	8 pcs	
B	Lock Washer Ø8.5	14 pcs	
C	Flat Washer Ø8.5	14 pcs	
D	Key Wrench	1 pc	
E	Short Bolt Ø8 x 60mm	6 pcs	
F	Allen Key	1 pc	
G	Screw Ø4 x 40mm	7 pcs	



Detail A

STEP 1

- Carefully lay Table top upside down on a smooth flat surface to prevent scratches.
- Attach each Leg to each corner of Table Top as shown in illustration. Insert a Flat Washer (C), Lock Washer (B) and Nut (A) on the bolts of each Leg. Do not fully tighten.



Detail B

Detail C

STEP 2

- Attach Storage box to Front Legs. Insert a Bolt (E) through holes in wood corner of Storage box. Fully tighten all bolts with Allen key (F). (See Detail B).
- Fully tighten nuts in Front Legs by turning clockwise using provided Key Wrench until secure. (See Detail A)

STEP 3

- Insert Small Side Stretcher between Back Legs. Insert Large Center Stretcher between Storage box and Small Side Stretcher, fasten with Wood Screw using phillip-head screwdriver. (not provided). (See detail C).
- Fully tighten nuts in Back Legs using Key Wrench.
- Carefully turn Pub Table Storage upright.

