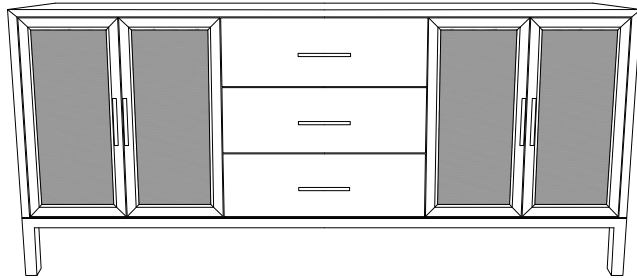




LIVING SPACES

CHARCOAL GREY + NATURAL CANE SIDEBOARD

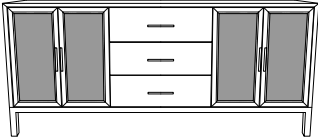
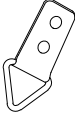





PMPD19-03BF / 283633

CHARCOAL GREY + NATURAL CANE SIDEBOARD



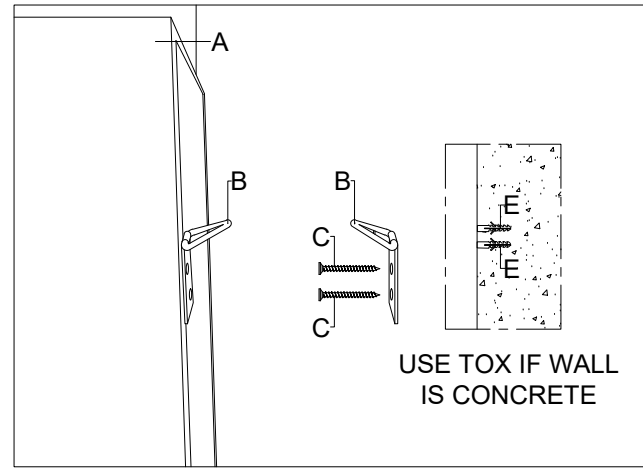
PART LIST

A	PMPD19-03BF-A	 <p>SIDEBOARD</p> <p style="text-align: right;">x1</p>
B	PMPD19-03BF-B	 <p>TRIANGLE METAL HANGER</p> <p style="text-align: right;">x2</p>
C	PMPD19-03BF-C	 <p>BLACK SCREW 1 1/4" X 8mmØ</p> <p style="text-align: right;">x4</p>
D	PMPD19-03BF-D	 <p>BLACK CABLE TIE</p> <p style="text-align: right;">x2</p>
E	PMPD19-03BF-E	 <p>TOX (IF WALL IS CONCRETE)</p> <p style="text-align: right;">x4</p>

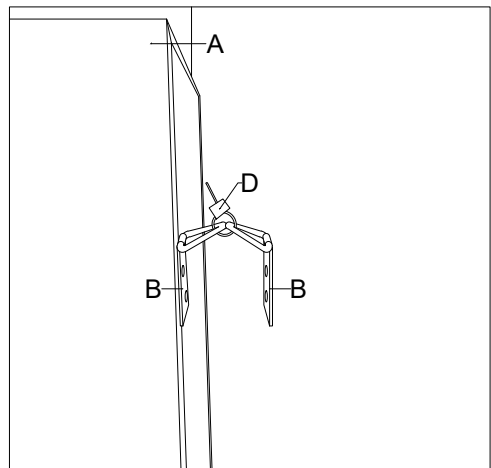
1



2



3



4

