

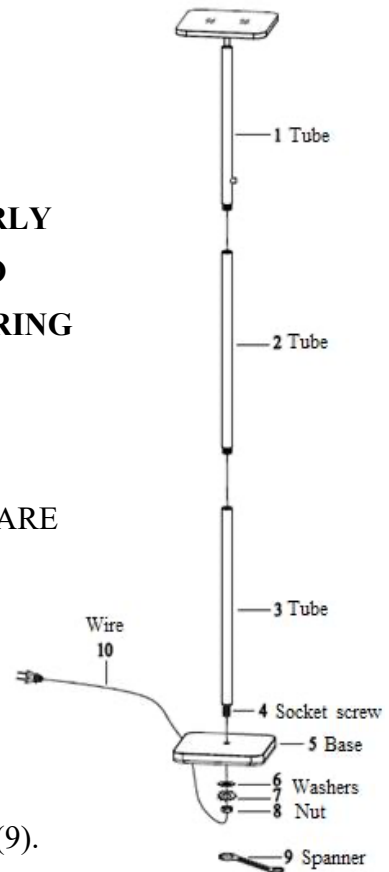
ITEM NO. LS-83355

ASSEMBLY INSTRUCTIONS:

※VERY IMPORTANT

PLEASE READ THOROUGHLY. MAKE SURE YOU PROPERLY ALIGN POLES BEFORE SCREWING THEM TOGETHER TO AVOID DAMAGING CONNECTION THREADS. NOT ADHERING TO THIS PROCEDURE MAY VOID YOUR WARRANTY.

1. CAREFULLY UNPACK PARTS FROM CARTON, REMOVE COVERING FROM PARTS AND CHECK THAT ALL PARTS ARE INCLUDED AS SHOWN IN THE ILLUSTRATION.
2. CONNECT TUBE (1) TO TUBE (2).
3. CONNECT TUBE (2) TO TUBE (3).
4. PULL OUT EXCESS WIRE,
CONNECT SOCKET SCREW (4) TO BASE (5)
5. FASTEN WASHERS (6), (7) AND NUT (8) USING SPANNER (9).
6. PULL OUT EXCESS WIRE (10).



USE LED 30W X 1

IMPORTANT SAFETY INSTRUCTIONS

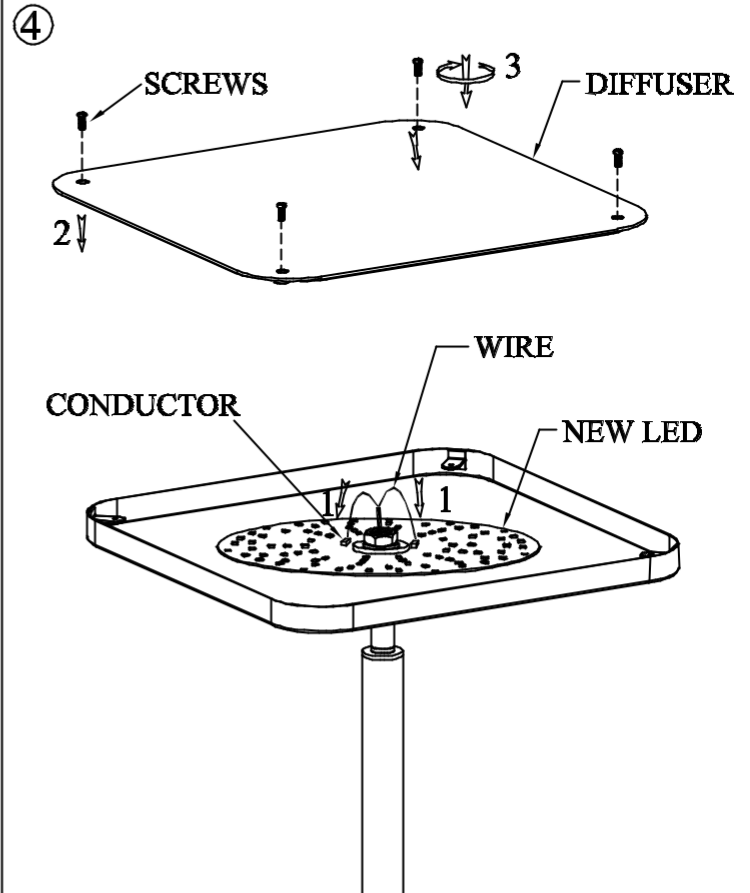
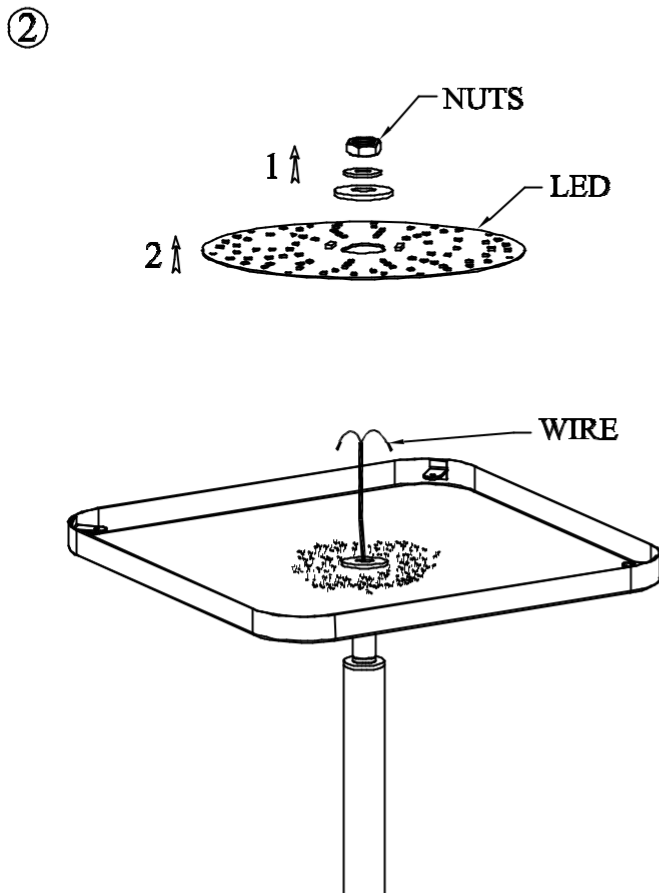
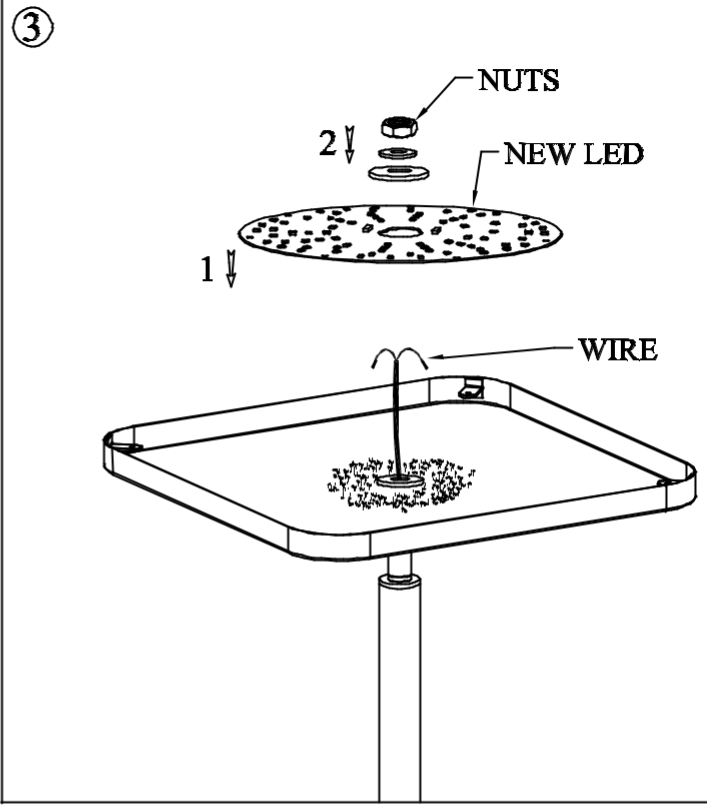
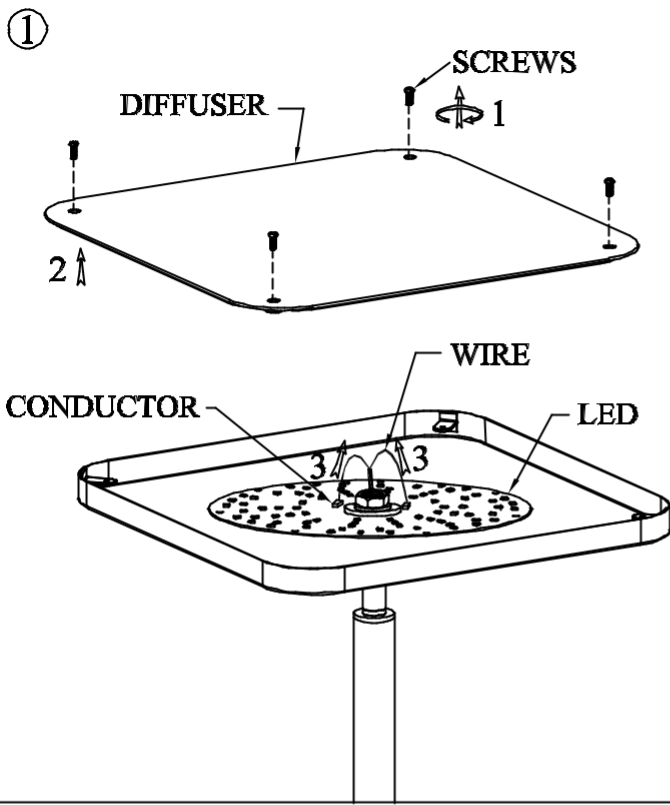
This portable lamp has a polarized plug (one blade is wider than the other) as a feature to reduce the risk of electric shock. This plug will fit in a polarized outlet only one way. If the plug does not fit fully in the outlet, reverse the plug. If it still does not fit, contact a qualified electrician. Never use with an extension cord unless plug can be fully inserted. Do not alter the plug.

ATTENTION

POUR PRÉVENIR LES CHOC ÉLECTRIQUES NE PAS UTILISER CETTE FICHE POLARISÉE AVEC UN PROLONGATEUR, UNE PRISE DE COURANT OU UNE AUTRE SORTIE DE COURANT, SAUF SI LES LAMES PEUVENT ÊTRE INSÉRÉES À FOND SANS EN LAISSER AUCUNE PARTIE À DÉCOUVERT.

※ PLEASE INFORM YOUR DEALER IMMEDIATELY IN CASE OF ANY PARTS SHORTAGE.

※ SAVE THESE INSTRUCTIONS FOR FUTURE REFERENCE.



HOW TO REPLACE THE LED

1. REMOVE FOUR SCREWS AND TAKE THE DIFFUSER OUT, THEN PRESS AND PULL UP THE WIRE OUT OF THE CONDUCTOR.
2. TAKE NUTS OUT THEN REMOVE THE LED.
3. REPLACE WITH THE NEW LED AND BOLT IN.
4. PUSH THE WIRE TO THE CONDUCTOR, THEN SCREW THE DIFFUSER ON THE LAMPSHADE.