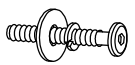

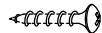

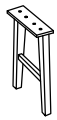

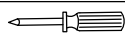

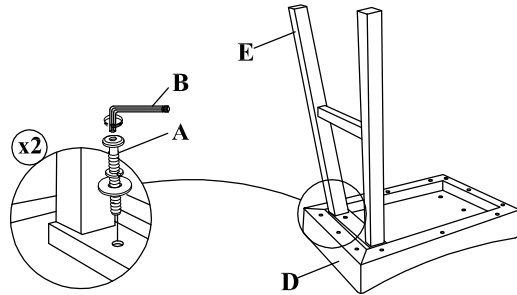


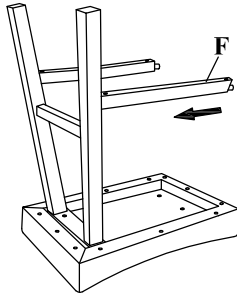
ASSEMBLY INSTRUCTIONS

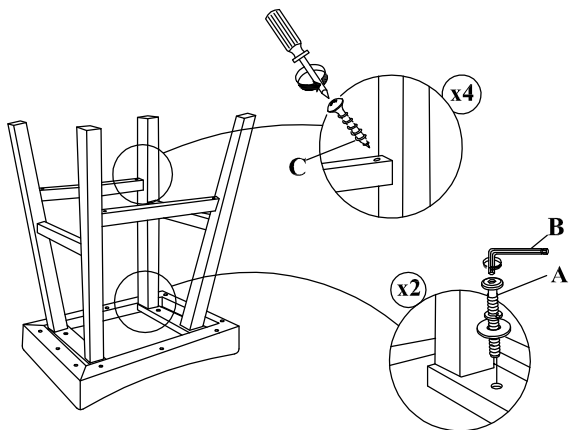
MODEL : 2986C-29-BK/2986C-29-ROAK (ARUBA SADDLE STOOL 29" H)

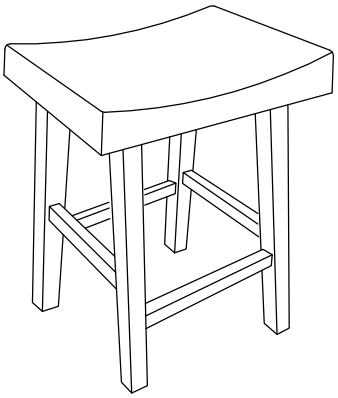
A x 4 JCBC (M6 x 40mm) Spring Washer Flat Washer		B x 1 	
C x 4 	D x 1 	E x 2 	F x 2   Not Included

 **NOTE: UNIT SHOULD BE ASSEMBLED BY TWO OR MORE PEOPLE. DO NOT TIGHTEN ANY BOLTS UNTIL ALL BOLTS HAVE BEEN STARTED .**

1 

2 

3 

4 

NOTE: Level the chair and tighten all bolts with the allen wrench.