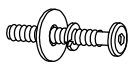

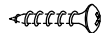

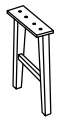

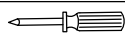

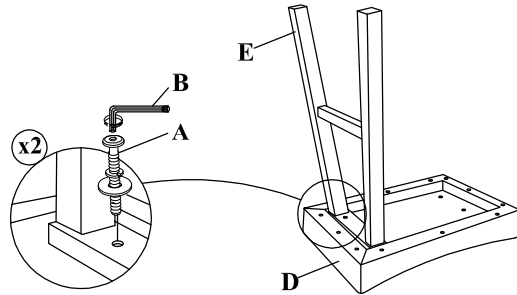


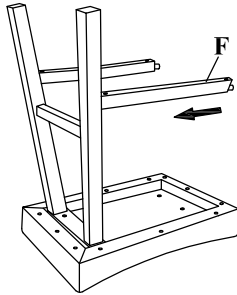
ASSEMBLY INSTRUCTIONS

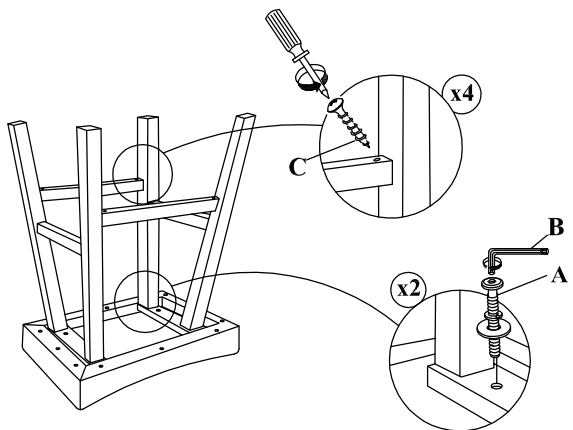
MODEL : 2786C-24-BK/2786C-24-ROAK (ARUBA SADDLE STOOL 24" H)

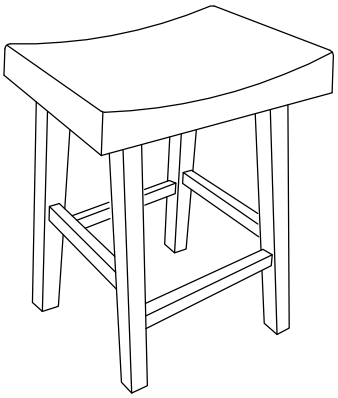
A x 4 JCBC (M6 x 40mm) Spring Washer Flat Washer		B x 1 
C x 4 	D x 1 	E x 2 
		F x 2   Not Included

 **NOTE: UNIT SHOULD BE ASSEMBLED BY TWO OR MORE PEOPLE. DO NOT TIGHTEN ANY BOLTS UNTIL ALL BOLTS HAVE BEEN STARTED .**

① 

② 

③ 

④ 

NOTE: Level the chair and tighten all bolts with the allen wrench.