

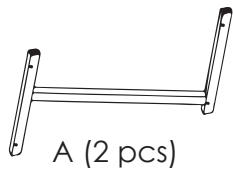
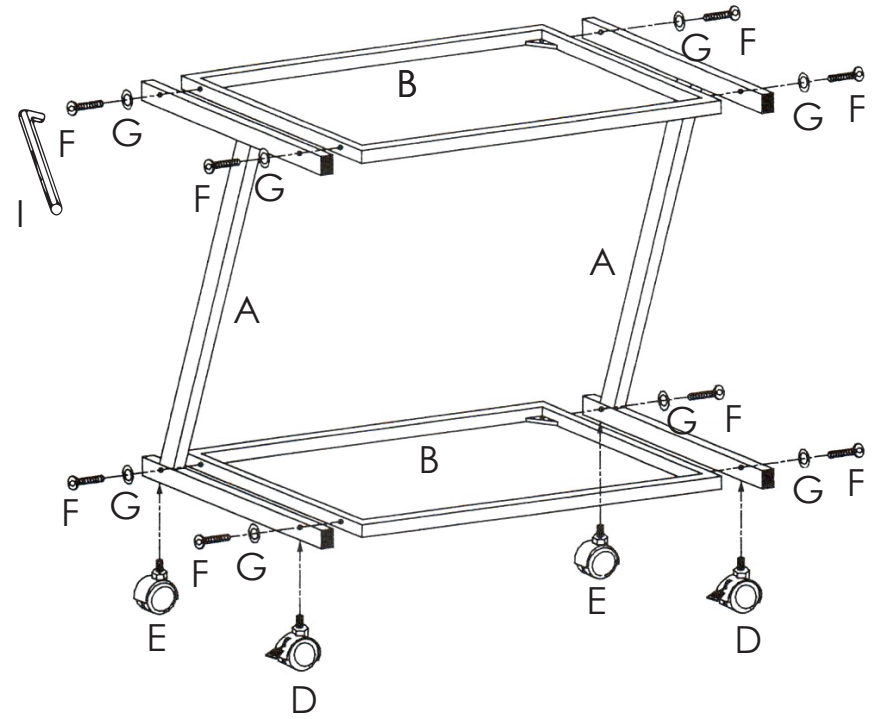
# euro style

## Assembly Instructions L-Series Printer Cart

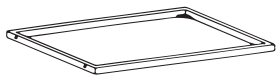
PLEASE NOTE: Check that you have received all components and hardware before assembling. If you are missing any parts, contact your retailer, or email: [cs@euro.style](mailto:cs@euro.style).



1



A (2 pcs)



B (2 pcs)



C (2 pcs)



D (2 pcs)



E (2 pcs)



F (8 pcs)



G (8 pcs)



H (8 pcs)



I (1 pc)

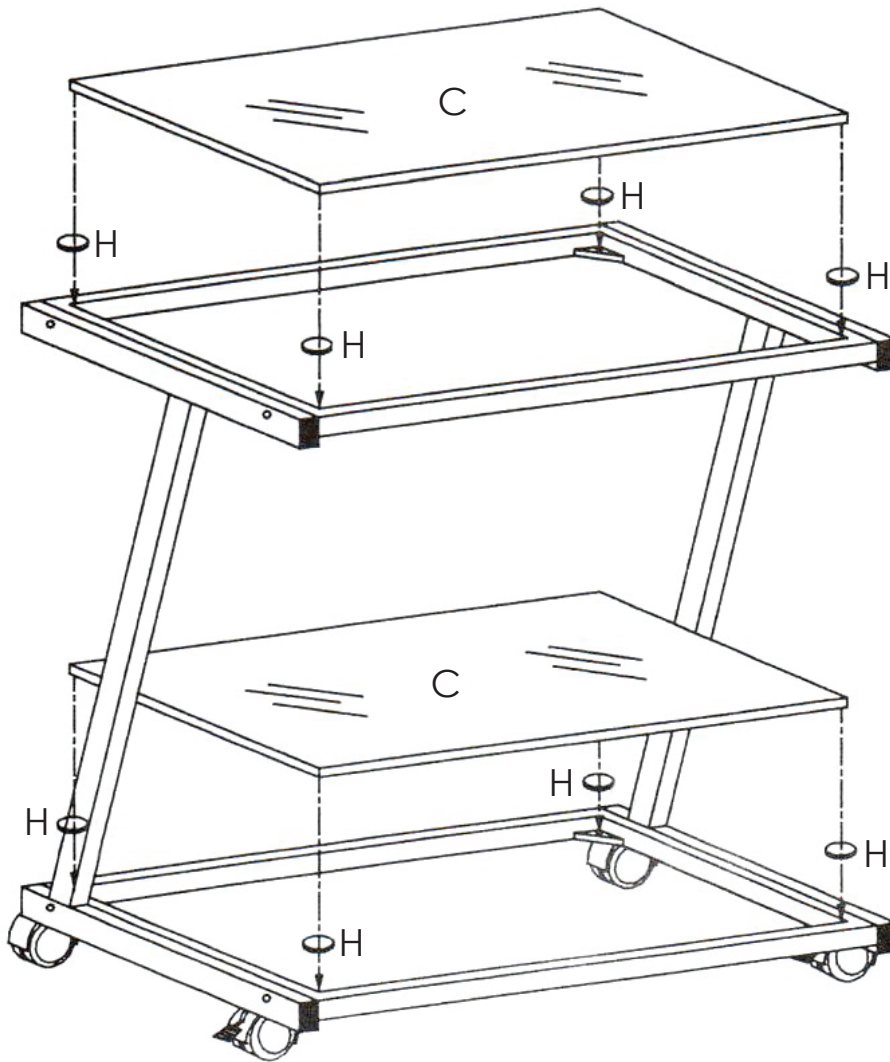
During assembly, hand tighten screws only. When the screws are in place, tighten completely.

# euro style

## Assembly Instructions L-Series Printer Cart

PLEASE NOTE: Check that you have received all components and hardware before assembling. If you are missing any parts, contact your retailer, or email: [cs@euro.style](mailto:cs@euro.style).

2



During assembly, hand tighten screws only. When the screws are in place, tighten completely.