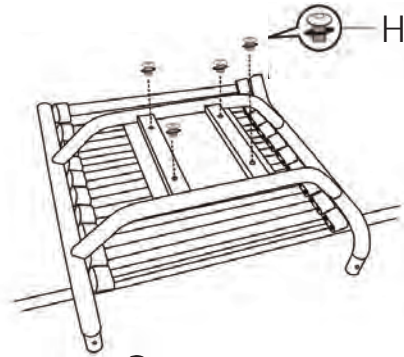


euø style™

Assembly Instructions

ALLISON BUNGIE Flat High Back Office Chair



IMPORTANT NOTE: Screws and washers (Parts H) are preassembled into the underside of the seat (Part B). Remove screws and washers from seat and then use to attach Part C to Part B, as shown in step 1.



A (1 pc)



B (1 pc)



C (1 pc)



D (1 pc)



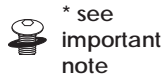
E (1 pc)



F (1 pc)



G (2 pcs)



* see important note
H (4 pcs)
M8 x 14mm



I (2 pcs)
1/4" x 5/8"



J (4 pcs)
M8 x 40mm



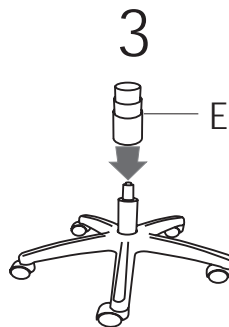
K (4 pcs)



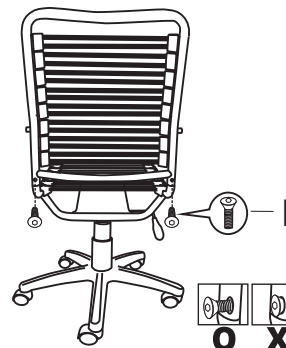
L (1 pc)
5mm



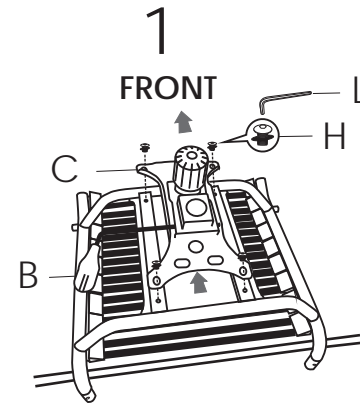
M (1 pc)
4mm



3



6



1

FRONT

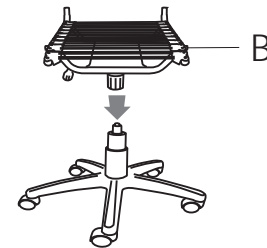
L

H

C

B

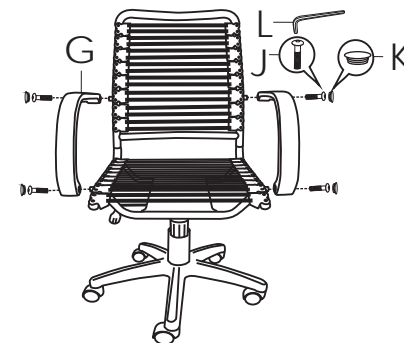
4



4

B

7



7

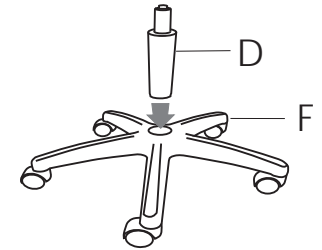
G

L

J

K

2

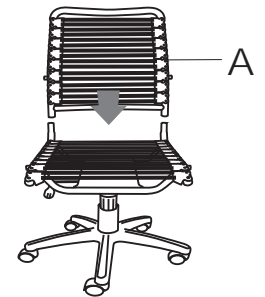


2

D

F

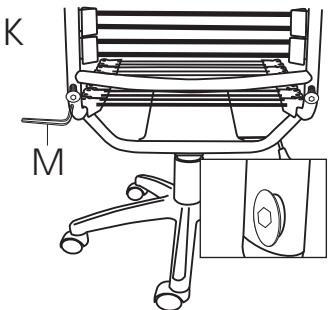
5



5

A

8



8

M

During assembly, hand tighten screws only. When the screws are in place, tighten completely.