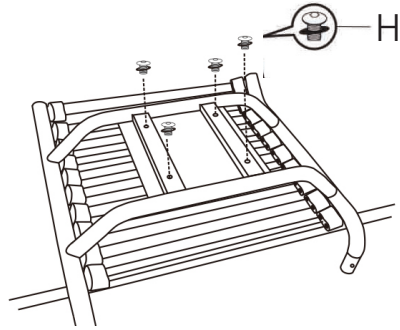


euø style™

Assembly Instructions

BUNGIE Flat High Back Office Chair



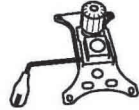
IMPORTANT NOTE: Screws and washers (Parts H) are preassembled into the underside of the seat (Part B). Remove screws and washers from seat and then use to attach Part C to Part B, as shown in step 1.



A (1 pc)



B (1 pc)



C (1 pc)



D (1 pc)



E (1 pc)



F (1 pc)



G (2 pcs)



H (4 pcs)
M8 x 14mm



I (2 pcs)
1/4" x 5/8"



J (4 pcs)
M8 x 40mm



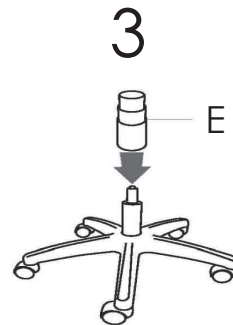
K (4 pcs)



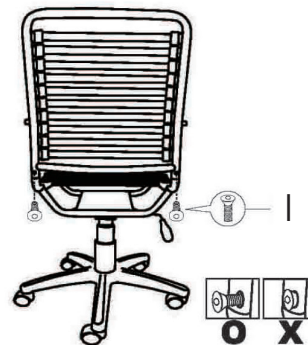
L (1 pc)
5mm



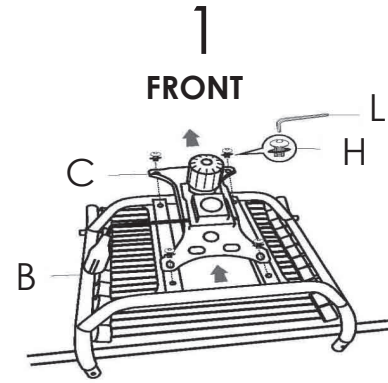
M (1 pc)
4mm



3

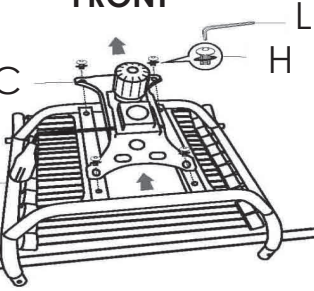


6

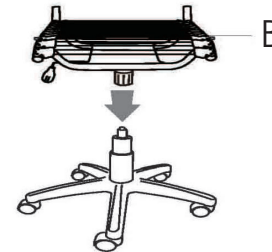


1

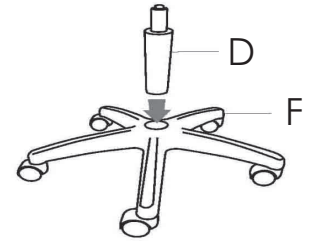
FRONT



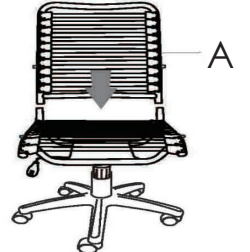
4



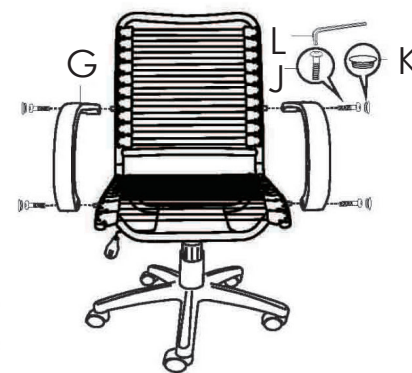
2



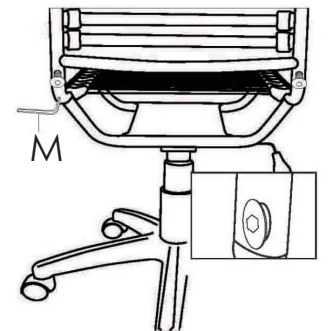
5



7



8



PLEASE NOTE: Check that you have received all components and hardware before assembling. If you are missing any parts, contact your retailer, or fax Eurø Style at 415.455.8033 or email: cs@gotoeurostyle.com.

During assembly, hand tighten screws only. When the screws are in place, tighten completely.