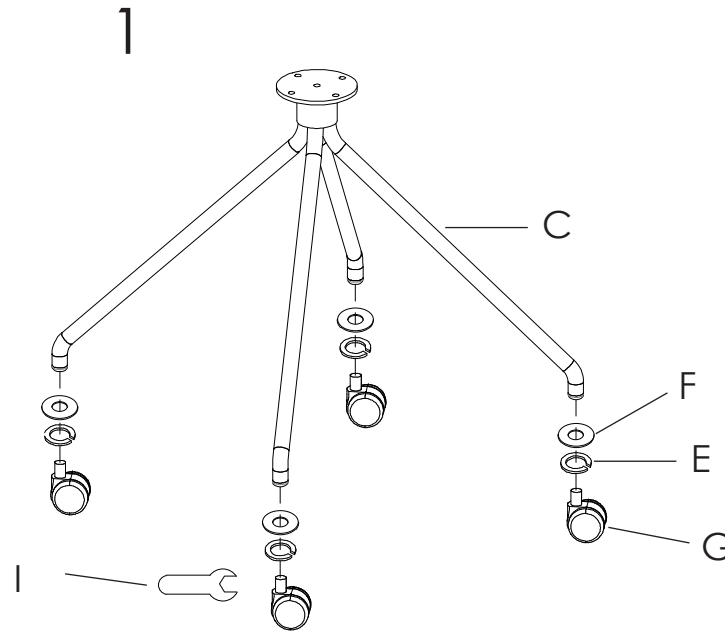


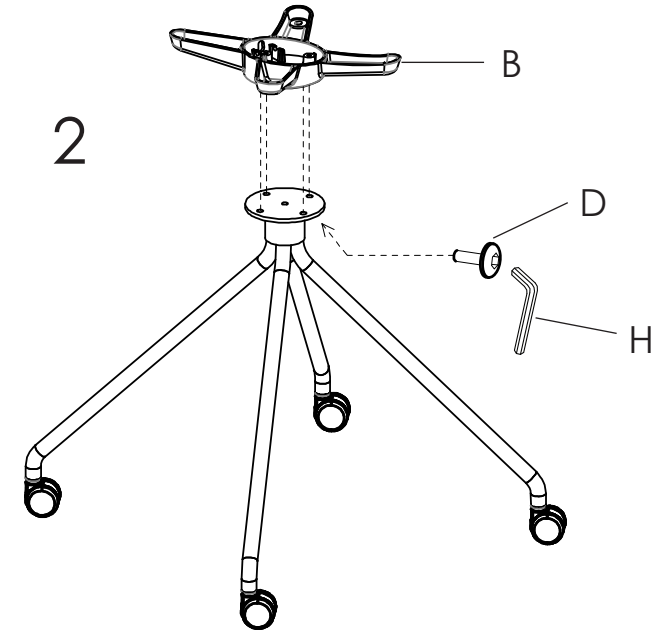
eurow style

Assembly Instructions TAYTE Office Chair

PLEASE NOTE: Check that you have received all components and hardware before assembling. If you are missing any parts, contact your retailer.



Hand tighten the casters (Part G) first. When the casters are in place, use the wrench (Part I) to tighten completely.



A (1 pc)



B (1 pc)



C (1 pc)



D (4 pcs)



E (4 pcs)



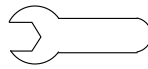
F (4 pcs)



G (4 pcs)



H (1 pc)



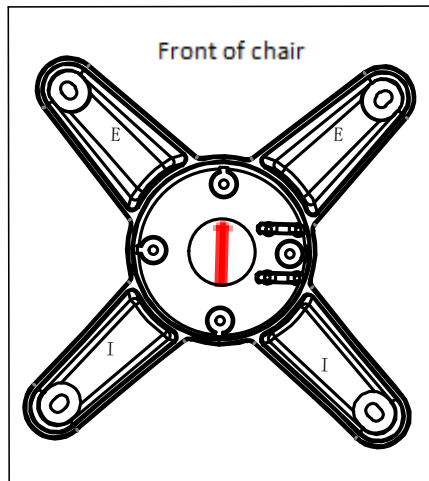
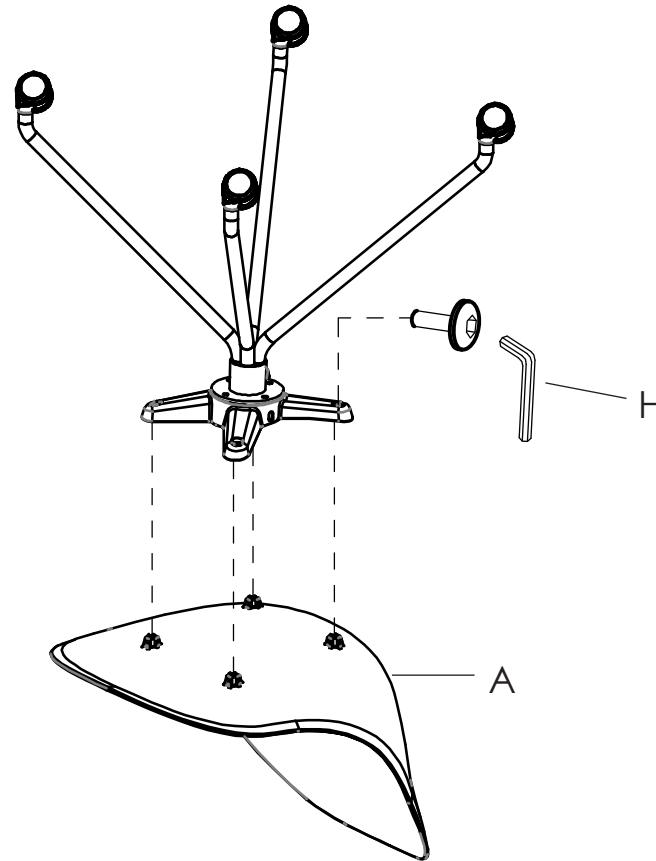
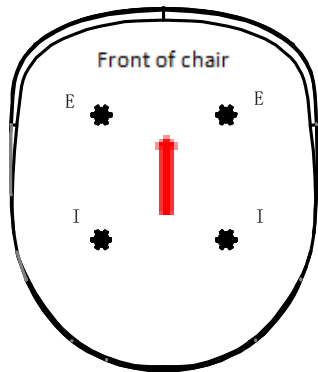
I (1 pc)

During assembly, hand tighten screws only. When the screws are in place, tighten completely.

eurow style

Assembly Instructions TAYTE Office Chair

PLEASE NOTE: Check that you have received all components and hardware before assembling. If you are missing any parts, contact your retailer.



Assemble the seat according to the corresponding letters. Letters E & E must face the front of the chair.

During assembly, hand tighten screws only. When the screws are in place, tighten completely.