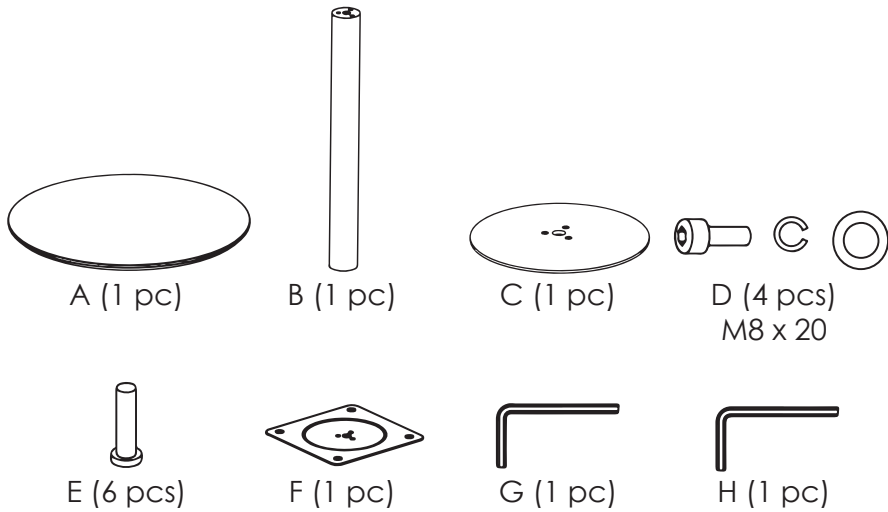


euø style

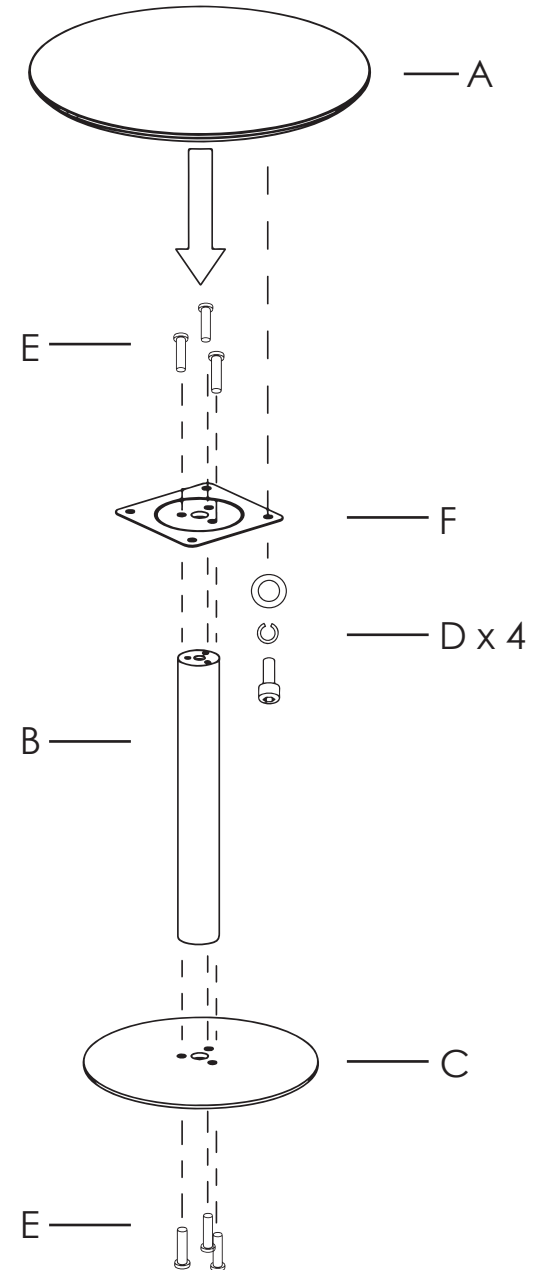
Assembly Instructions PARAS-32 Bistro Table



1.28.21 so

PLEASE NOTE: Check that you have received all components and hardware before assembling. If you are missing any parts, contact your retailer.

1



During assembly, hand tighten screws only. When the screws are in place, tighten completely.