



LIVING SPACES



Scan QR code to view assembly video

1

Box 1 - SKU#

244018 -Beige Umbrella

244022 -Grey Umbrella

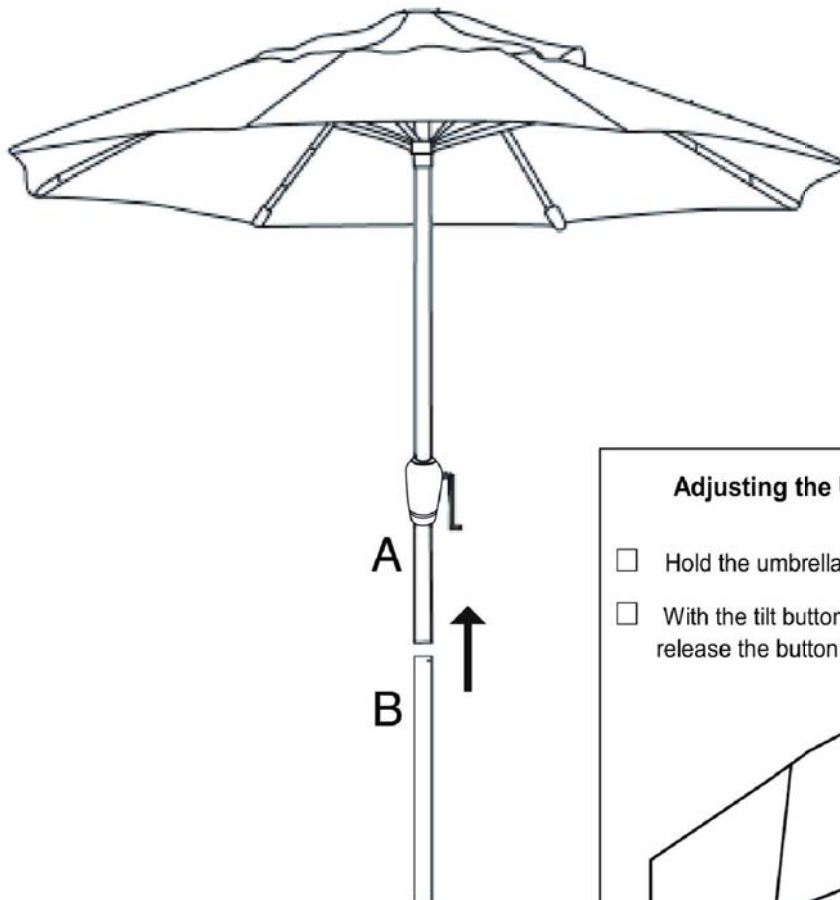
244024 -Navy Umbrella

255144 -Stripe Umbrella

267848 -Crystal Blue Umbrella

267852 -Terracotta Umbrella

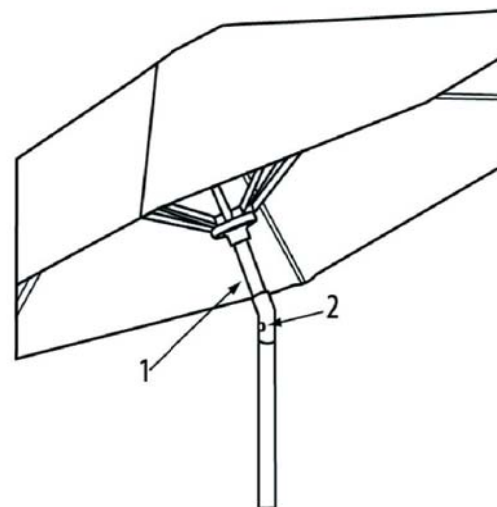
282667 -Ivory Umbrella



Part #	Image	Qty
A		1
B		1

Adjusting the Umbrella Tilt

- Hold the umbrella pole (1) above the tilt button, and press the tilt button (2) inward.
- With the tilt button pushed inward, move the umbrella to the desired position, then release the button to lock in place.



TS1778.1
OUTDOOR MARKET UMBRELLA



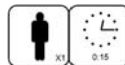


LIVING SPACES

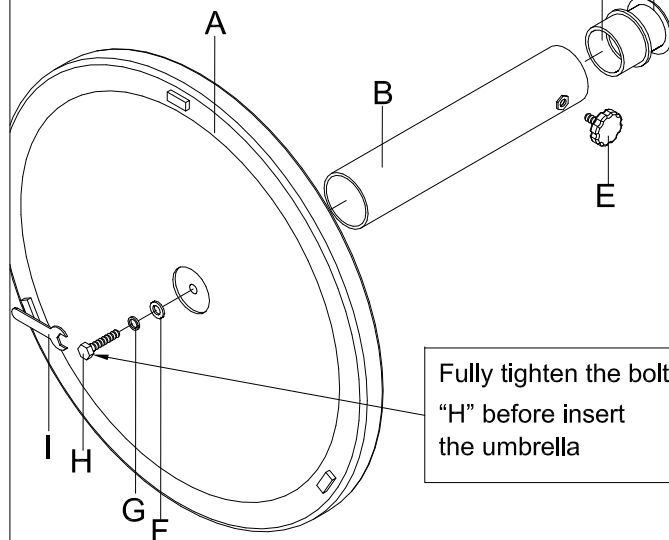
Box2-SKU# 244010

Part #	Image	Qty
A C135-A		1
B C135-B		1
C C135-C		1
D C135-D		1
E C135-E		1
F C135-F		1
G C135-G		1
H C135-H		1
I C135-I		1

C135 / SKU# 244010
OUTDOOR MARKET UMBRELLA BASE

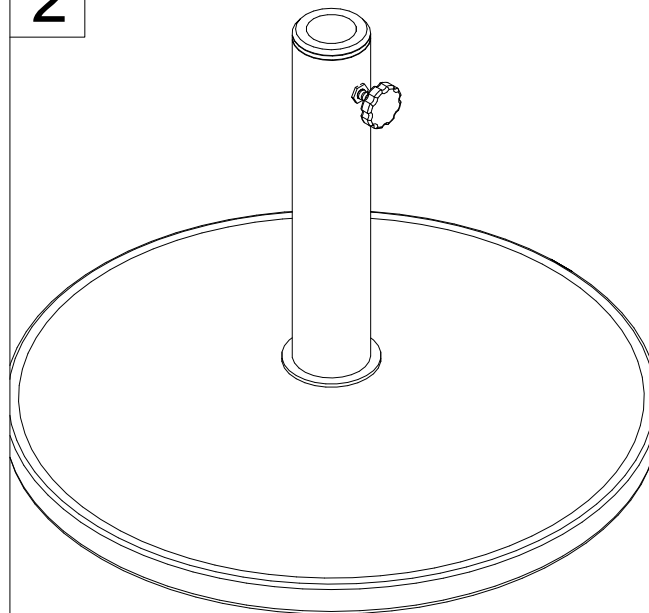


1

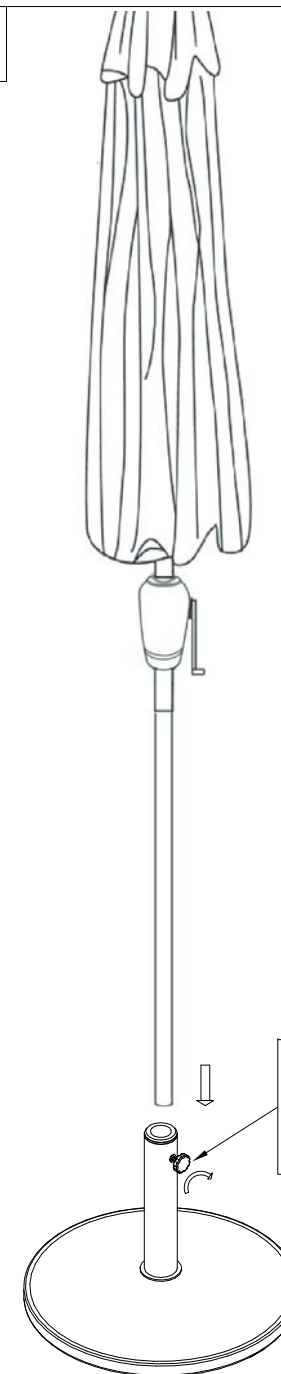


Fully tighten the bolt "H" before insert the umbrella

2



3



Fully tighten the bolt "E" after insert the umbrella

Remarks on Safety Warning:

when the umbrella is not in use, the umbrella should be in closed position.
In case of wind, the umbrella is recommended to close and store inside.