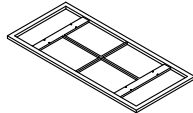
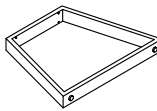
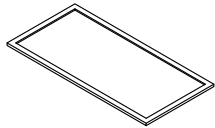


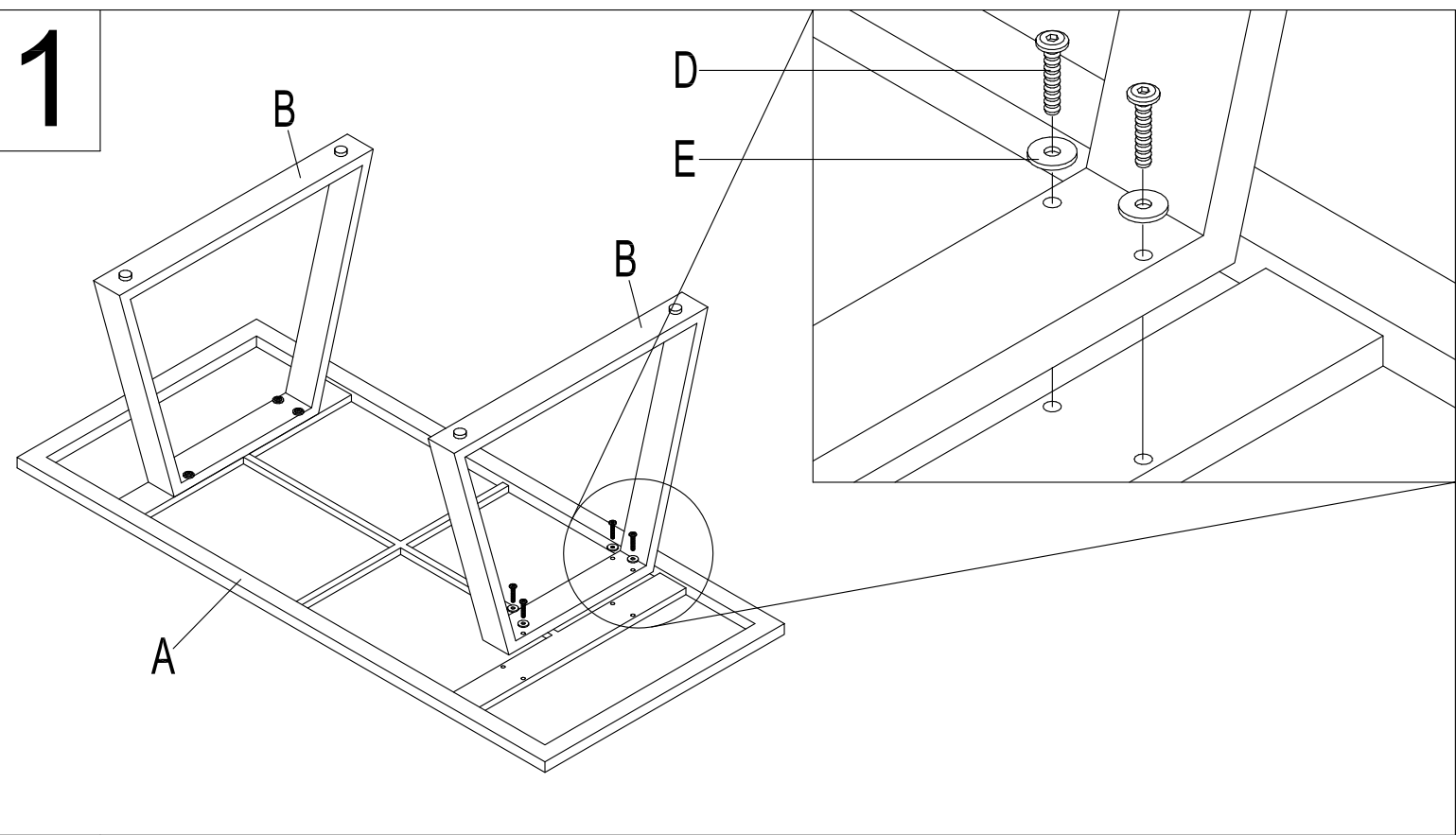


# 1

<b>A</b>	JRR2103.T2-A		x 1
<b>B</b>	JRR2103.T2-B		x 2
<b>C</b>	JRR2103.T2-C		x 1
<b>D</b>	JRR2103.T2-D	 M8 x 45	x 8
<b>E</b>	JRR2103.T2-E	 Dia 25/9 x 2	x 8



282656  
ACE OUTDOOR DINING TABLE

# 2

