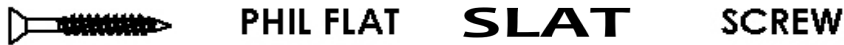
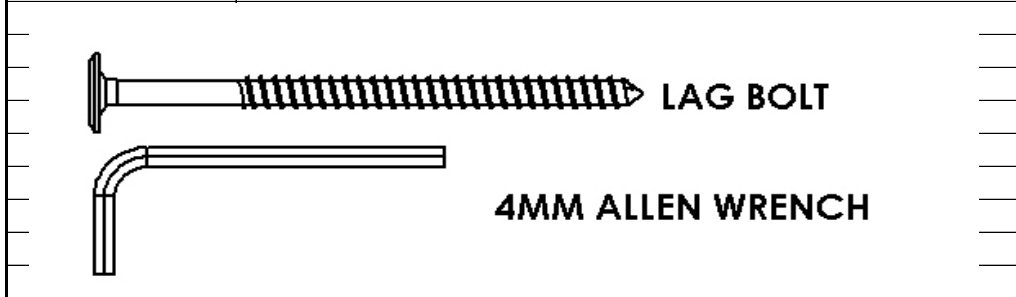


DAY BED FRAME HARDWARE	
QTY:	DESCRIPTION:
10	100MM DECORATIVE HEAD LAG BOLTS
1	4MM ALLEN WRENCH
10	6X1 1/4" PHIL FLAT SLAT SCREW
1	4MM POWER DRILL DRIVER
2	1/4-20X9/16 BRONZE WELD NUT
2	1/4X40MM KD BOLT BRONZE



MATEO / COTTAGE COLLECTION TWIN/FULL DAY BED

7030-01115

4246/4247
TWIN

4246/4248
FULL

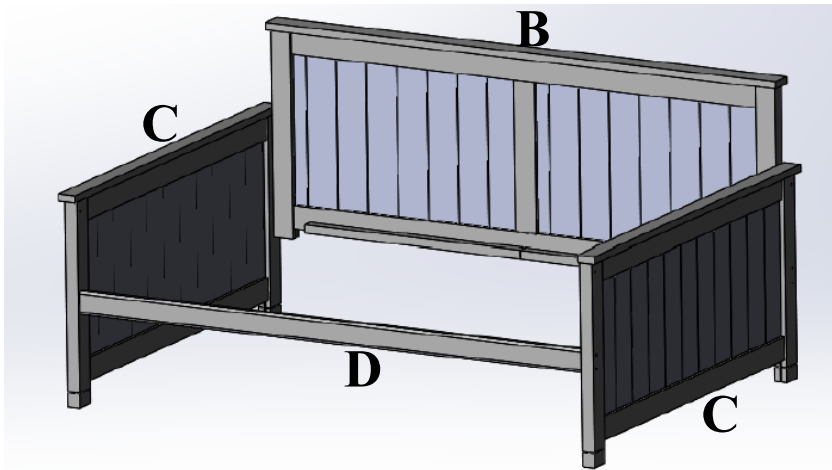
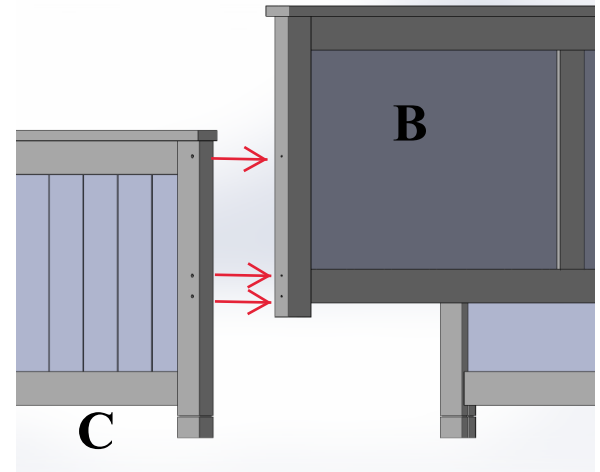


Exhibit A (rear view)



PARTS LIST

- A) 10 -4" Decorative Lag Bolts
- B) 1 -Long Bed Back
- C) 2 -Twin or Full Bed Ends
- D) 1 -3 1/4" x 78" Mattress Rails w/Support Cleats.
- E) 3 -3 1/2" x 38 3/4"(Twin) or 53 3/4"(Full) Mattress Slats
- F) 10 -1 1/4" Slat Screws
- G) 1 -4MM Driver for power drill
- H) 2 -1/4-20 x 9/16 Bronze Weld Nut
- I) 2 -1/4 x 40MM KD Bolt Bronze

BE SURE LAG BOLTS ARE **STARTED** INTO THE HOLES ON THE FRAME RAILS BEFORE TIGHTENING. FRAME RAIL MAY SPLIT IF LAG IS CROOKED ON TIGHTENING.

MAKE SURE THAT THE 4MM DRIVER IS FULLY SEATED INTO BOLT HEAD BEFORE TURNING!
IT WILL STRIP HEAD IF NOT FULLY SEATED

TOOLS REQUIRED:

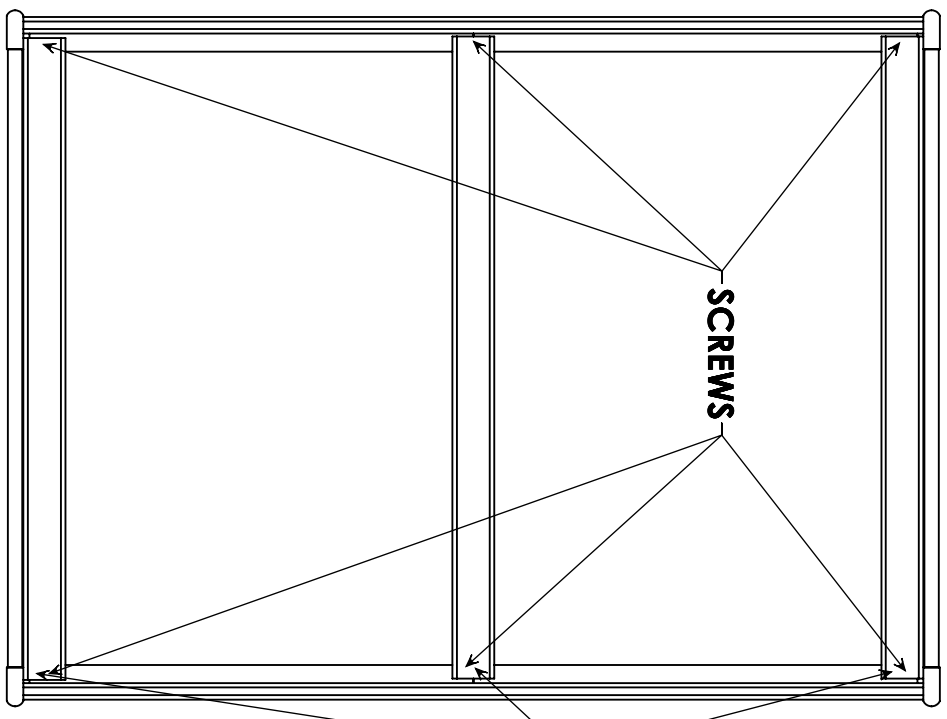
- 1) 4 MM Allen Wrench (INCLUDED) - recommend a driver be used with driver bit.
- 2) Phillips Head Screwdriver - recommend phillips bit with driver

Make sure you have all parts before beginning assembly. If you need a part, contact Living Spaces.

- 1) Lift Day bed back (B) to align assembly holes in bed ends (C) to long bed back (B) and *start* 6 lag screws (A) into back (B). Do Not tighten. Shown in exhibit A.
- 2) Attach mattress rail (D), to bed ends (C) with four lag bolts (A) and lightly tighten all bolts from steps 1 and 2.
- 3) Now go back around and torque lags to tight.
- 4) Roll out Slat Roll across bed surface on top of mattress support cleats as shown in dieagram 2 next page.
- 5) Secure the 4 corners of the Slat Roll with 4 Slat screws (F). Lay 3 loose slats (E) in the 3 open gaps in the Slat Roll and secure with 2 Slat screws each, into mattress support cleats.
** IF a slat roll is not used, install 3 loose slats as shown in diagram 1 next page **
- 6) Add mattress

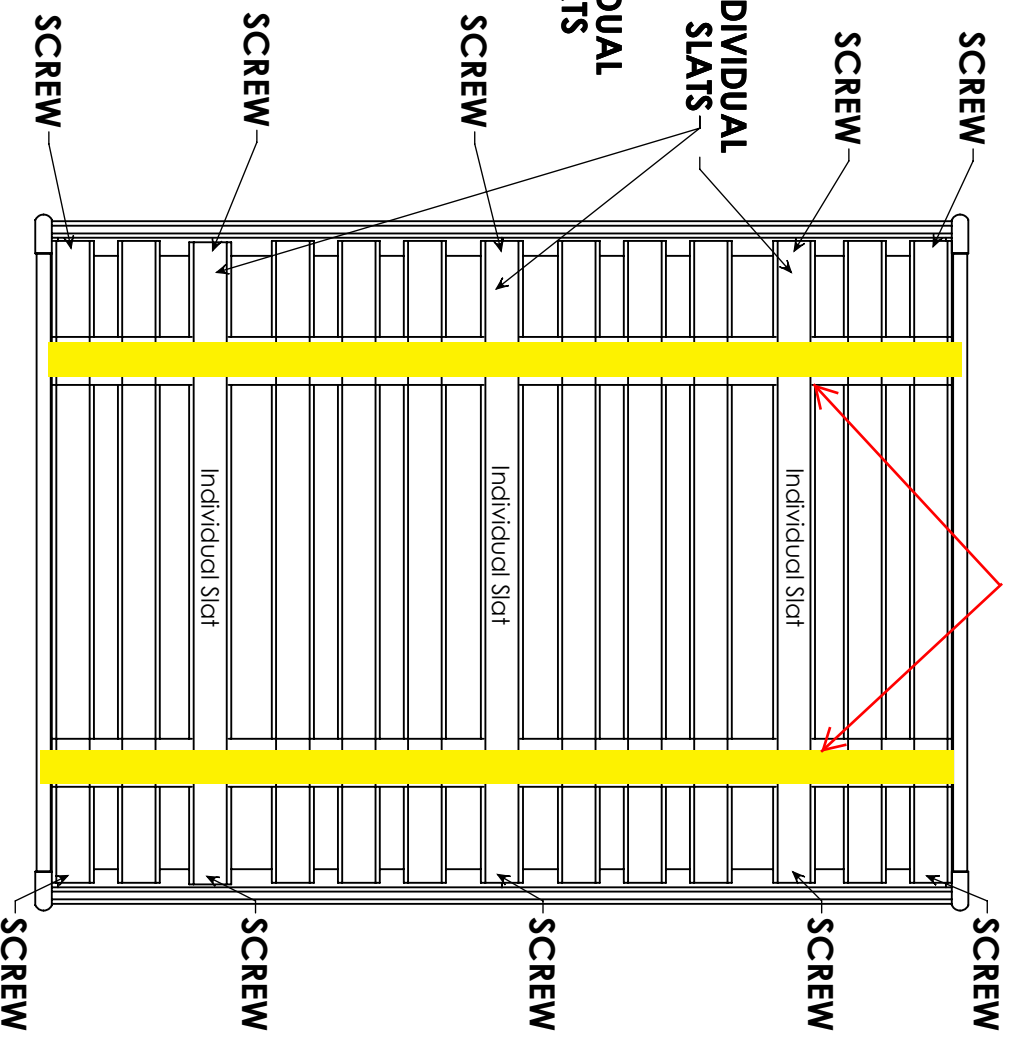
When used with a slot roll, the three individual slats should be placed evenly in the gaps and underneath the strapping before fastening.

Diagram 1



Installation of individual slats for use with Bunkie Board (Bunkie Board sold separately) See your retailer for purchase of Bunkie Board

Diagram 2



Installation of individual slats for use with Slot Roll (Slot roll sold separately) See your retailer for purchase of Slot Roll

COTTAGE DAY BED DECORATIVE CAPS

- 1) Use the included 2 decorative cap screws and nuts to fill the unused holes on the headboard and footboard.
- 2) Insert the cap nut into the back side of each unused hole.
- 3) Insert the decorative cap screw into the front side of each hole and tighten.

