



euro style™

Assembly Instructions

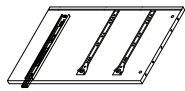
Gilbert File Cabinet

Required
for Assembly:

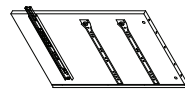


Phillips
Screwdriver

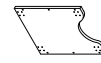
PLEASE NOTE: Check that you have received all components and hardware before assembling. If you are missing any parts, contact your seller.



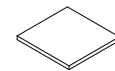
A x 1



B x 1

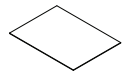


C x 1



D x 1

20"x16.5"x1.25"



E x 1

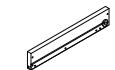
20"x15.5"x0.1"



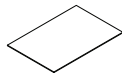
F x 2



G x 2



H x 2

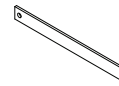


I x 2

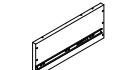
17"x13.5"x0.1"



J x 2



K x 2



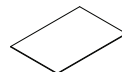
L x 1

17.75"x10"x0.5"



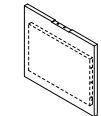
M x 1

17.75"x10"x0.5"

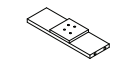


N x 1

17"x13.5"x0.1"



O x 1



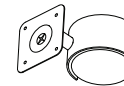
P x 1



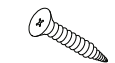
Q x 1



R x 3



S x 1



T x 4

#3x16mm



U x 4



V x 4

φ6.7x35mm



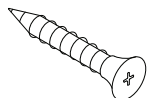
W x 4

φ15x11mm



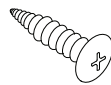
X x 6

#7x38mm



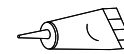
Y x 28

#4x25mm



Z x 20

#3.5x12mm



A1 x 1



B1 x 4

φ6x30mm



C1 x 10

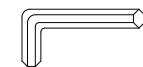
φ8x30mm



D1 x 2



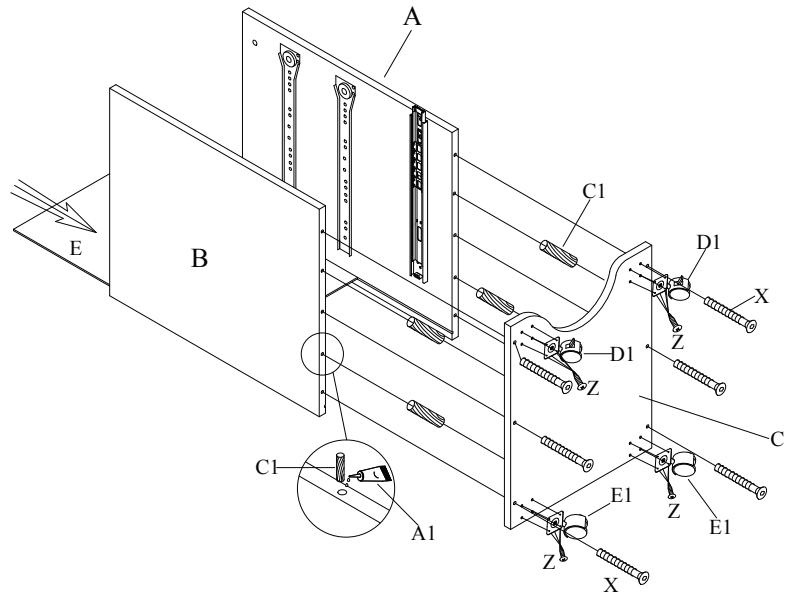
E1 x 2



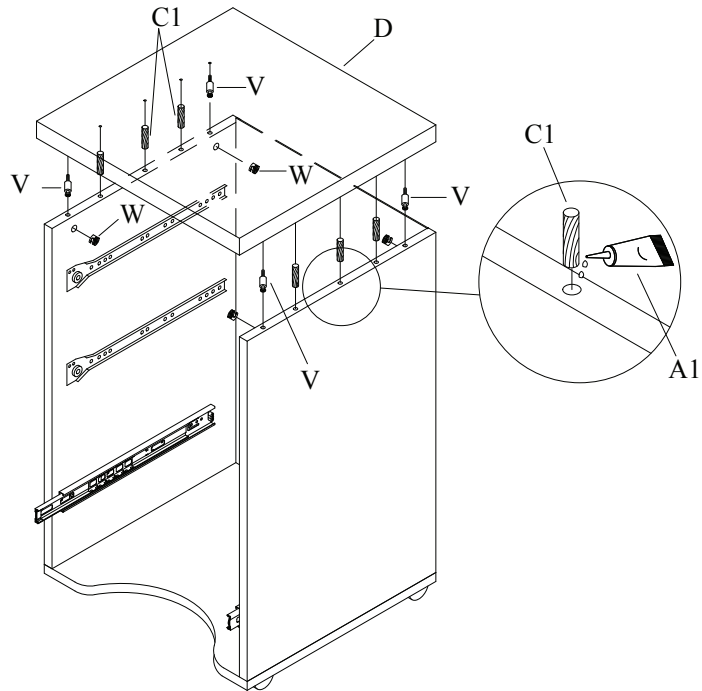
F1 x 1

N4

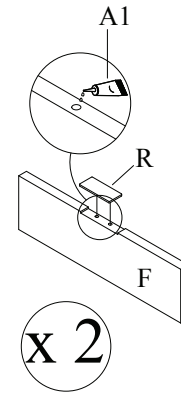
1



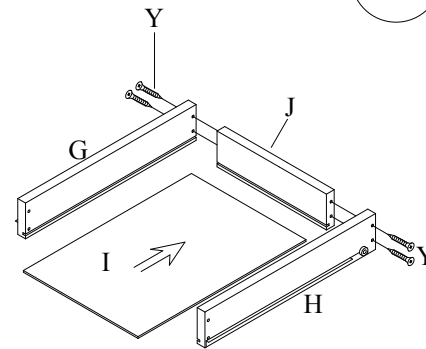
2



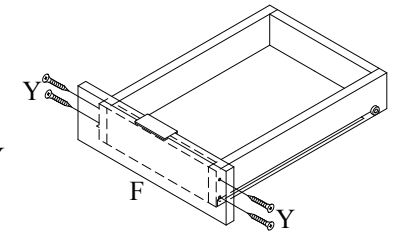
3



x 2

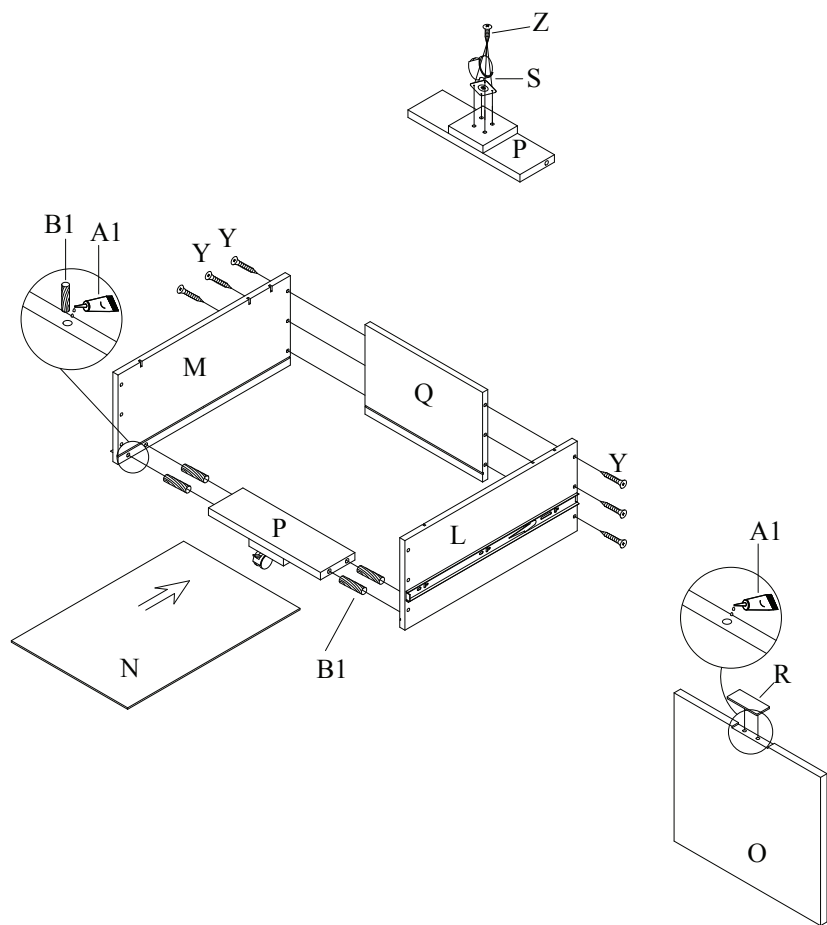


x 2

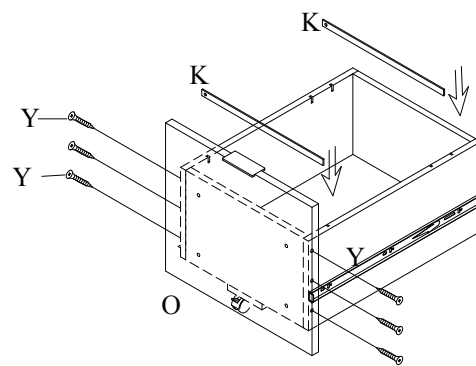


x 2

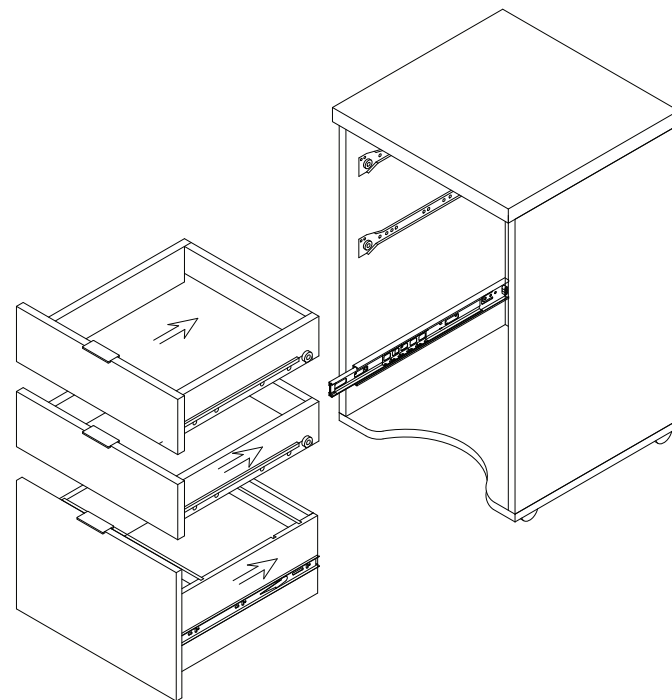
4



5



6



7

