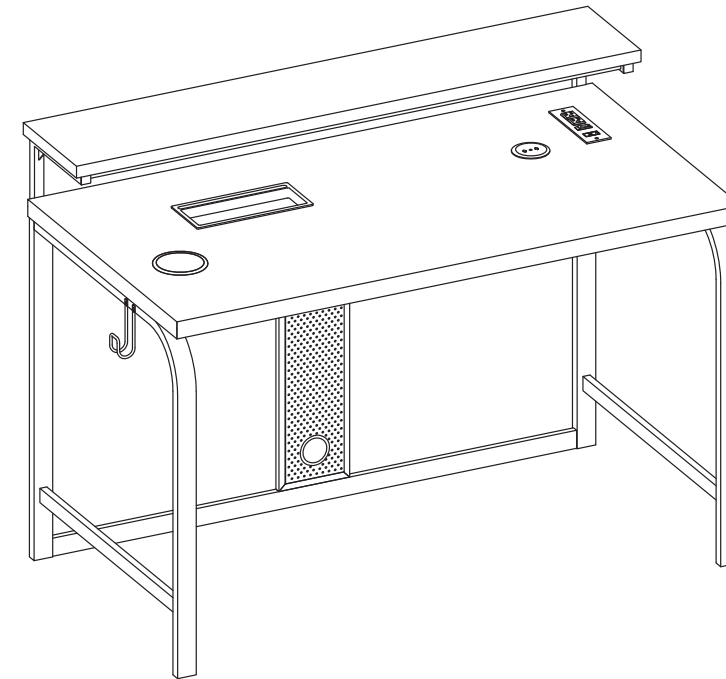


LIVING  
SPACES

**RLD4826GD**  
**RELOAD 48" GAMING DESK**  
ASSEMBLY INSTRUCTIONS

IMPORTANT-PLEASE KEEP THESE INSTRUCTIONS IN CASE OF ANY CUSTOMER SERVICE ISSUES

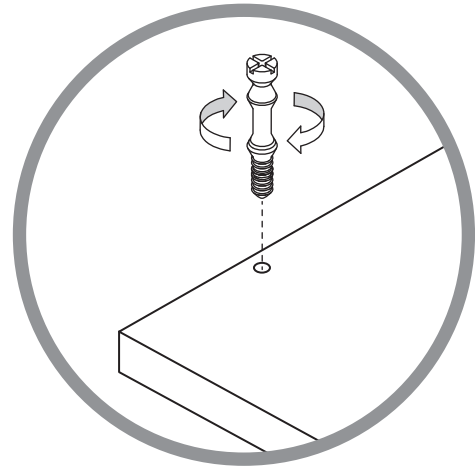
IMPORTANT-PLEASE KEEP THESE INSTRUCTIONS IN CASE OF ANY CUSTOMER SERVICE ISSUES



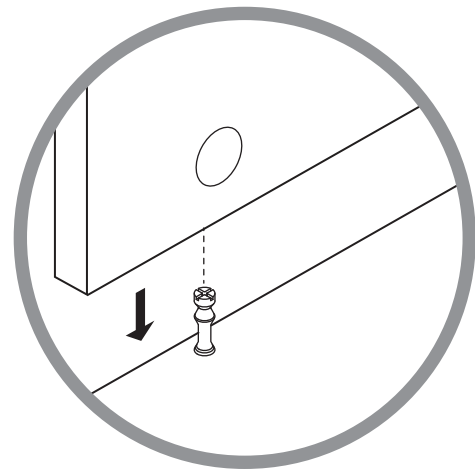
**WARNING**

1. Use this product only one person at a time.
2. Do not use this product unless all bolts screws and knobs are securely tightened.
3. Check that all bolts screws and knobs are tight every three months or as needed.
4. Do not overturn back tilt knob when decreasing tension.
5. Dispose of packing material properly. Do not use plastic cover as head covering. It may cause suffocation.
6. Do not use product as a stepladder.
7. Use this product for its intended purpose only.
8. Use mild detergent only for cleaning.

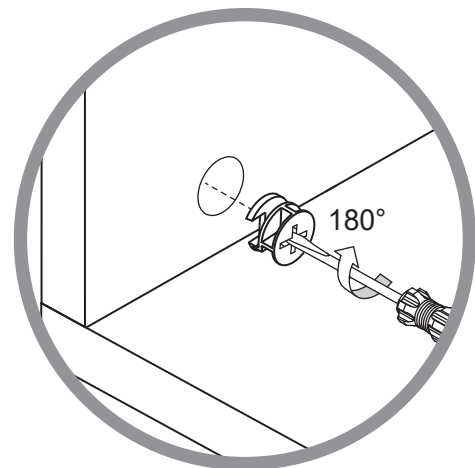
# CAM LOCK INSTALLATION



Screw Cam Screw in. Fully Tighten.



Align hole in panel with Cam Screw.



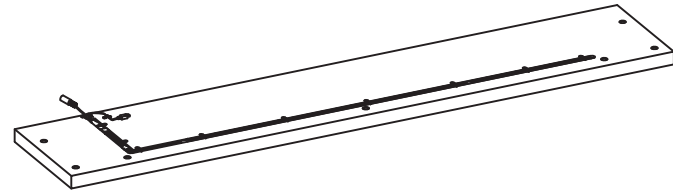
Screw Cam Nut in. Turn clock-wise until you feel Cam Nut securely fasten to Cam Screw. Fully tighten Cam Nut.

# HARDWARE LIST

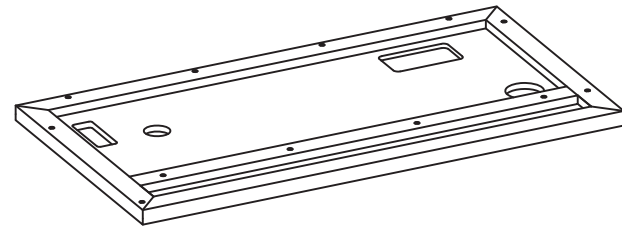
NO	DRAWING	DESCRIPTION	SIZE	QUANTITY
A		Allen Bolt	6 x 12 x 10mm	8 PCS
B		Allen Bolt	6 x 32 x 10mm	16 PCS
C		Allen Bolt	6 x 45 x 10mm	2 PCS
D		Flat Head Allen Bolt	6 x 25 x 10mm	2 PCS
E		Flat Head Allen Bolt	6 x 32 x 10mm	7 PCS
F		Allen Wrench	∅	1 PC
G		Machine Screw	4 x 10 x 8mm	2 PCS
H		Wood Screw	3.5 x 12 x 6mm	2 PCS

Phillips Screwdriver also needed for assembly (not provided).

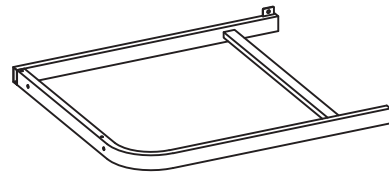
# PARTS



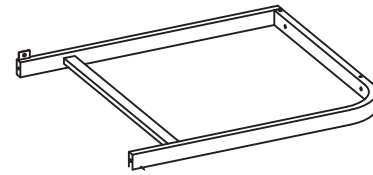
(1) Top Shelf (1 PC)



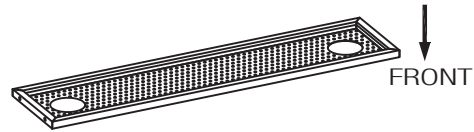
(2) Desktop (1 PC)



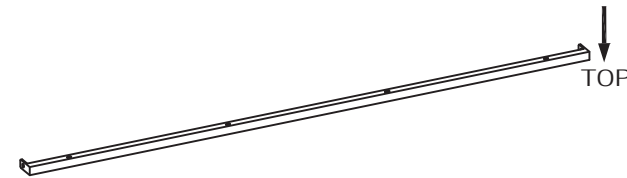
(3) Left Side Frame (1 PC)



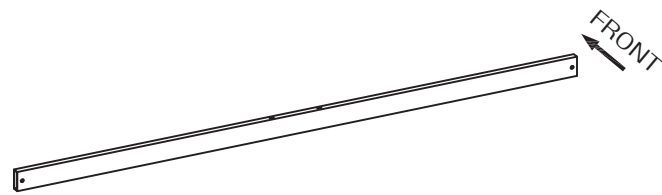
(4) Right Side Frame (1 PC)



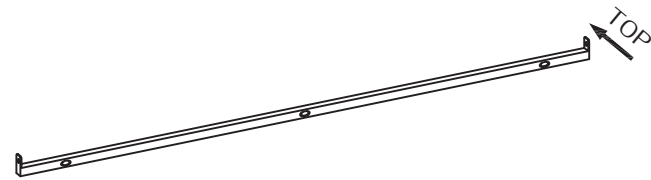
(5) Rear Frame (1 PC)



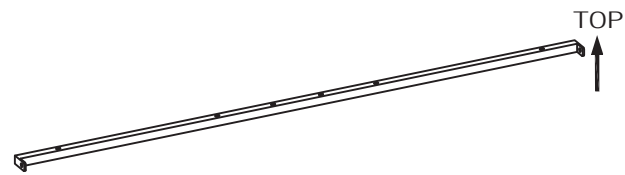
(6) Middle Front Crossbar (1 PC)



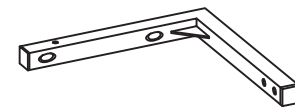
(7) Rear Lower Crossbar (1 PC)



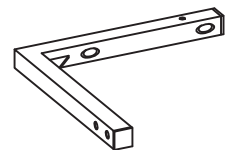
(8) Upper Cross Bar (1 PC)



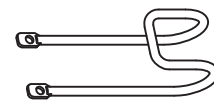
(9) Rear Upper Crossbar (1 PC)



(10) Left Upper Frame (1 PC)



(11) Right Upper Frame (1 PC)



(12) Accessory Hook (1 PC)

# PART



(13) Cup Holder (1 PC)



(14) Wireless Charger (1 PC)



(15) Power Outlet (1 PC)



(16) Remote (1 PC)

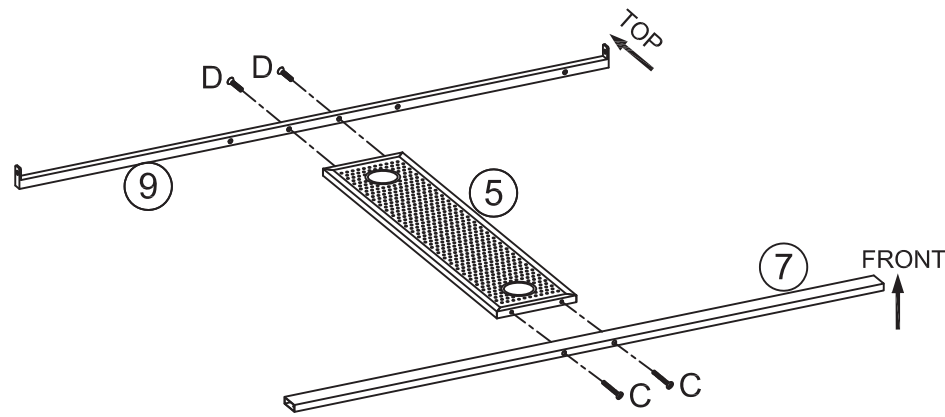


(17) LED Power Supply (1 PC)

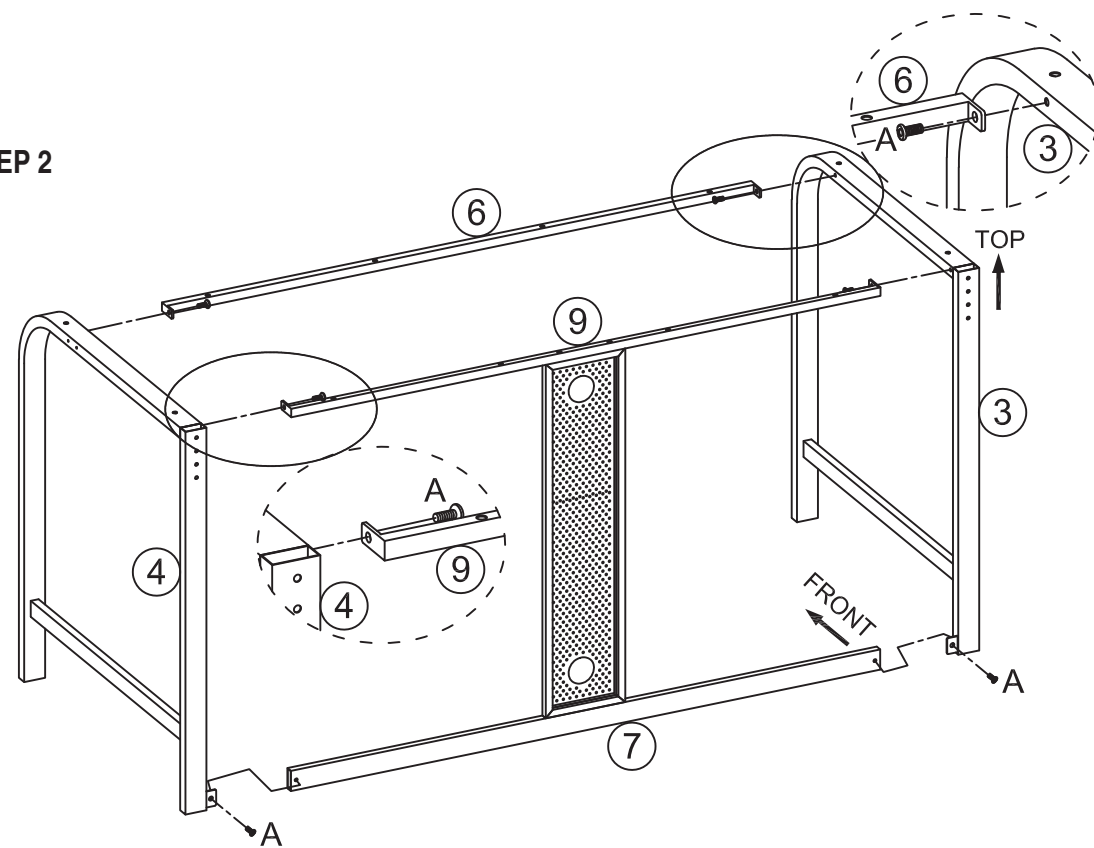


(18) Storage Tray (1 PC)

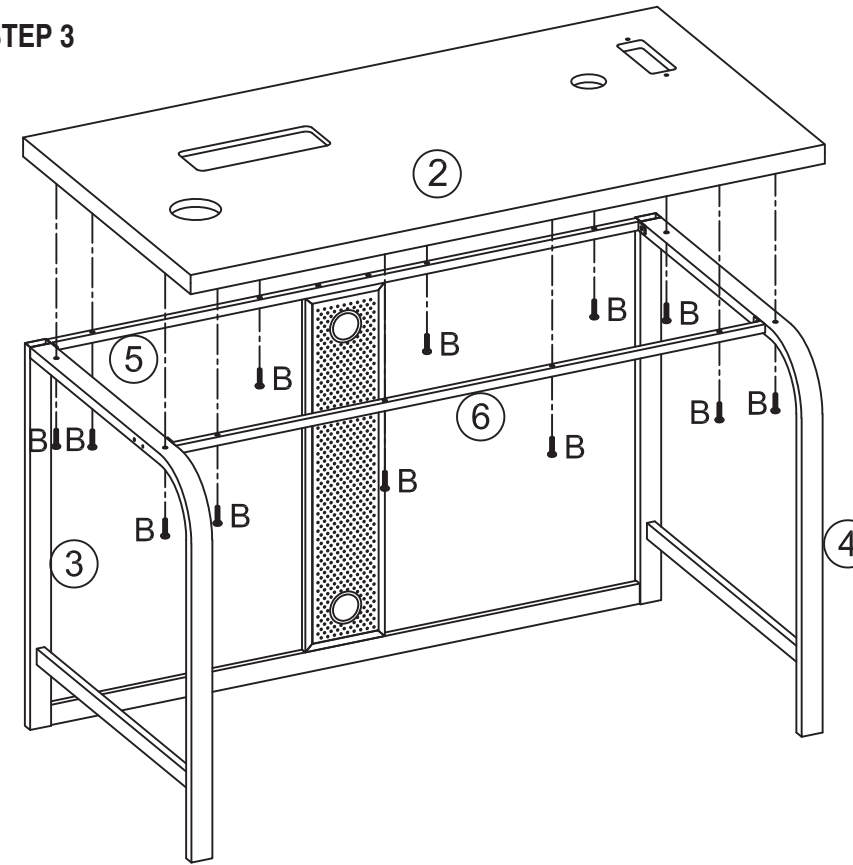
STEP 1



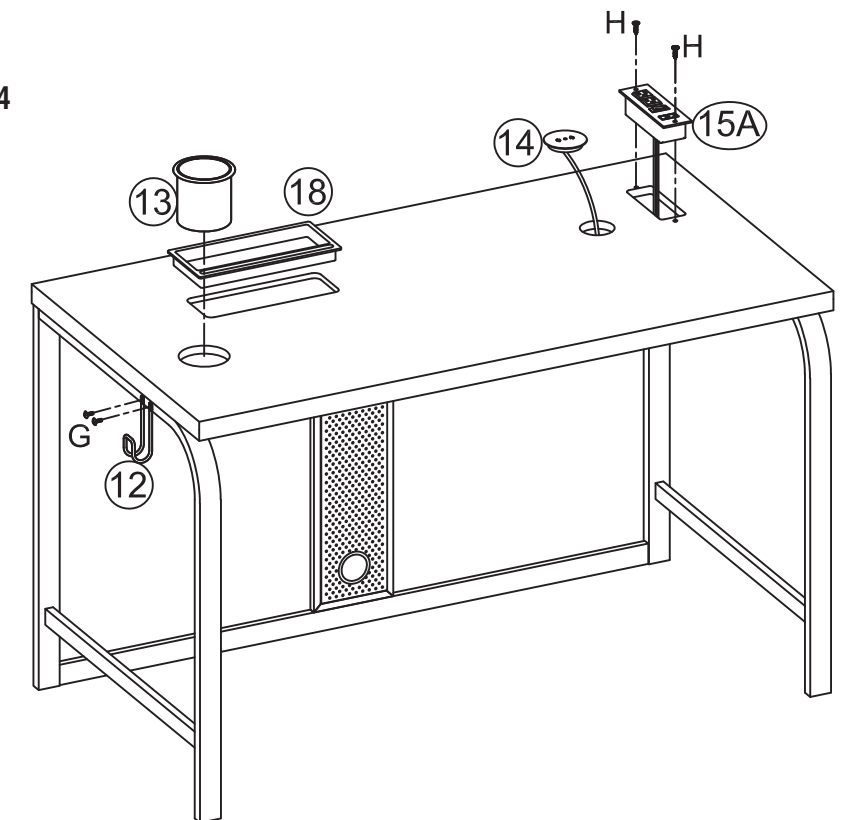
STEP 2



STEP 3



STEP 4



Remove all the parts from carton, separate them into part numbers indicated on the list and make sure part quantities are correct.

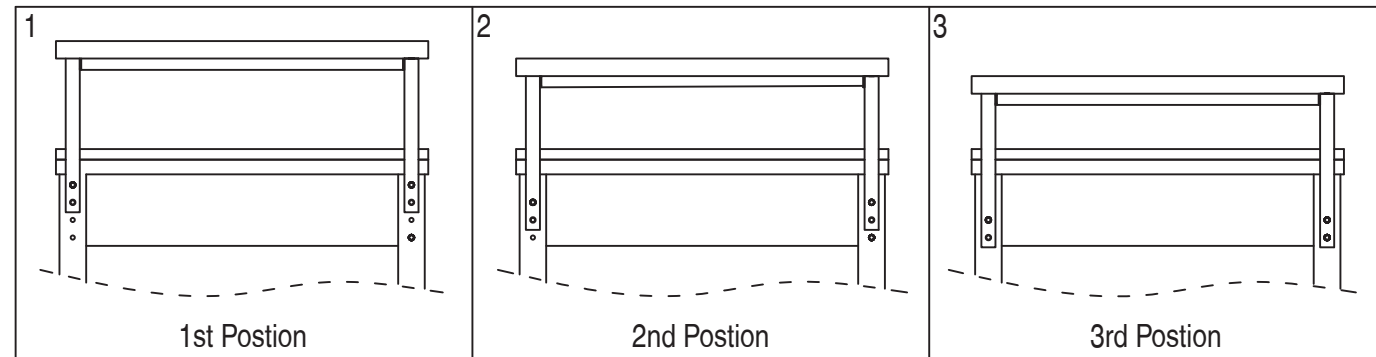
**STEP 1** Attach Rear Lower Crossbar (7) and Rear Upper Crossbar (9) to Rear Frame (5) using two Allen Bolts (C) and two Flat Head Allen Bolts (D). **FULLY TIGHTEN ALL BOLTS.**

**STEP 2** Attach Left Side Frame (3) and Right Side Frame (4) to Middle Front Cross Bar (6), Rear Lower Crossbar (7) and Rear Upper Crossbar (9) using three Allen Bolts (A) for each side frame. **FULLY TIGHTEN ALL ALLEN BOLTS (A).**

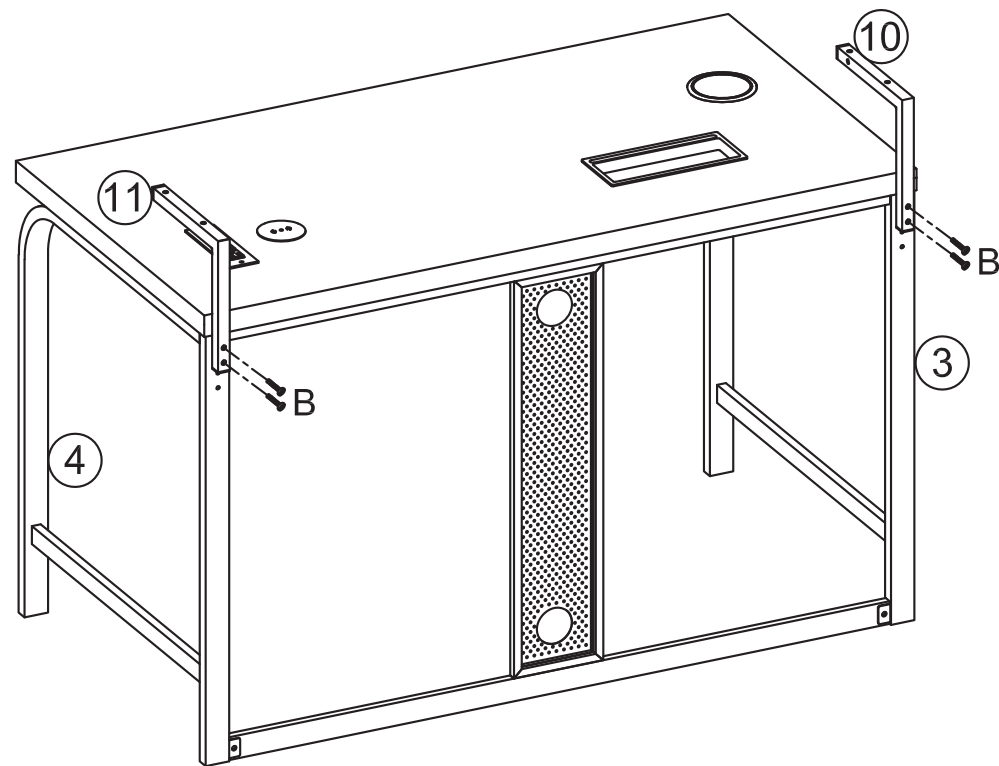
**STEP 3** Attach Desktop (2) to assembly and secure using twelve Allen Bolts (B). **FULLY TIGHTEN ALL ALL ALLEN BOLTS (B).**

**STEP 4** Attach Cup Holder (13), Wireless Charger (14) and Storage Tray (18) to desktop. Secure Power Outlet (15) to desktop using two Wood Screws (H). Secure Accessory Hook (12) to side of desk using two Machine Screws (G). **FULLY TIGHTEN ALL SCREWS.**

STEP 5

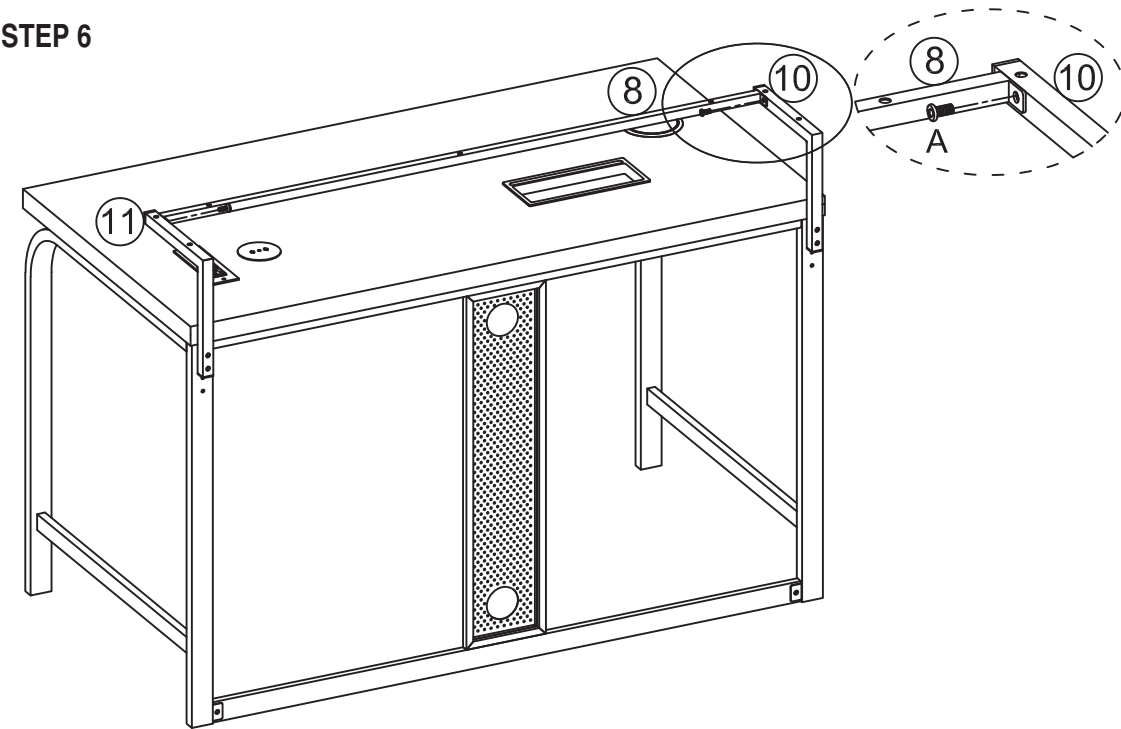


NOTE: There are THREE different positions for the Add-On Shelves as show in Figure 1.  
 Please decide your preferred height at this time

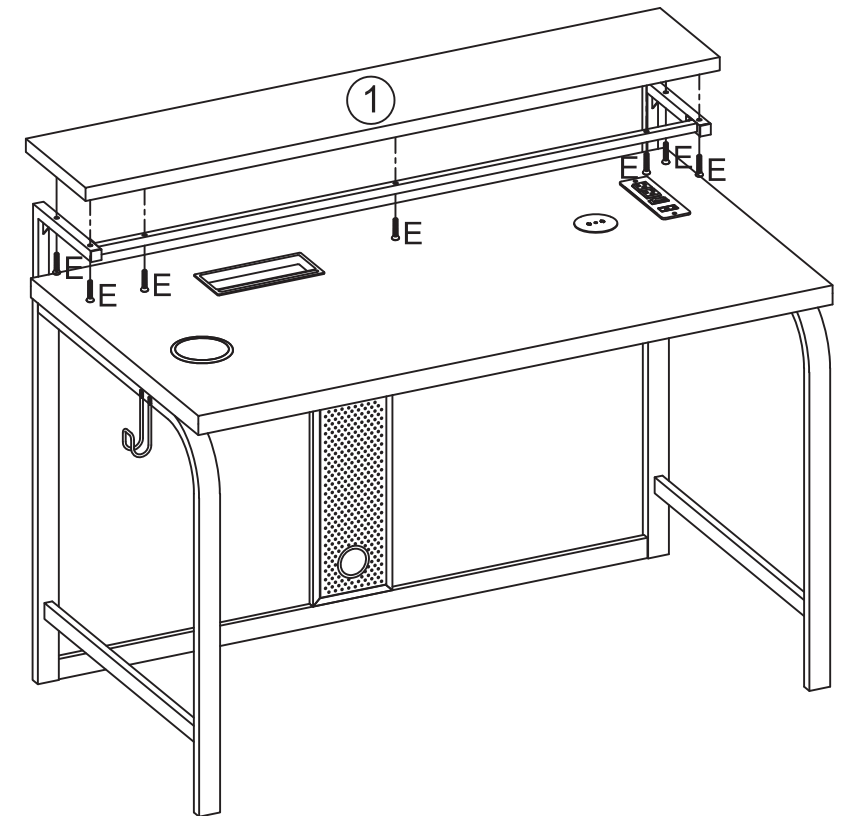


**STEP 5** Secure Left Upper Frame (10) and Right Upper Frame (11) to rear of assembly using two Allen Bolts (B) for each frame. **FULLY TIGHTEN ALL ALLEN BOLTS (B).**

STEP 6



STEP 7

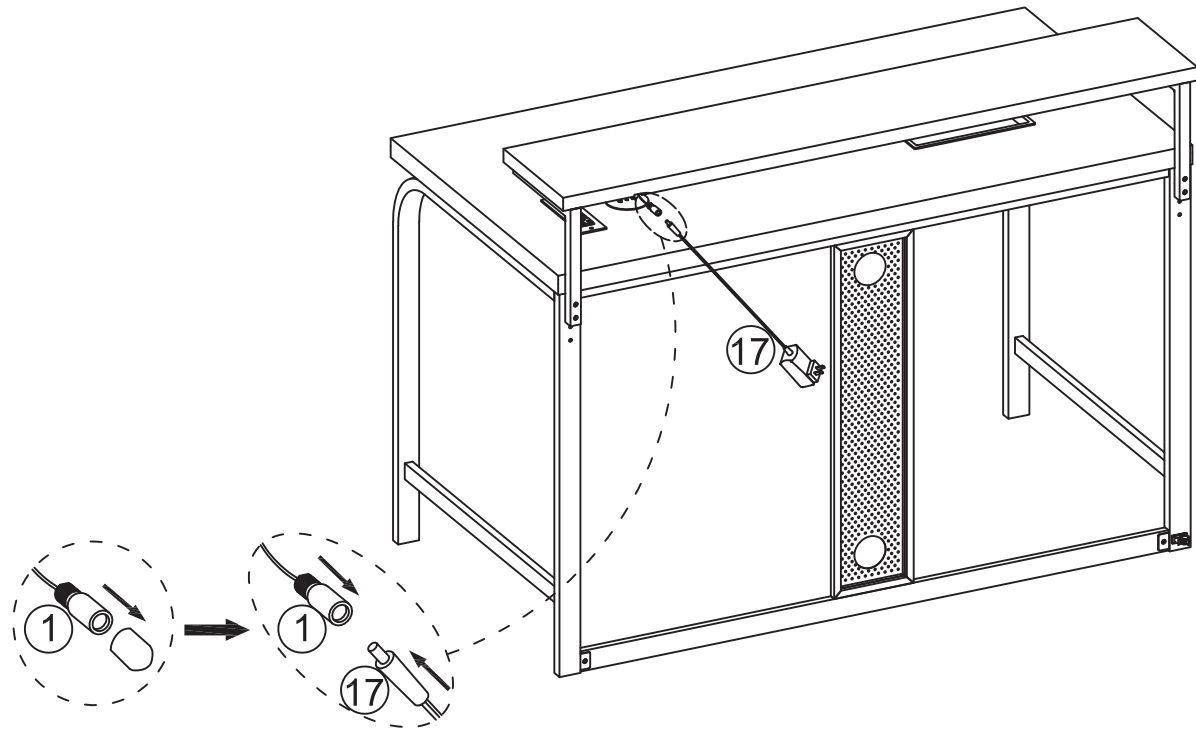


**STEP 6** Secure Upper Crossbar (8) between Left Upper Frame (10) and Right Upper Frame (11) using two Allen Bolts (A). **FULLY TIGHTEN ALLEN BOLTS (A).**

**STEP 7** Secure Top Shelf (1) to assembly using seven Flat Head Allen Bolts (E). **FULLY TIGHTEN ALL FLAT HEAD ALLEN BOLTS (E).**

**RLD4826GD  
RELOAD 48" GAMING DESK  
ASSEMBLY INSTRUCTIONS**

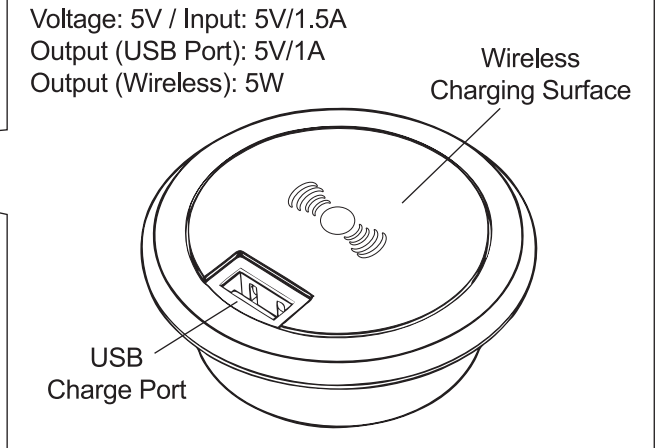
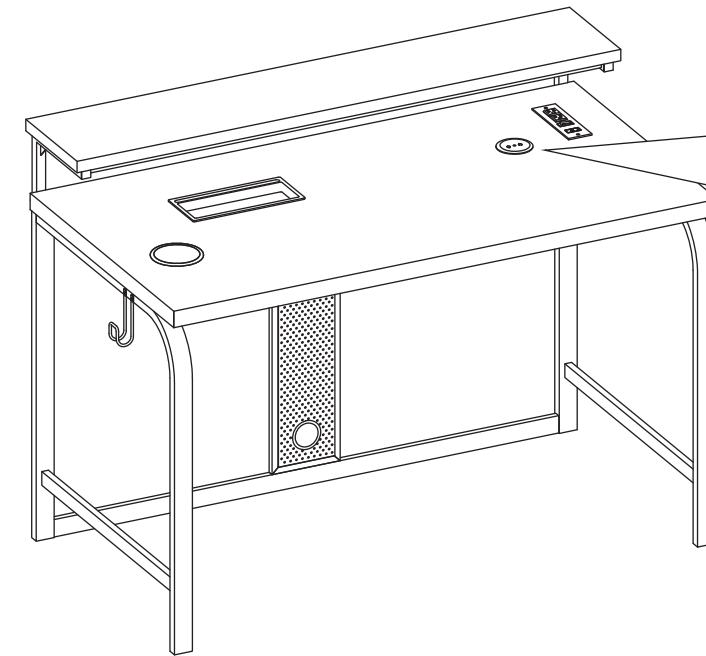
**STEP 8**



**STEP 8** Connect cord of Top Shelf (1) to LED Power Supply (17).

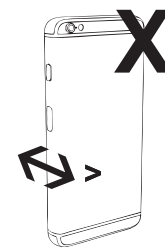
**WIRELESS CHARGER - SAFETY WARNINGS & INSTRUCTIONS FOR USE**

Your desk includes wireless charging capabilities using the wireless charger as shown. Please carefully follow the instructions and safety warnings below before using the wireless charger with your supported device.

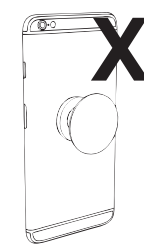


**NOTE:** The wireless charger included supports most devices with wireless charging capabilities. Please consult your device's OEM instruction manual for proper wireless charging use, safety warnings, and limitations. Stop using the wireless charger IMMEDIATELY if your device becomes hot. Improper use of the wireless charger, using non-compatible devices, or tampering with the wireless charger in any way may cause device failure, damage, or injury.

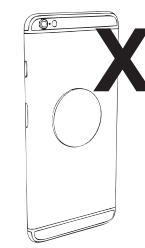
**SAFETY WARNINGS - PLEASE READ FIRST**



Devices with **cases thicker than 4mm** may not allow wireless charging. Remove the case from the device or use the USB port for wired charging instead.



Devices with **rings, kickstands, or finger grip accessories** will not allow wireless charging. Remove the accessories or use the USB port for wired charging instead.



**DO NOT** attempt to wireless charge devices with metallic cases, metallic attachments, or magnetic attachments. Remove the device from such cases or use the USB port for wired charging instead.



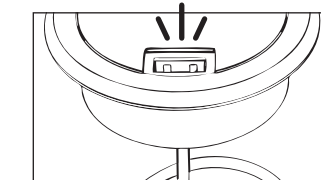
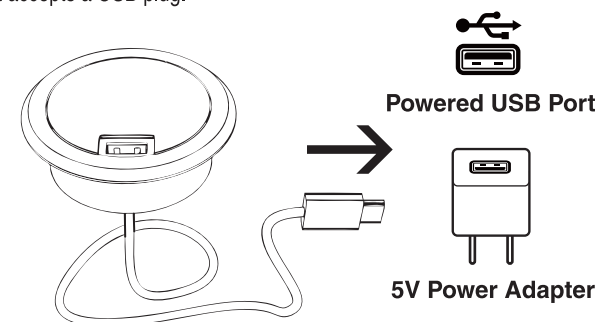
**DO NOT** allow any metallic foreign objects or liquids to come in contact with the wireless charger. Only devices that support wireless charging should be put on the wireless charger surface.



Rotate the dust cover 90 degrees counter-clockwise to cover the USB charging port when not in use.

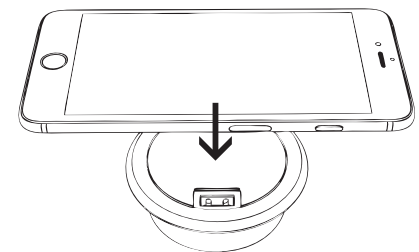
**To Power ON the Wireless Charger**

Plug the USB cable from the bottom of the wireless charger into any powered USB 2.0 port, or any 5V power adapter that accepts a USB plug.

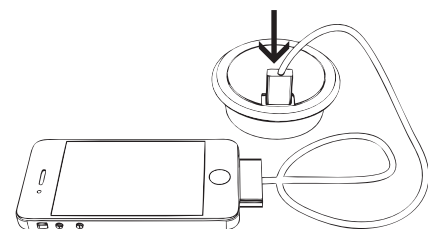


USB Port on wireless charger will light up **RED** once powered on. The charger is now ready to use.

**Using the Wireless Charger**  
To charge your device using wireless charging, place the device centered on the wireless charger face and wait for the device to indicate it has begun charging.



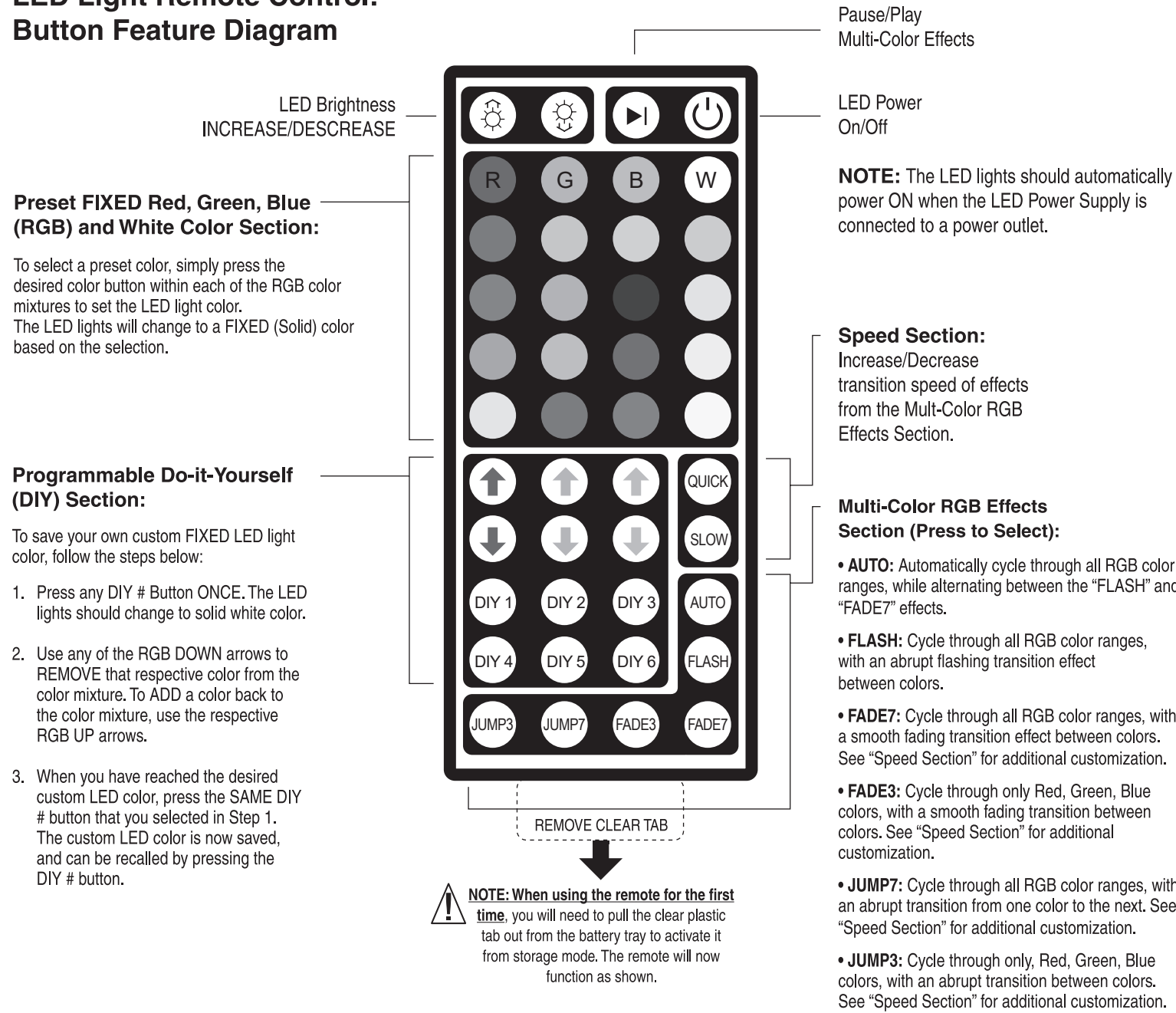
**Using the USB Charge Port**  
To charge your device using USB charging port, plug in your device's USB charging cord into the USB port as shown and wait for the device to indicate it has begun charging.



# LED LIGHT REMOTE CONTROL - INSTRUCTIONS FOR USE

Your desk includes an integrated LED light strip with customizable RGB LED lights. The lights are controlled using the included LED Remote Control. Please refer to the Button Feature Diagram below for an outline of the remote's functions. A Troubleshooting FAQ is also included below for frequently asked questions and general usage troubleshooting. This remote uses a single CR2025 3V Lithium coin battery, located in the pull out battery tray tab on the back-bottom edge of the remote.

## LED Light Remote Control: Button Feature Diagram



## TROUBLESHOOTING FAQ

Problem:	Solution:	Also Check:	Also Check:
<b>Q:</b> LED Lights won't turn on?	Press the Power ON/OFF button	Double check that the LED Power Supply is connected to the LED strip on the desk and the power supply is plugged into a power outlet.	Remove the clear tab from the battery tray on first use. After prolonged usage, the battery (CR2025-3V Lithium) may need to be replaced.
<b>Q:</b> DIY lights will not program?	When first programming the DIY section, the lights will start off white. Hold DOWN any of the RGB colored arrows firmly until you see the light begin to shift in color. Once a color range has been removed, it is easier to begin customizing the DIY color. Make sure to press the SAME DIY # button you first pressed during the programming process to save the custom color		

## FCC INSTRUCTIONS

**NOTE:** This equipment has been tested and found to comply with the limits for a Class B digital device, pursuant to Part 15 of the FCC Rules. These limits are designed to provide reasonable protection against harmful interference in a residential installation. This equipment generates, uses and can radiate radio frequency energy and, if not installed and used in accordance with the instructions, may cause harmful interference to radio communications. However, there is no guarantee that interference will not occur in a particular installation. If this equipment does cause harmful interference to radio or television reception, which can be determined by turning the equipment off and on, the user is encouraged to try to correct the interference by one or more of the following measures:

- Reorient or relocate the receiving antenna.
- Increase the separation between the equipment and receiver.
- Connect the equipment into an outlet on a circuit different from that to which the receiver is connected.
- Consult the dealer or an experienced radio/TV technician for help.

-- This device complies with Part 15 of the FCC Rules. Operation is subject to the following two conditions: (1) This device may not cause harmful interference, and (2) this device must accept any interference received, including interference that may cause undesired operation.

-- Instructions shall caution users that modifications not approved by the party responsible for compliance could void user's authority to operate the equipment.

**FC**  
Office Star Products  
Model Number: