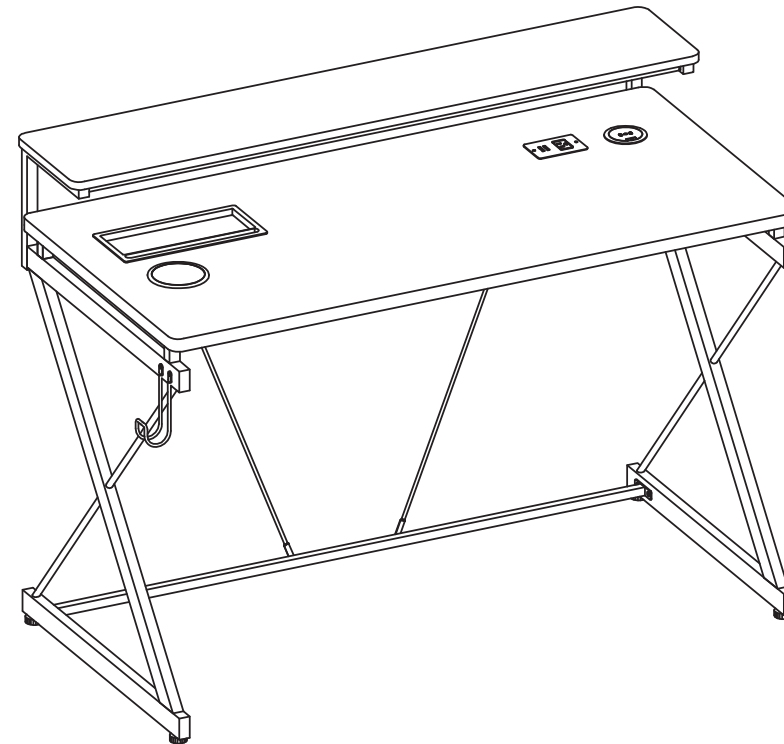


## FCC INSTRUCTIONS

NOTE: This equipment has been tested and found to comply with the limits for a Class B digital device, pursuant to Part 15 of the FCC Rules. These limits are designed to provide reasonable protection against harmful interference in a residential installation. This equipment generates, uses and can radiate radio frequency energy and, if not installed and used in accordance with the instructions, may cause harmful interference to radio communications. However, there is no guarantee that interference will not occur in a particular installation. If this equipment does cause harmful interference to radio or television reception, which can be determined by turning the equipment off and on, the user is encouraged to try to correct the interference by one or more of the following measures:

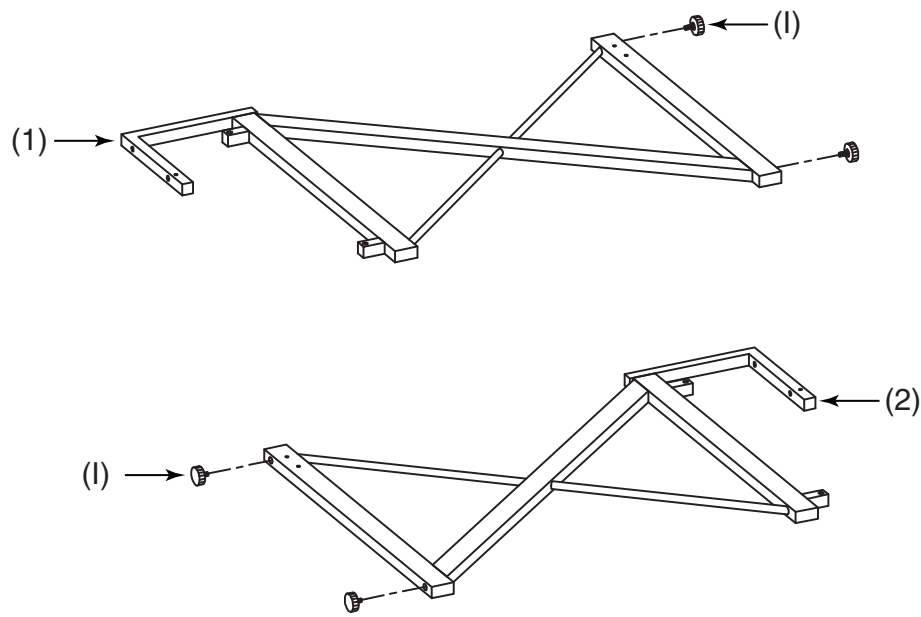
- Reorient or relocate the receiving antenna.
  - Increase the separation between the equipment and receiver.
  - Connect the equipment into an outlet on a circuit different from that to which the receiver is connected.
  - Consult the dealer or an experienced radio/TV technician for help.
- This device complies with Part 15 of the FCC Rules. Operation is subject to the following two conditions: (1) This device may not cause harmful interference, and (2) this device must accept any interference received, including interference that may cause undesired operation.
- Instructions shall caution users that modifications not approved by the party responsible for compliance could void user's authority to operate the equipment.



### **WARNING**

1. Do not use unless all bolts screws and knobs are securely tightened.
2. Check that all bolts screws and knobs are tight every three months or as needed.
3. Dispose of packing material properly. Do not use plastic cover as head covering. It may cause suffocation.
4. Do not use as a stepladder.
5. Use for its intended purpose only.
6. Use mild detergent only for cleaning.

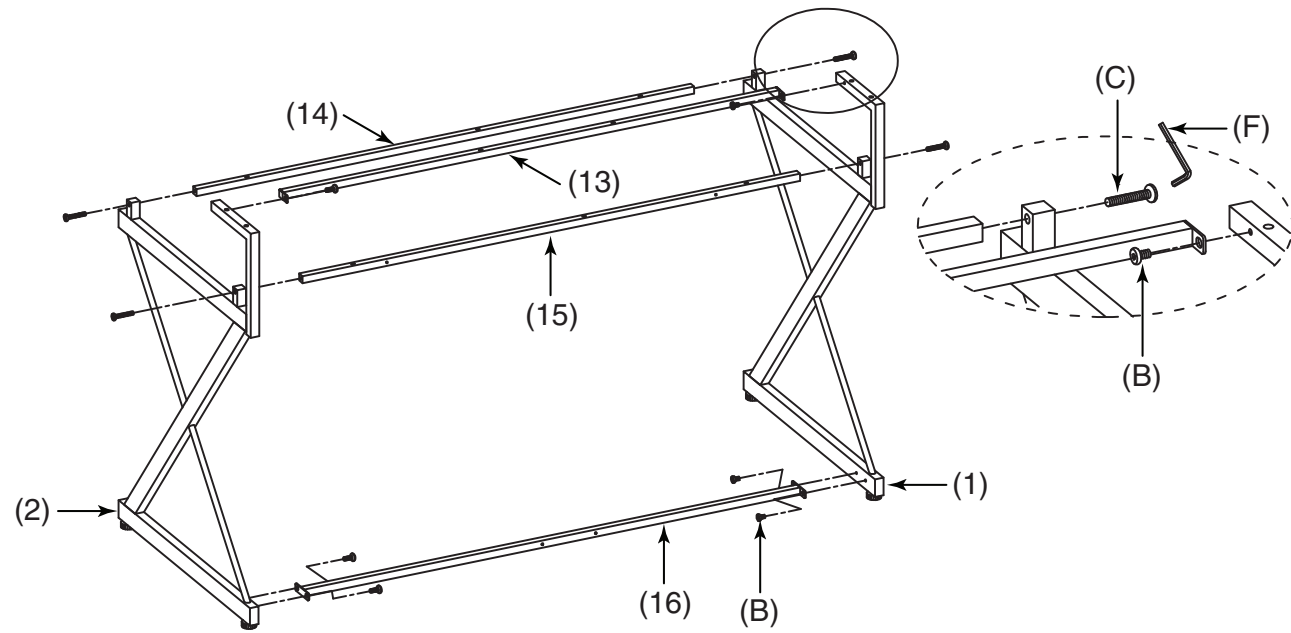
STEP 1



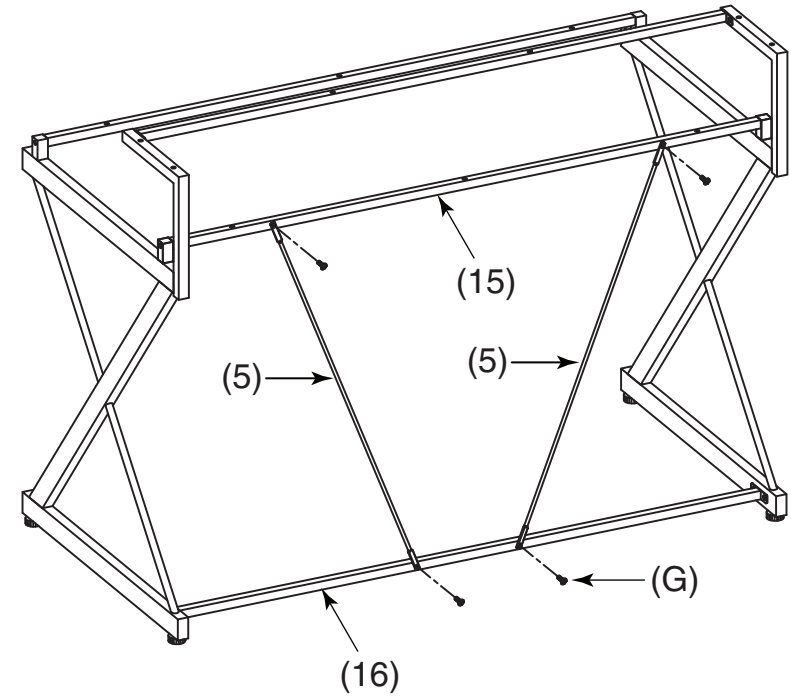
| PART                      | QTY |
|---------------------------|-----|
| 1. Left Side Frame.....   | 1   |
| 2. Right Side Frame.....  | 1   |
| 3. Desk Top.....          | 1   |
| 4. Top Shelf.....         | 1   |
| 5. Tension Bar.....       | 2   |
| 6. Storage Tray.....      | 1   |
| 7. Accessory Hook.....    | 1   |
| 8. Cup Holder.....        | 1   |
| 9. Wireless Charger.....  | 1   |
| 10. Power Outlet.....     | 1   |
| 11. Remote Control.....   | 1   |
| 12. LED Power Supply..... | 1   |
| 13. Upper Crossbar.....   | 1   |
| 14. Front Crossbar.....   | 1   |
| 15. Back Crossbar.....    | 1   |
| 16. Lower Crossbar.....   | 1   |

| HARDWARE                           | QTY |
|------------------------------------|-----|
| A. Wire Clip.....                  | 2   |
| B. Bolt (M6 x 12mm).....           | 6   |
| C. Bolt (M6 x 32mm).....           | 4   |
| D. Flat Head Bolt (M6 x 28mm)..... | 4   |
| E. Flat Head Bolt (M6 x 25mm)..... | 8   |
| F. Allen Wrench.....               | 1   |
| G. Machine Screw (M4 x 12mm).....  | 6   |
| H. Wood Screw (M3.5 x 12mm).....   | 2   |
| I. Floor Leveler.....              | 4   |

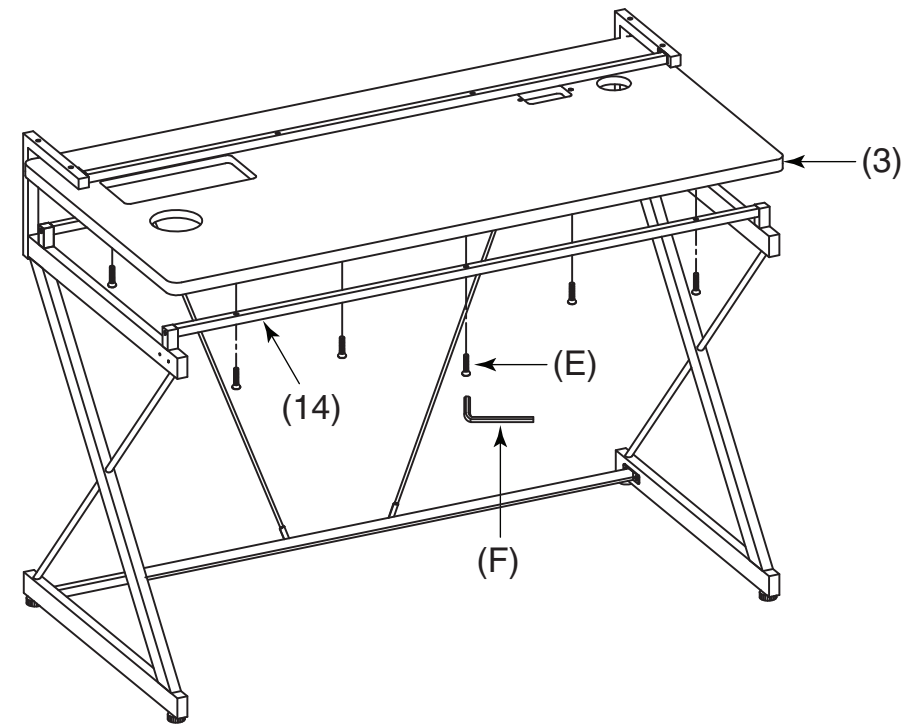
STEP 2



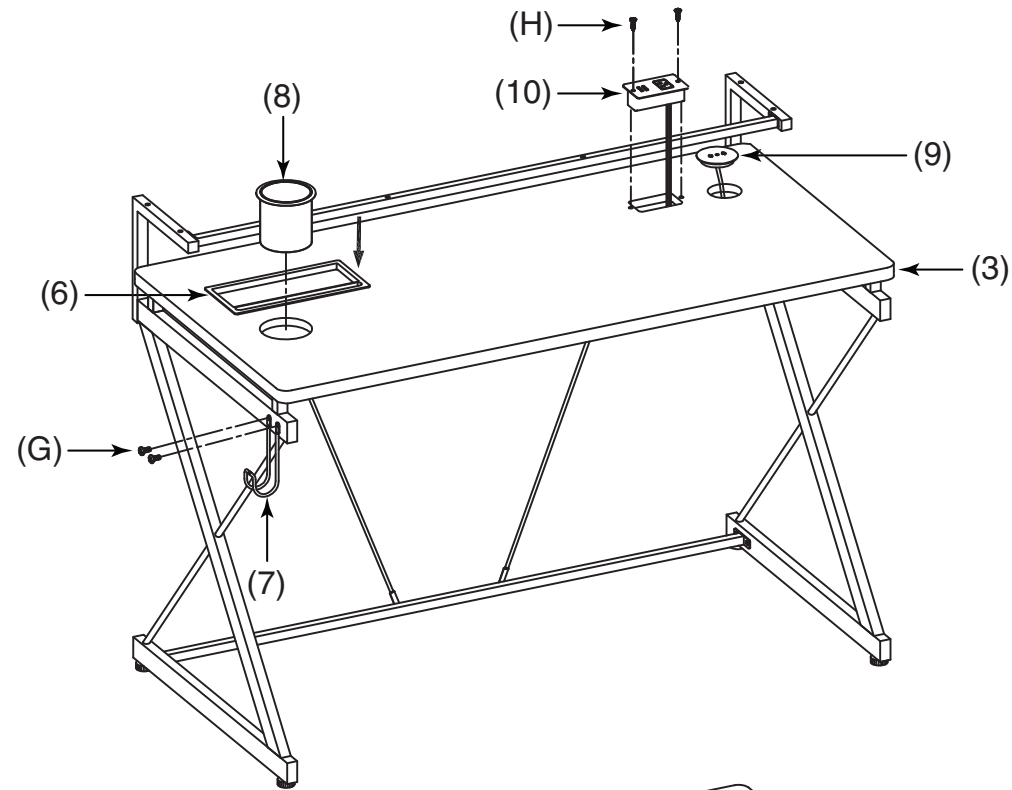
STEP 3



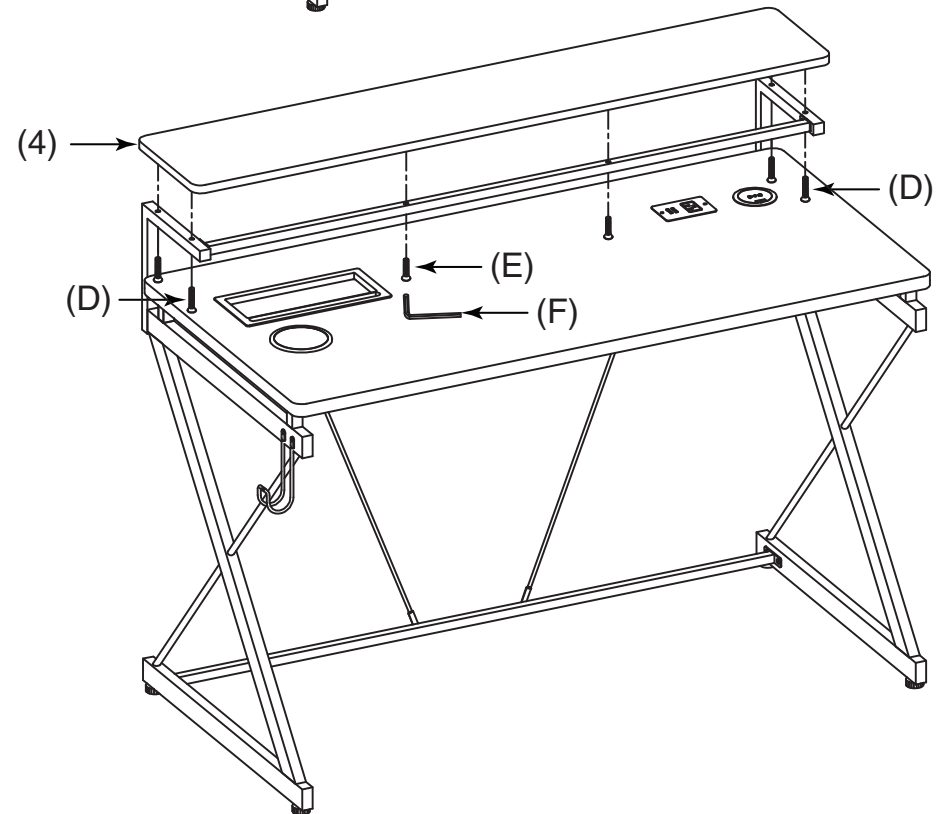
STEP 4



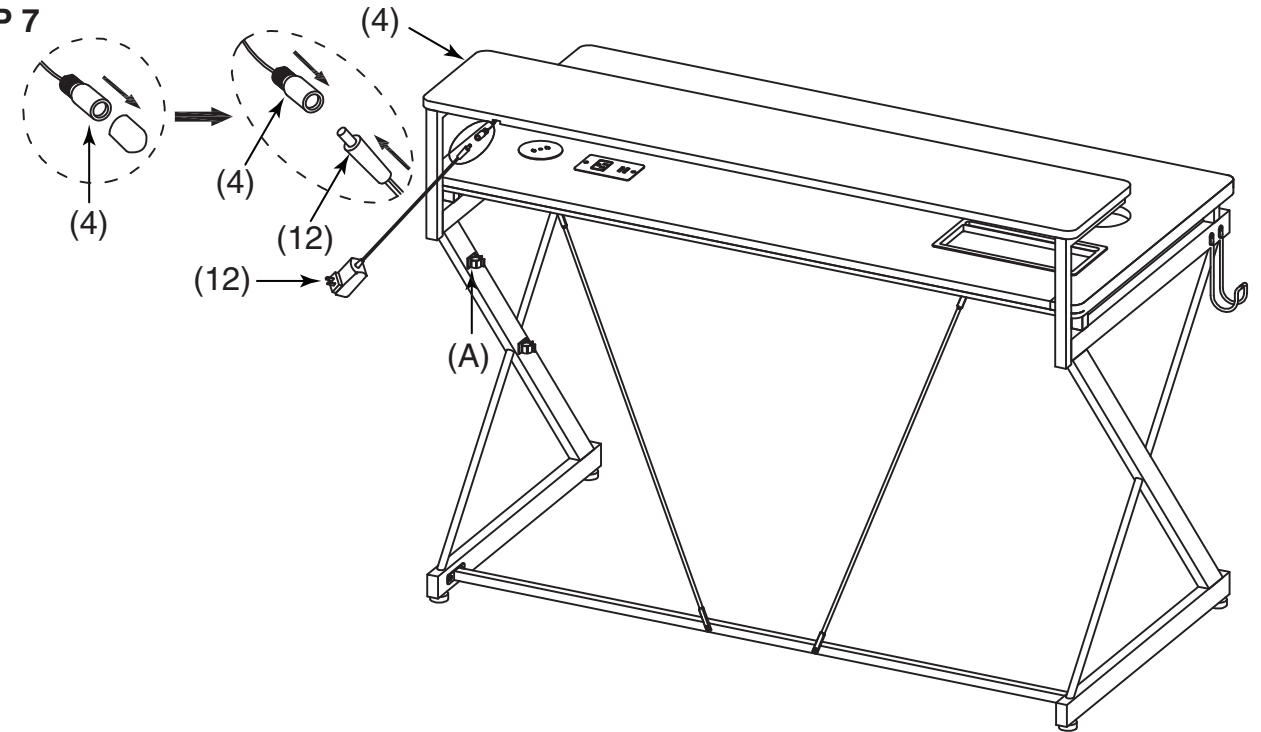
STEP 5



STEP 6

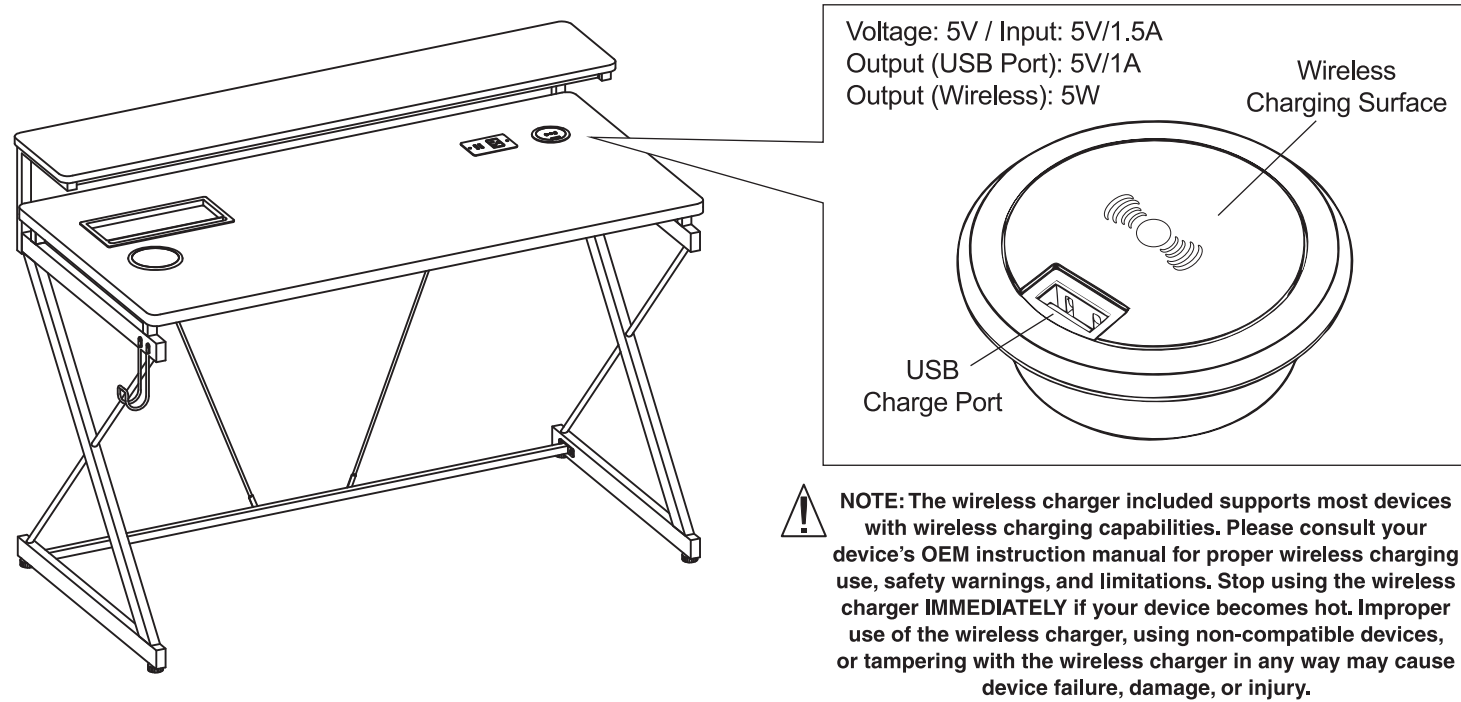


STEP 7



# WIRELESS CHARGER - SAFETY WARNINGS & INSTRUCTIONS FOR USE

Your desk includes wireless charging capabilities using the wireless charger as shown. Please carefully follow the instructions and safety warnings below before using the wireless charger with your supported device.



## SAFETY WARNINGS - PLEASE READ FIRST

Devices with cases thicker than 4mm may not allow wireless charging. Remove the case from the device or use the USB port for wired charging instead.

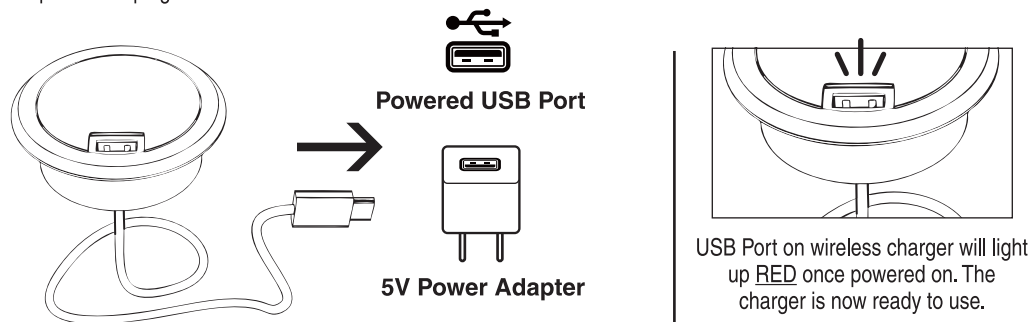
Devices with rings, kickstands, or finger grip accessories will not allow wireless charging. Remove the accessories or use the USB port for wired charging instead.

DO NOT attempt to wireless charge devices with metallic cases, metallic attachments, or magnetic attachments. Remove the device from such cases or use the USB port for wired charging instead.

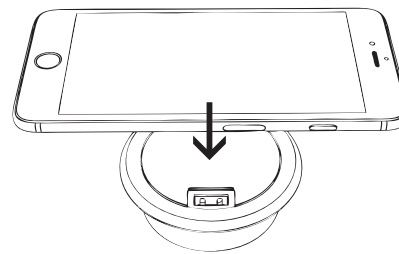
DO NOT allow any metallic foreign objects or liquids to come in contact with the wireless charger. Only devices that support wireless charging should be put on the wireless charger surface.

### To Power ON the Wireless Charger

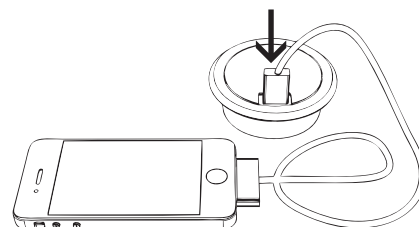
Plug the USB cable from the bottom of the wireless charger into any powered USB 2.0 port, or any 5V power adapter that accepts a USB plug.



**Using the Wireless Charger**  
To charge your device using wireless charging, place the device centered on the wireless charger face and wait for the device to indicate it has begun charging.



**Using the USB Charge Port**  
To charge your device using USB charging port, plug in your device's USB charging cord into the USB port as shown and wait for the device to indicate it has begun charging.



# LED LIGHT REMOTE CONTROL - INSTRUCTIONS FOR USE

Your desk includes an integrated LED light strip with customizable RGB LED lights. The lights are controlled using the included LED Remote Control. Please refer to the Button Feature Diagram below for an outline of the remote's functions. A Troubleshooting FAQ is also included below for frequently asked questions and general usage troubleshooting. This remote uses a single CR2025 3V Lithium coin battery, located in the pull out battery tray tab on the back-bottom edge of the remote.

## LED Light Remote Control: Button Feature Diagram

### Preset FIXED Red, Green, Blue (RGB) and White Color Section:

To select a preset color, simply press the desired color button within each of the RGB color mixtures to set the LED light color. The LED lights will change to a FIXED (Solid) color based on the selection.

### Programmable Do-it-Yourself (DIY) Section:

To save your own custom FIXED LED light color, follow the steps below:

1. Press any DIY # Button ONCE. The LED lights should change to solid white color.
2. Use any of the RGB DOWN arrows to REMOVE that respective color from the color mixture. To ADD a color back to the color mixture, use the respective RGB UP arrows.
3. When you have reached the desired custom LED color, press the SAME DIY # button that you selected in Step 1. The custom LED color is now saved, and can be recalled by pressing the DIY # button.

Pause/Play Multi-Color Effects

LED Power On/Off

**NOTE:** The LED lights should automatically power ON when the LED Power Supply is connected to a power outlet.

**Speed Section:** Increase/Decrease transition speed of effects from the Multi-Color RGB Effects Section.

**Multi-Color RGB Effects Section (Press to Select):**

- **AUTO:** Automatically cycle through all RGB color ranges, while alternating between the "FLASH" and "FADE7" effects.
- **FLASH:** Cycle through all RGB color ranges, with an abrupt flashing transition effect between colors.
- **FADE7:** Cycle through all RGB color ranges, with a smooth fading transition effect between colors. See "Speed Section" for additional customization.
- **FADE3:** Cycle through only Red, Green, Blue colors, with a smooth fading transition between colors. See "Speed Section" for additional customization.
- **JUMP7:** Cycle through all RGB color ranges, with an abrupt transition from one color to the next. See "Speed Section" for additional customization.
- **JUMP3:** Cycle through only Red, Green, Blue colors, with an abrupt transition between colors. See "Speed Section" for additional customization.

REMOVE CLEAR TAB

**NOTE:** When using the remote for the first time, you will need to pull the clear plastic tab out from the battery tray to activate it from storage mode. The remote will now function as shown.

## TROUBLESHOOTING FAQ

| Problem:                               | Solution:   | Also Check:   | Also Check:  |
|--|---|---|--|
| <b>Q:</b> LED Lights won't turn on?    | Press the Power ON/OFF button   | Double check that the LED Power Supply is connected to the LED strip on the desk and the power supply is plugged into a power outlet. | Remove the clear tab from the battery tray on first use. After prolonged usage, the battery (CR2025-3V Lithium) may need to be replaced. |
| <b>Q:</b> DIY lights will not program? | When first programming the DIY section, the lights will start off white. Hold DOWN any of the RGB colored arrows firmly until you see the light begin to shift in color. Once a color range has been removed, it is easier to begin customizing the DIY color. Make sure to press the SAME DIY # button you first pressed during the programming process to save the custom color |   |  |