



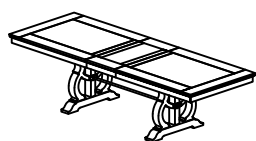
BOX 1 - TOP AND LEAVES

A	PD5066-42TP		X1
B	PD5066-42LF		X1

BOX 2 - BASE and HW

C	PD5066-42LG		X2
D	PD5066-42MS		X1
E	PD5066-20B-HD		X8
		5/16" X 50MM	
F	PD5066-20B-HD		X8
		9/22	
G	PD5066-20B-HD		X8
		9/11	
H	PD5066-20B-HD		X2
		5/16"	
I	PD5066-20B-HD		X2
		9/19	
J	PD5066-20B-HD		X1
		1/2"	
K	PD5066-20B-HD		X1
		12MM	
L	PD5066-20B-HD		X2

MARTIN COUNTER



D5066-42T/42B

278722 / MARTIN RECTANGULAR COUNTER TABLE TOP

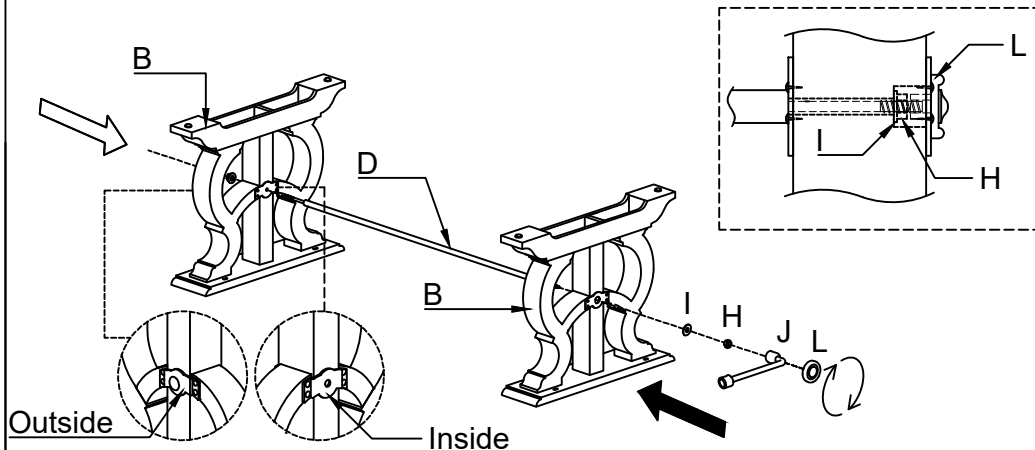
278721 / MARTIN RECTANGULAR COUNTER TABLE BASE



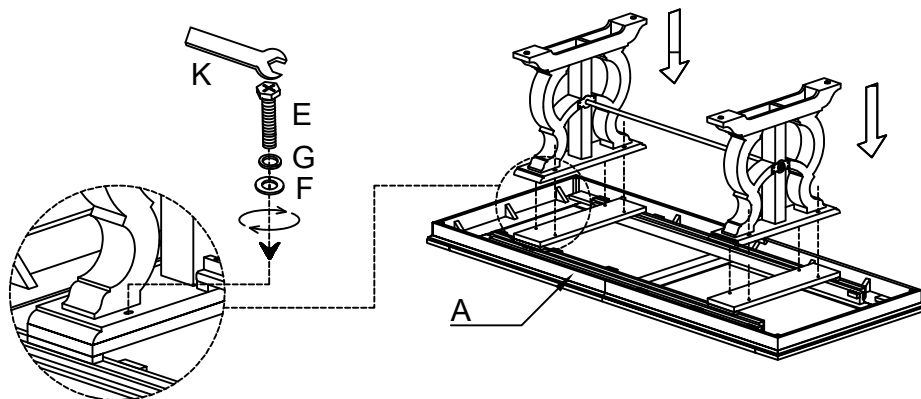
Not provided



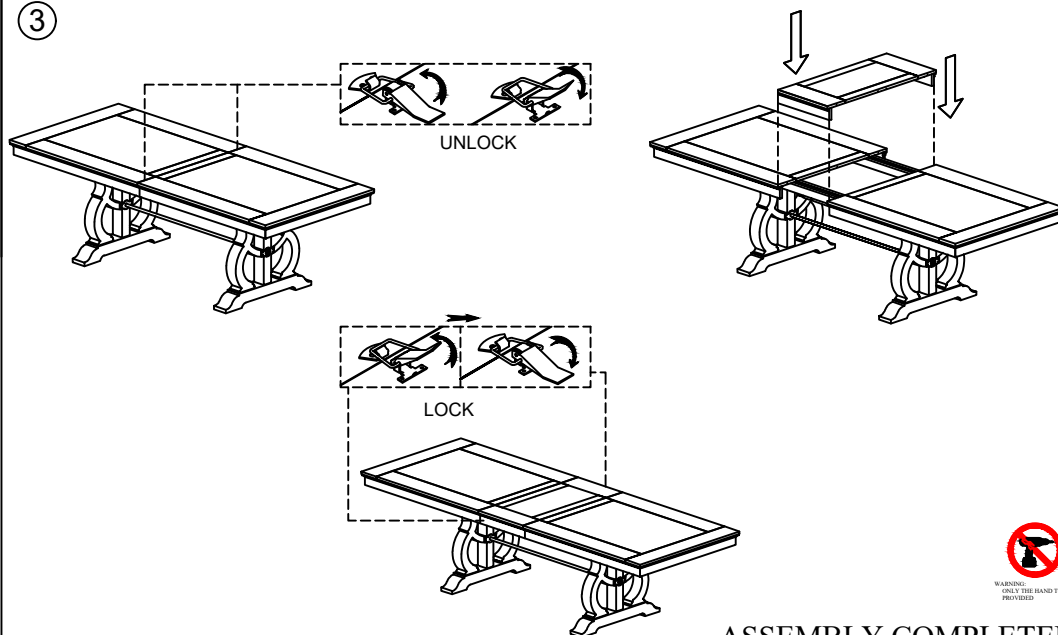
①



②



③



WARNING: ONLY THE HAND TOOLS PROVIDED

ASSEMBLY COMPLETED