

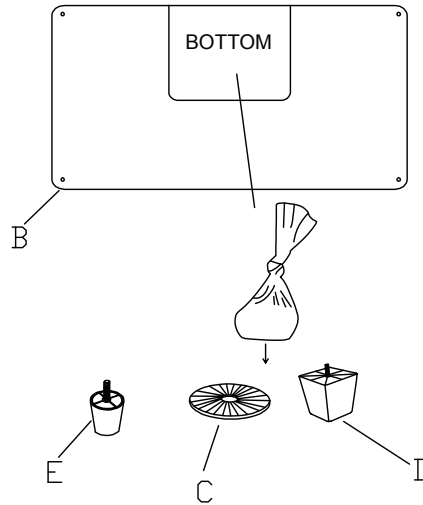
**PARTS LIST**

No.	DESCRIPTION	IMAGE	Q'TY
A	BACK CUSHION		2
B	SOFA SEAT		1
C	WASHER		5
D	PLASTIC LEG		4
E	MIDDLE LEG		1

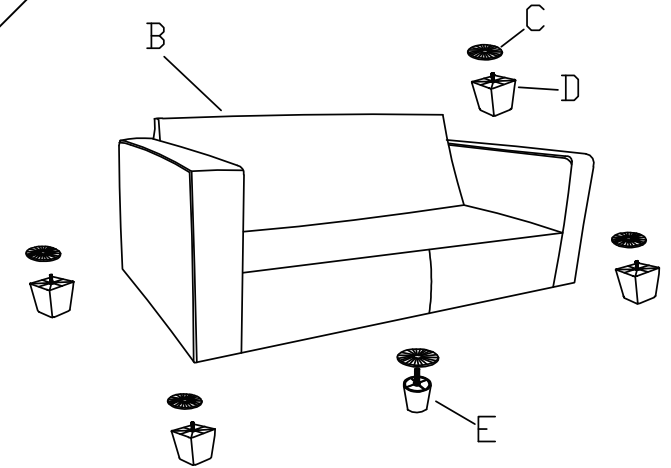
**NOTE:** PO # is located underneath/ at the back side of each item. Please be prepared to provide this # should any claim be necessary.

**CAUTION:** Item is heavy. Assembly should be performed by two people.

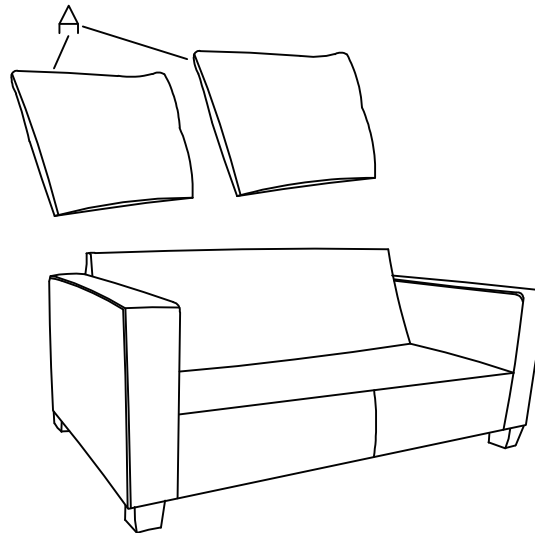
**1**



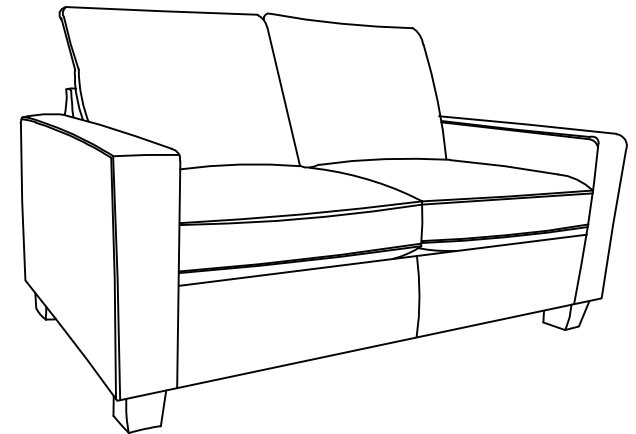
**2**



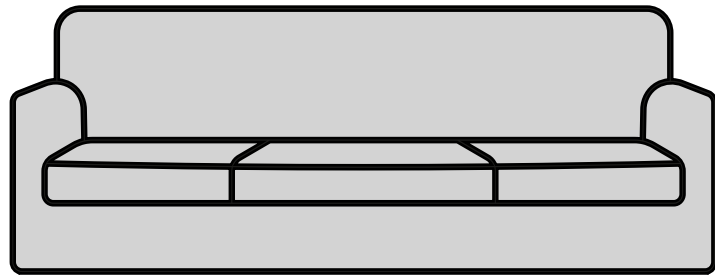
**3**



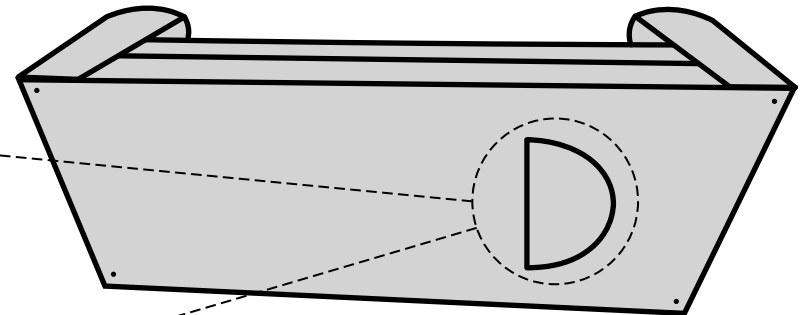
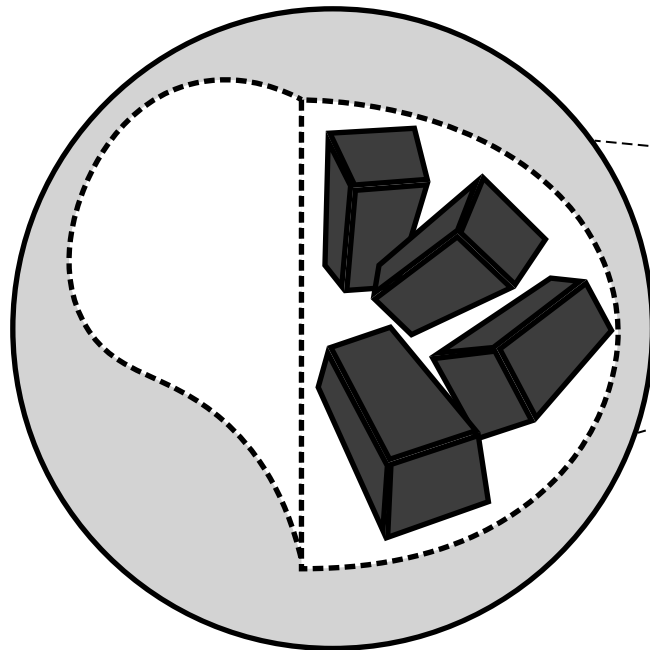
**4**



# How to Find Your Furniture Legs *Cómo encontrar las patas de su mueble*



Gently lay sofa/love seat on it's back  
*Coloque suavemente el sofá o el sofá de dos plazas sobre su respaldo*



Locate the compartment underneath sofa/love seat  
*Encuentre el compartimento debajo del sofá*

Open compartment to locate upholstery legs and assembly instructions  
*Habr  el compartimento para localizara las patas del sof  y las instrucciones de asamblea*