

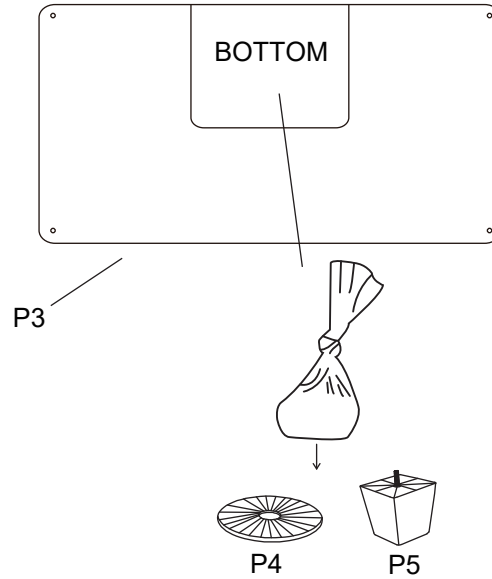
PARTS LIST

No.	DESCRIPTION	IMAGE	Q'TY
P1	BACK CUSHION		2
P2	SEAT CUSHION		2
P3	SEAT		1
P4	WASHER		4
P5	PLASTIC FOOT		4

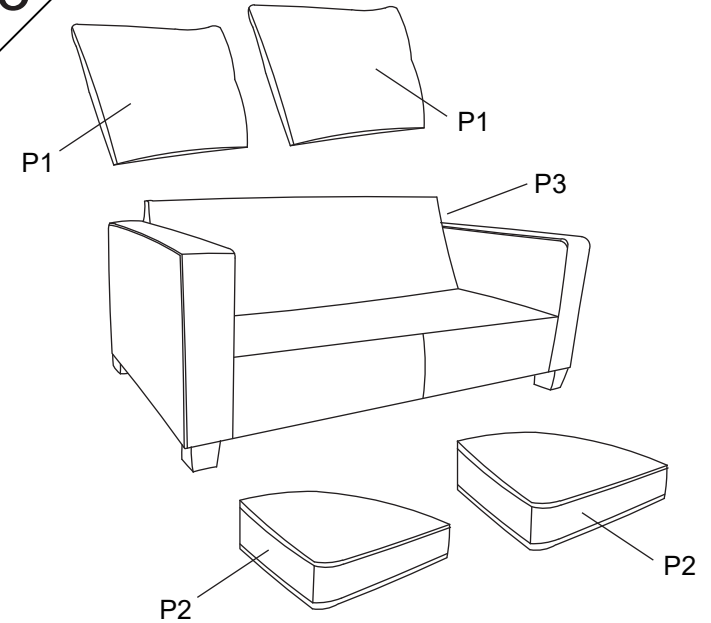
NOTE: PO # is located underneath/ at the back side of each item. Please be prepared to provide this # should any claim be necessary.

CAUTION: Item is heavy. Assembly should be performed by two people.

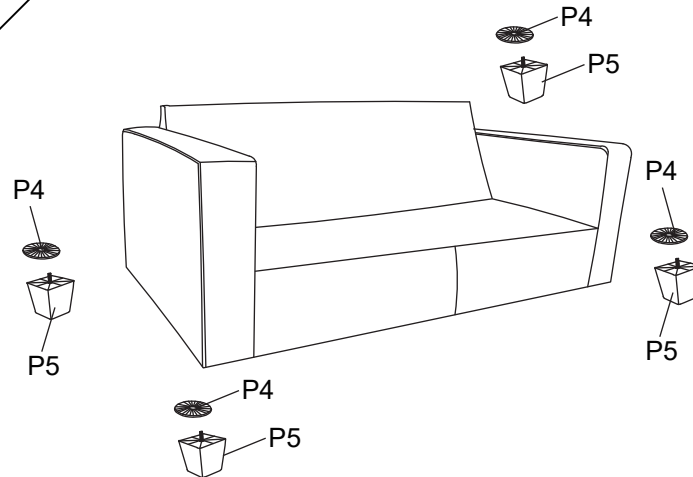
1



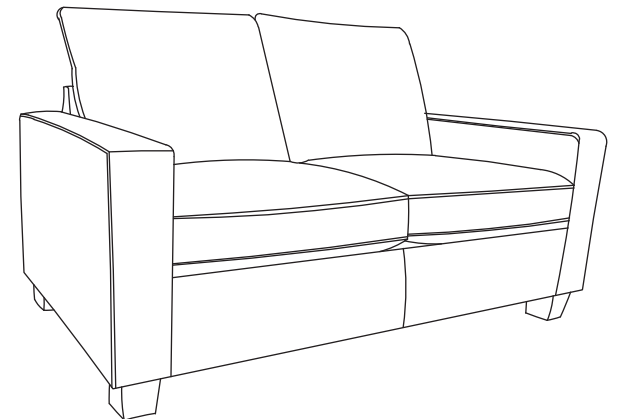
3



2



4



ASSEMBLED COMPLETED

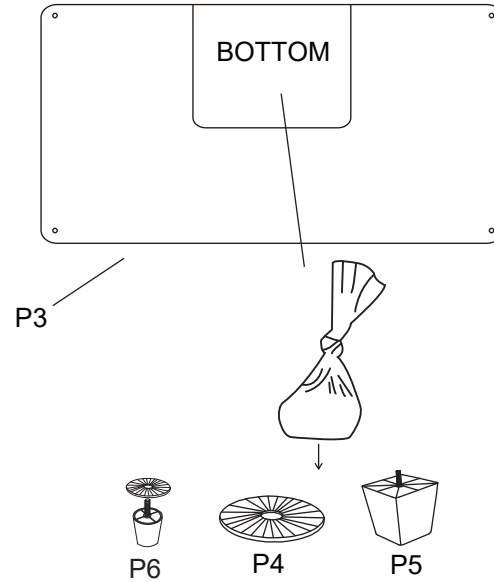
PARTS LIST

No.	DESCRIPTION	IMAGE	Q'TY
P1	BACK CUSHION		2
P2	SEAT CUSHION		2
P3	SEAT		1
P4	WASHER		5
P5	PLASTIC FOOT		4
P6	MIDDLE FOOT		1

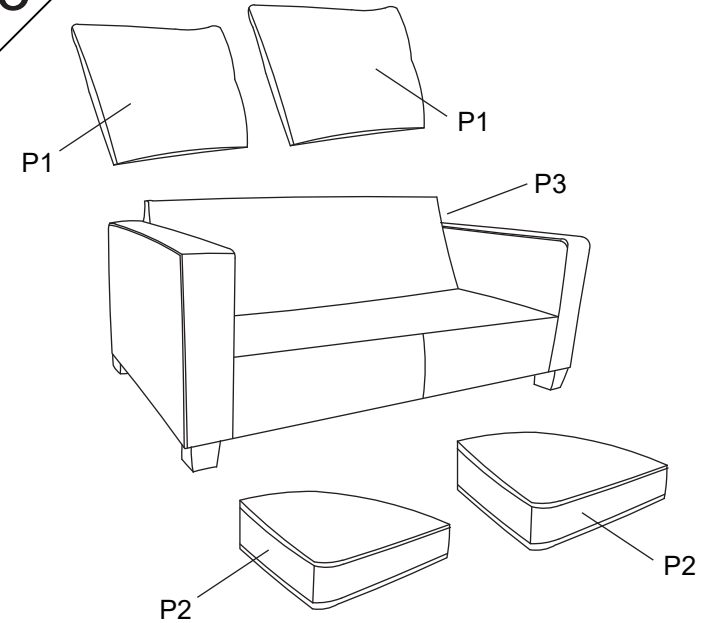
NOTE: PO # is located underneath/ at the back side of each item. Please be prepared to provide this # should any claim be necessary.

CAUTION: Item is heavy. Assembly should be performed by two people.

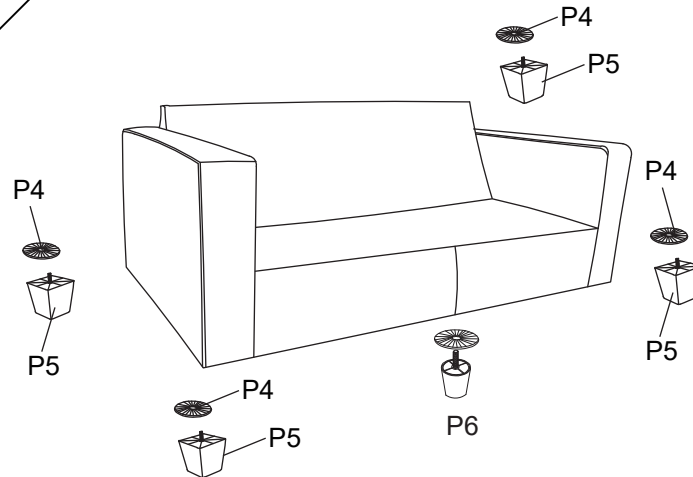
1



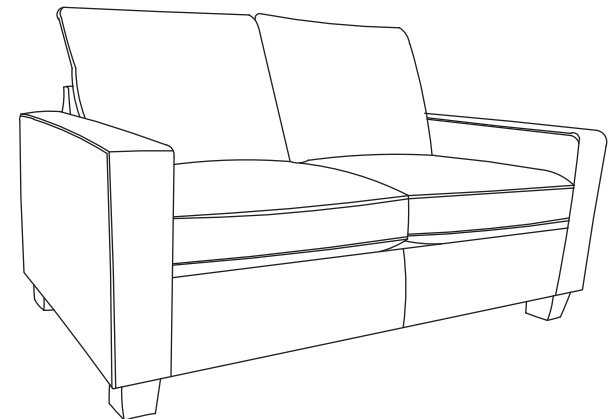
3



2



4



ASSEMBLED COMPLETED