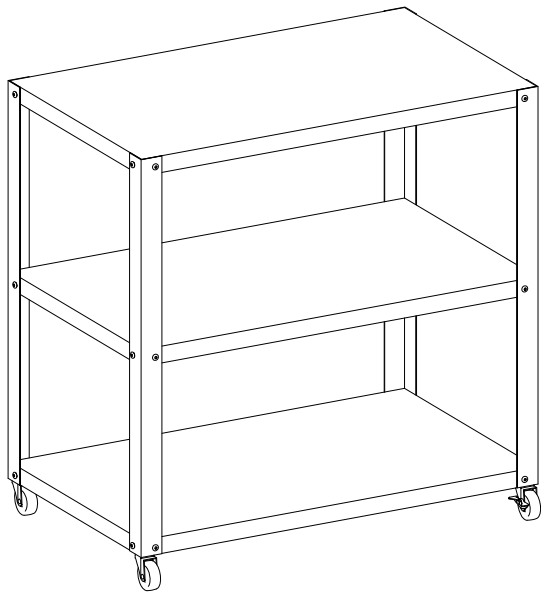




LIVING SPACES

AXEL METAL BAR CART

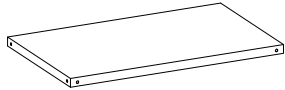
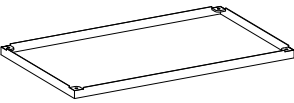

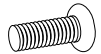


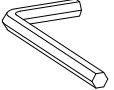



SP-2140W / 277868

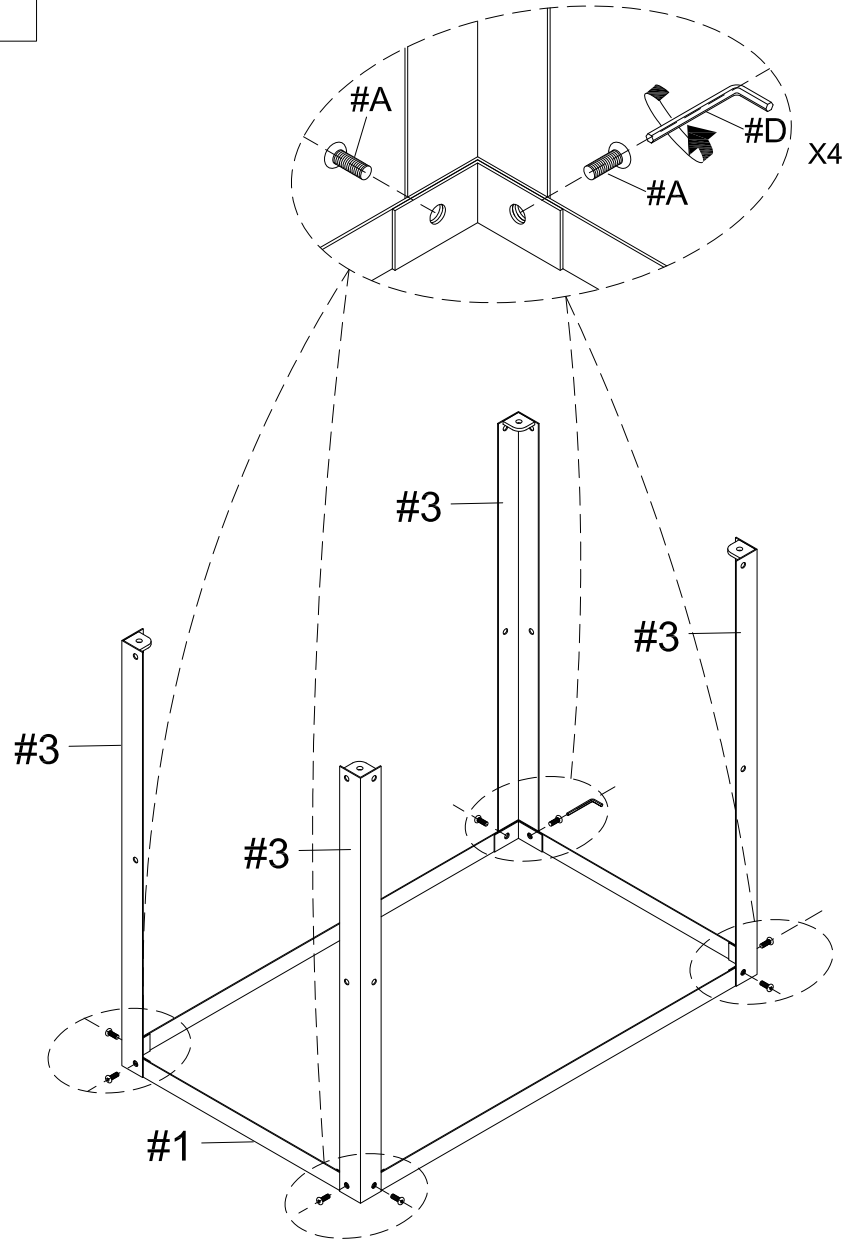
SP-2140B / 277867



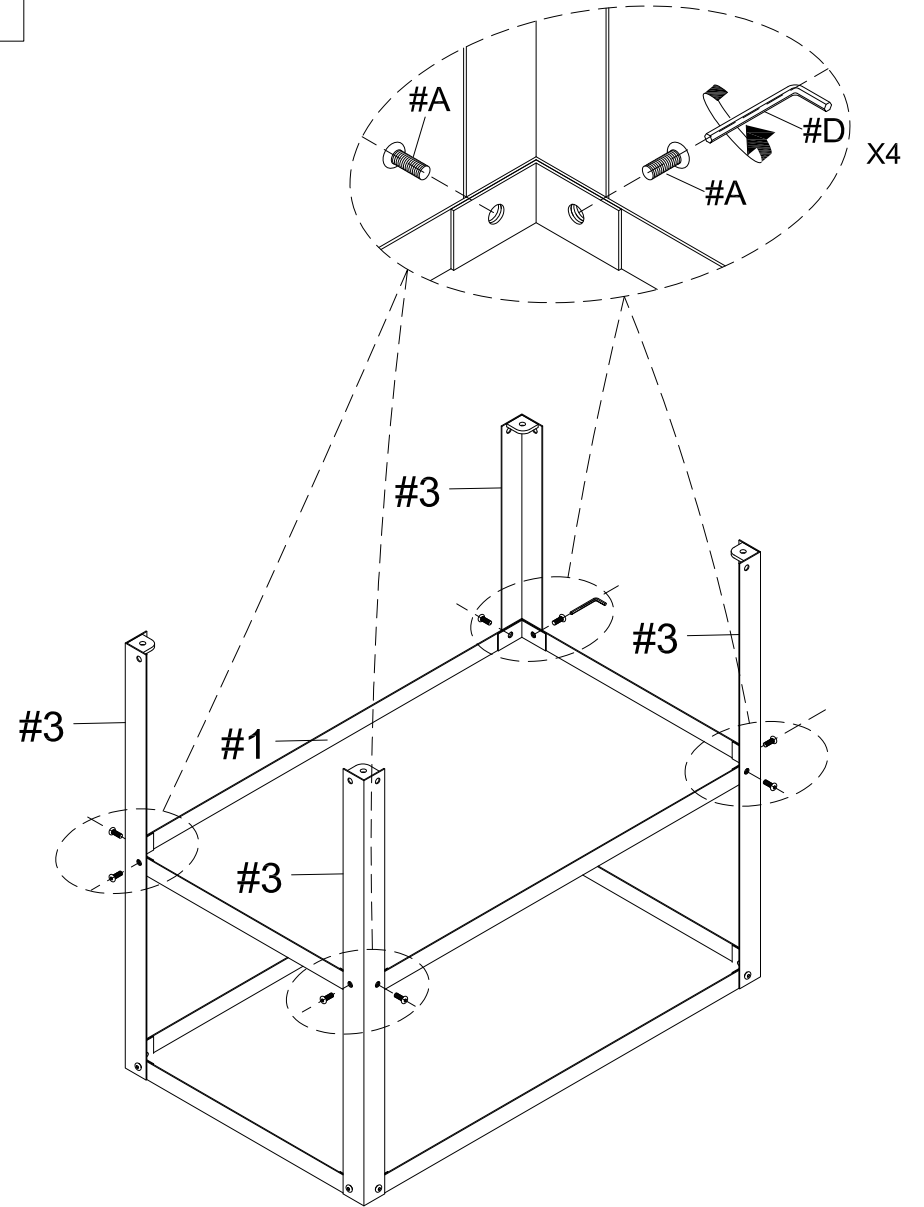
PART LIST

#1		Shelf	X2
#2		Bottom Shelf	X1
#3		Leg	X4
HARDWARE			
#A		Blot $\text{\O} \frac{1}{4}$ "x15mm	X24
#B		Caster With Brake	X2
#C		Caster	X2
#D		Allen Key $\text{\O} 5$ mm	X1
#E		Wrench Key	X1

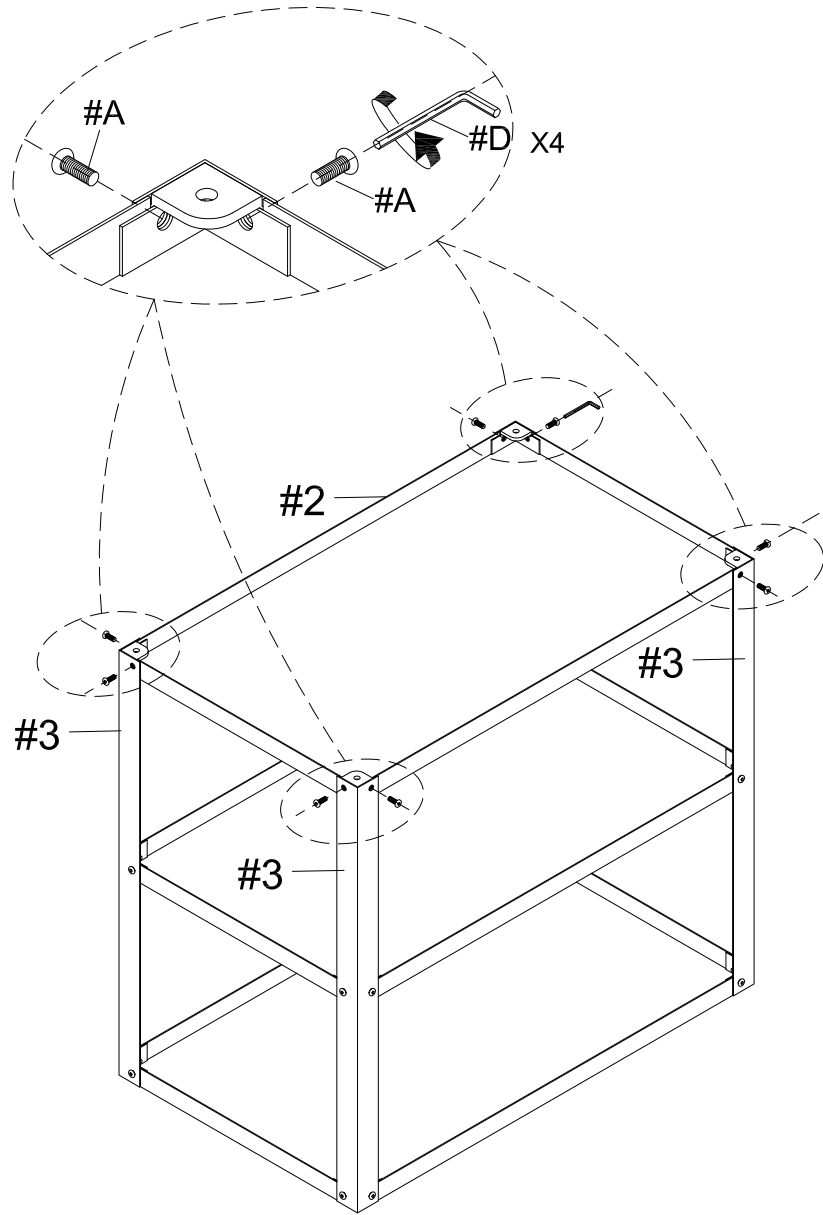
1



2



3



4

