



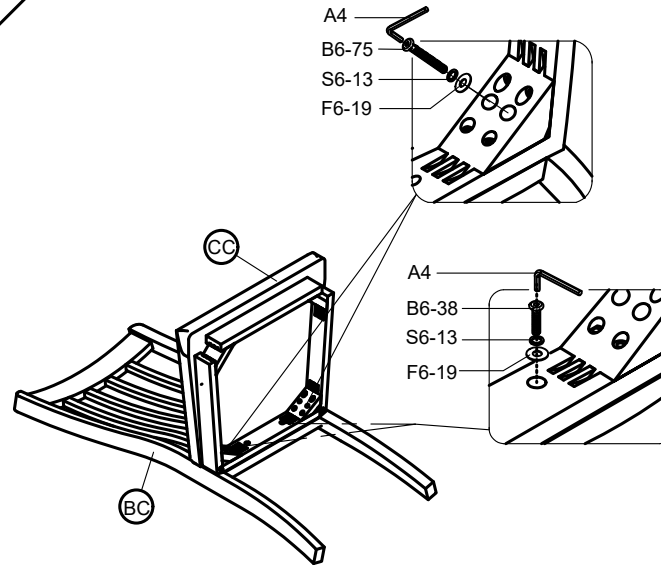
PARTS LIST

No.	DESCRIPTION	IMAGE	Q'TY
BC	BACK FRAME		1
CC	CUSHION SEAT		1
LC	LEGS		2

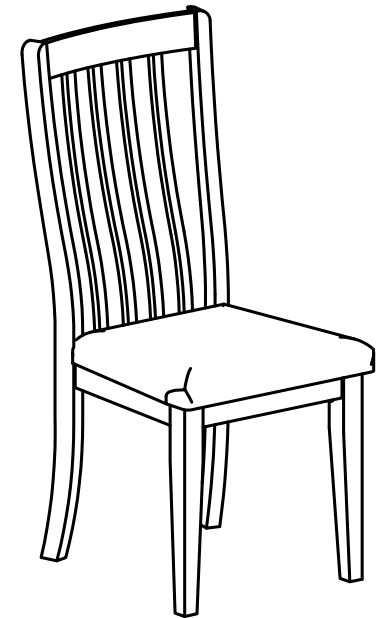
HARDWARE LIST

A4	ALLEN KEY		1
S6-13	SPRING WASHER (Ø1/4"x13)		10
F6-19	FLAT WASHER (Ø1/4"x19)		10
B6-38	BOLT (Ø1/4"x38mm)		2
B6-50	BOLT (Ø1/4"x50mm)		4
B6-75	BOLT (Ø1/4"x75mm)		4

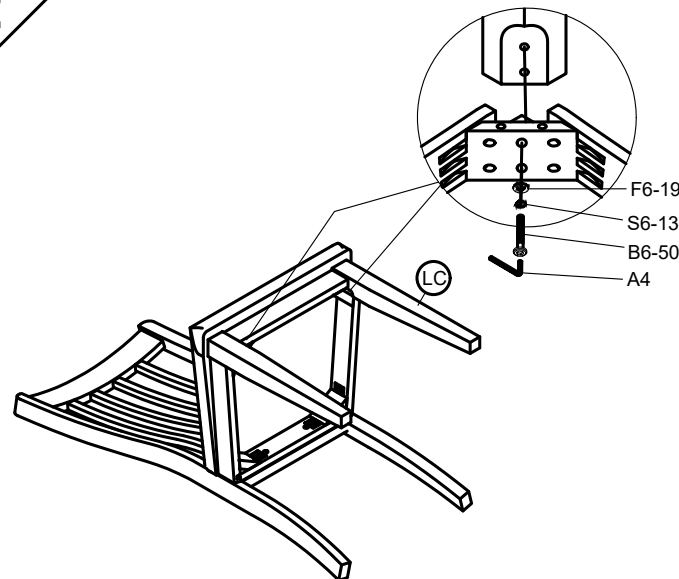
1



3



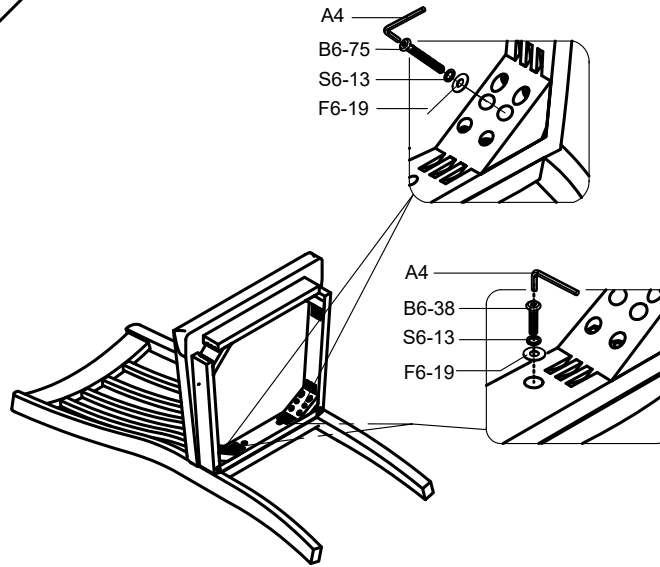
2



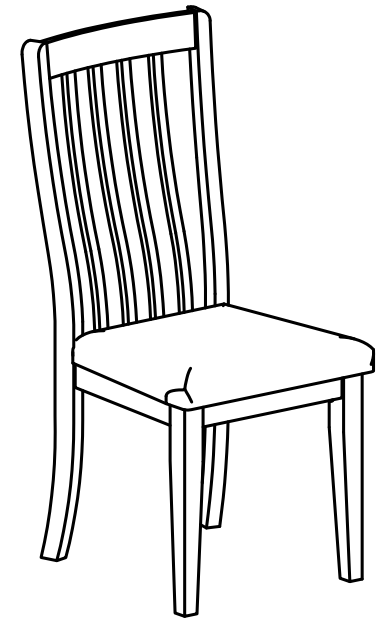
PARTS LIST

No.	DESCRIPTION	IMAGE	Q'TY
BC	BACK FRAME		1
CC	CUSHION SEAT		1
LC	LEGS		2

1



3



HARDWARE LIST

A4	ALLEN KEY		1
S6-13	SPRING WASHER (Ø1/4"x13)		10
F6-19	FLAT WASHER (Ø1/4"x19)		10
B6-38	BOLT (Ø1/4"x38mm)		2
B6-50	BOLT (Ø1/4"x50mm)		4
B6-75	BOLT (Ø1/4"x75mm)		4

2

