

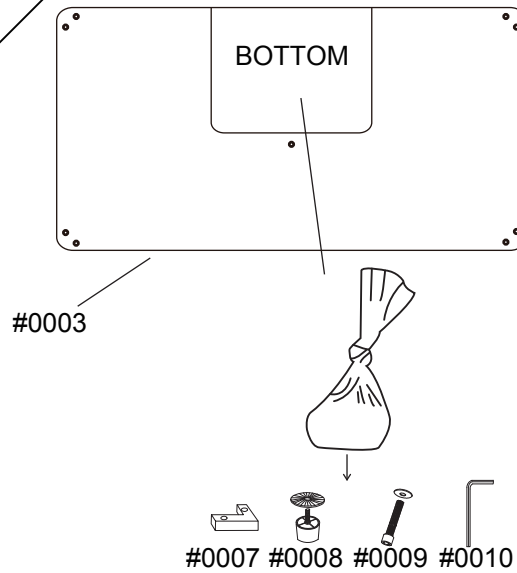
**PARTS LIST**

SKU#	DESCRIPTION	IMAGE	Q'TY
#0003	LAF CHAISE		1
#0004	CHASE BACK CUSHION		1
#0005	SOFA BACK CUSHION		1
#0006	SOFA BACK CUSHION		1
#0007	WOODEN LEG		4
#0008	PLASTIC FOOT		1
#0009	SCREW&WASHER		8
#0010	WRENCH		1

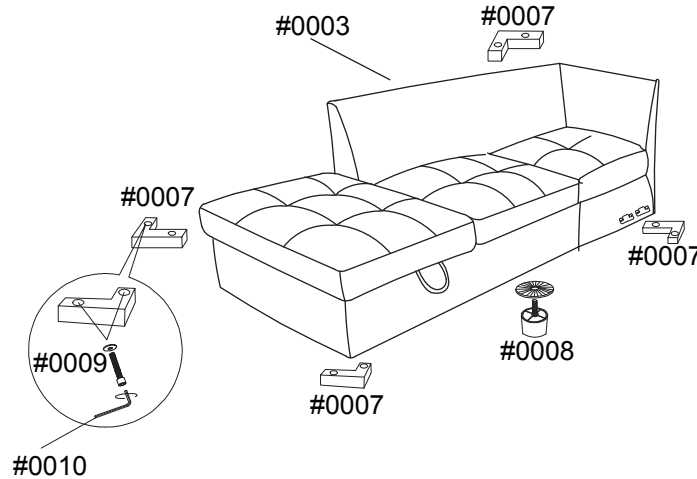
**NOTE:** PO # is located underneath/ at the back side of each item. Please be prepared to provide this # should any claim be necessary.

**CAUTION:** Item is heavy. Assembly should be performed by two people.

**1**



**2**



**2**

