



LIVING SPACES

ASSEMBLY INSTRUCTIONS

ITEM: 305-P323150 5/0 HEADBOARD
305-P323151 5/0 FOOTBOARD & SLATS
305-P323152 5/0-6/6 SET OF SIDE RAILS

Thank you for purchasing this quality product. Be sure to check all packing material carefully for small hardware which may have come loose inside the carton during shipment. Identify and count all hardware and compare with the hardware list below.

When placing furniture on non-carpeted flooring, HMI recommends the use of floor protection such as an area rug or furniture pads. Area rugs and padding not included with purchase.

PARTS LIST

HARDWARE LIST: HEADBOARD

No.	Description	Sketch	Quantity
1	HEADBOARD PANEL		1
2	HEADBOARD LEG LEFT		1
3	HEADBOARD LEG RIGHT		1
4	FOOTBOARD PANEL		1
5	FOOTBOARD LEG LEFT		1
6	FOOTBOARD LEG RIGHT		1
7	SIDE RAIL		2
8	SLATS		5
9	SUPPORT LEGS		5

No.	Description	Sketch	Side	Quantity
A	Allen Bolt		ø5/16"*1"	20
B	Lock washer		ø5/16"	20
C	Flat washer		ø5/16"*19*2mm	20
D	Allen key		ø5/16"	1
E	Screw		#8"*1"	10

TOOLS REQUIRED (NOT PROVIDED)

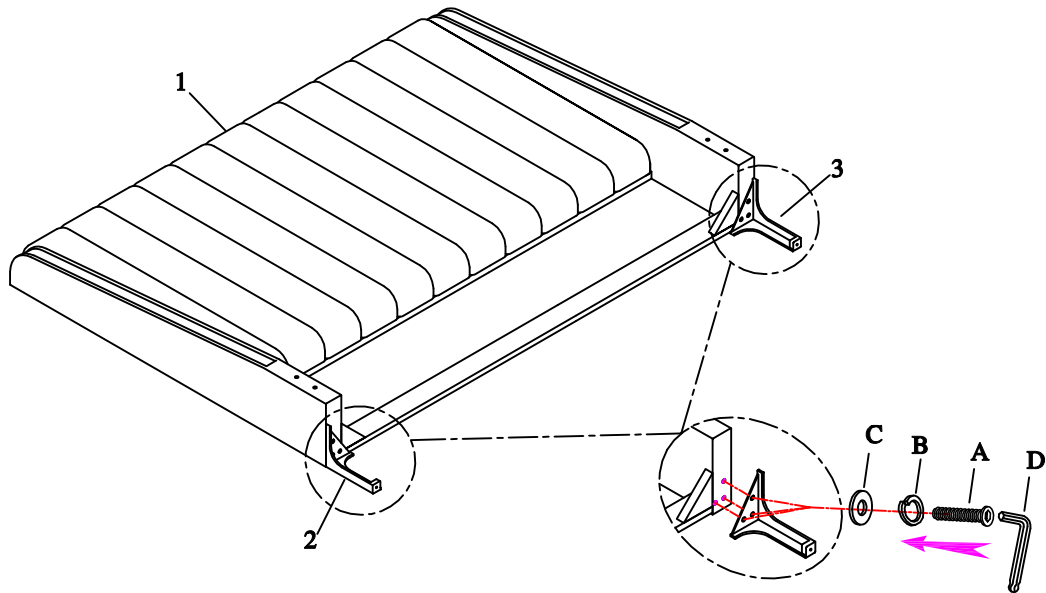


PHILLIPS SCREWDRIVER

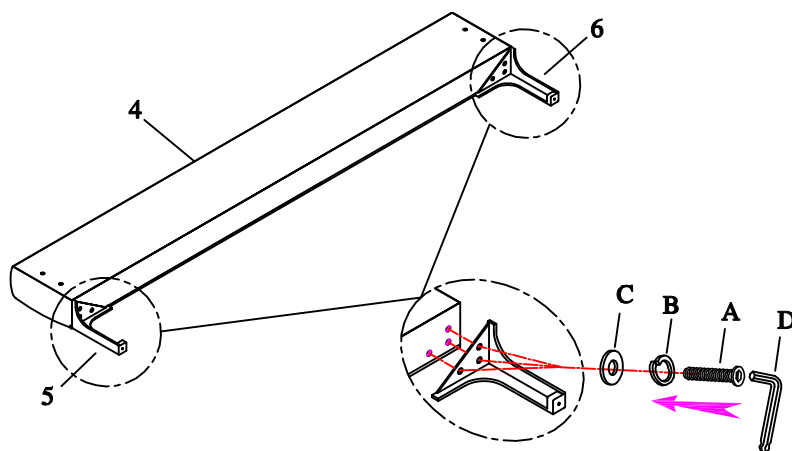
ASSEMBLY INSTRUCTIONS

ITEM: 305-P323150 5/0 HEADBOARD
305-P323151 5/0 FOOTBOARD & SLATS
305-P323152 5/0-6/6 SET OF SIDE RAILS

STEP 1



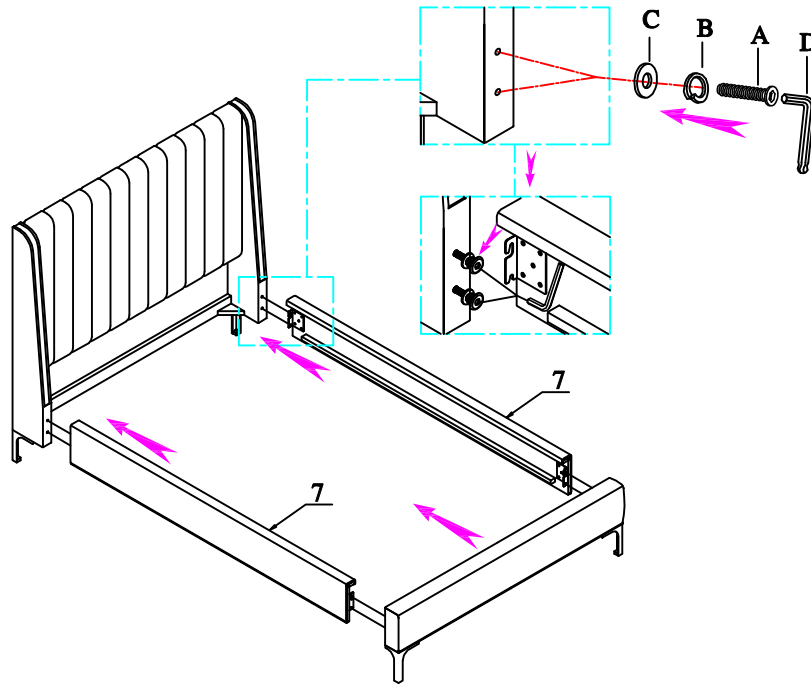
STEP 2



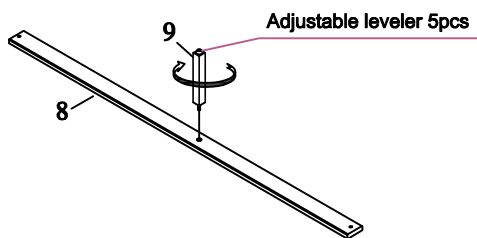
ASSEMBLY INSTRUCTIONS

ITEM: 305-P323150 5/0 HEADBOARD
305-P323151 5/0 FOOTBOARD & SLATS
305-P323152 5/0-6/6 SET OF SIDE RAILS

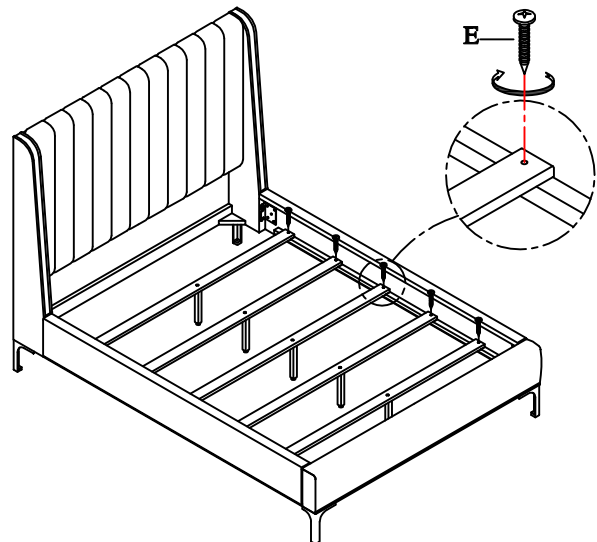
STEP 3



STEP 4



STEP 5



REPLACEMENT PARTS

ITEM: 305-P323150 5/0 HEADBOARD

305-P323151 5/0 FOOTBOARD & SLATS

305-P323152 5/0-6/6 SET OF SIDE RAILS



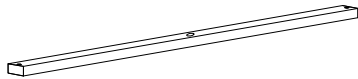
x1 RP323150- HWKIT-Hardware Kit



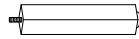
x1 RP323151- HWKIT-Hardware Kit



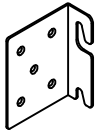
x10 RP323151-SCREW- Screw



x5 RP323151-SLAT-Slat



x5 RP323151-SULEG-Slat Support Leg



x4 RP323152-HOOK-Hook With Screw



x1 RP323152 HWKIT- Hardware Kit