



# LIVING SPACES

## ASSEMBLY INSTRUCTIONS

**ITEM: 305-P323160 6/6 HEADBOARD**  
**305-P323161 6/6 FOOTBOARD & SLATS**  
**305-P323167 6/0 CAL SET OF SIDE RAILS**

Thank you for purchasing this quality product. Be sure to check all packing material carefully for small hardware which may have come loose inside the carton during shipment. Identify and count all hardware and compare with the hardware list below.

When placing furniture on non-carpeted flooring, HMI recommends the use of floor protection such as an area rug or furniture pads. Area rugs and padding not included with purchase.

### PARTS LIST

### HARDWARE LIST: HEADBOARD

No.	Description	Sketch	Quantity
1	HEADBOARD PANEL		1
2	HEADBOARD LEG LEFT		1
3	HEADBOARD LEG RIGHT		1
4	FOOTBOARD PANEL		1
5	FOOTBOARD LEG LEFT		1
6	FOOTBOARD LEG RIGHT		1
7	SIDE RAIL		2
8	SLATS		5
9	SUPPORT LEGS		10

No.	Description	Sketch	Side	Quantity
A	Allen Bolt		ø5/16"*1"	20
B	Lock washer		ø5/16"	20
C	Flat washer		ø5/16"*19*2mm	20
D	Allen key		ø5/16"	1
E	Screw		#8"*1"	10

TOOLS REQUIRED (NOT PROVIDED)

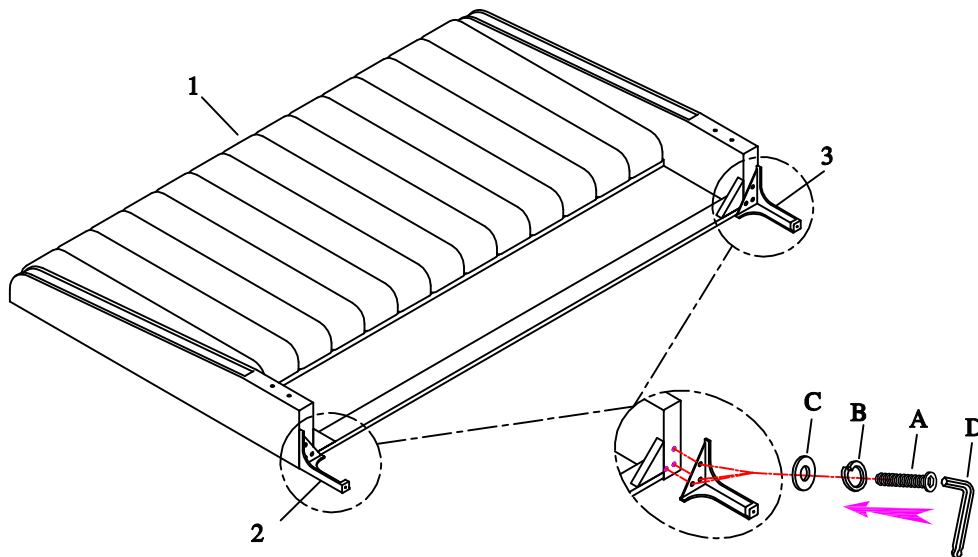


PHILLIPS SCREWDRIVER

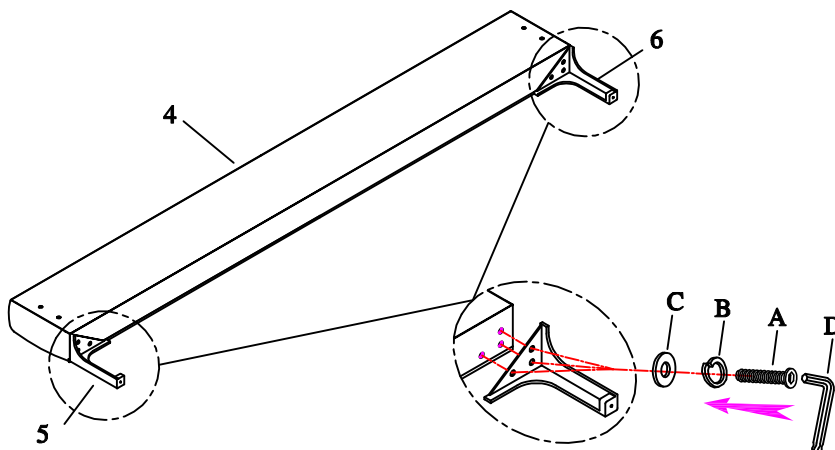
# ASSEMBLY INSTRUCTIONS

ITEM: 305-P323160 6/6 HEADBOARD  
305-P323161 6/6 FOOTBOARD & SLATS  
305-P323167 6/0 CAL SET OF SIDE RAILS

## STEP 1



## STEP 2



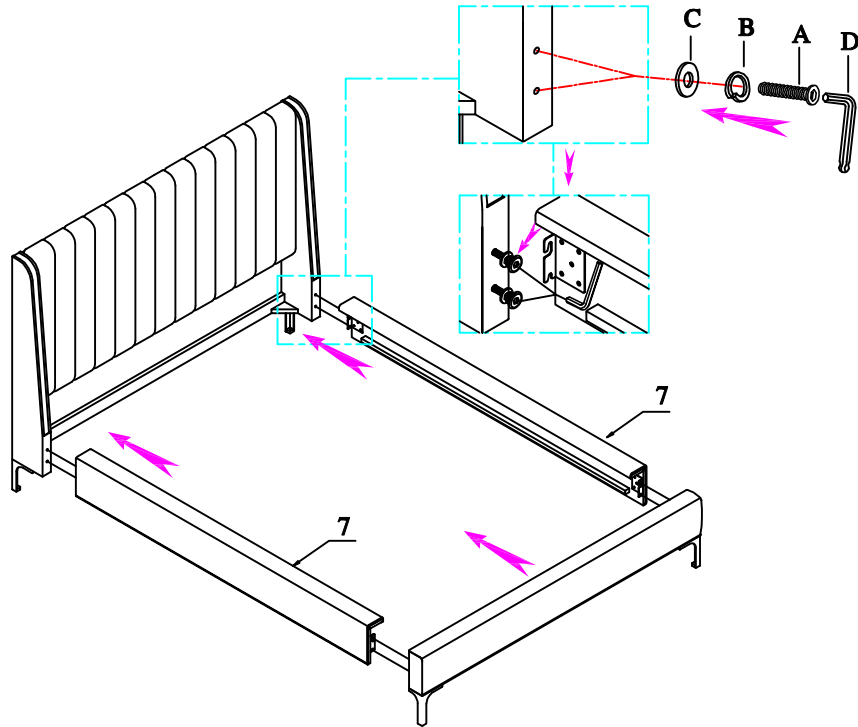
**ASSEMBLY INSTRUCTIONS**

**ITEM: 305-P323160 6/6 HEADBOARD**

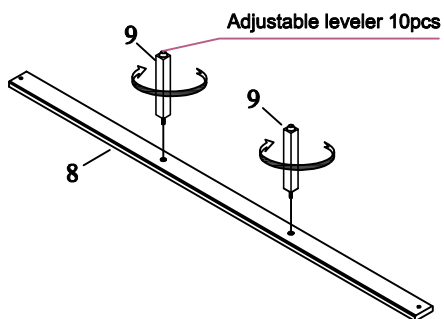
**305-P323161 6/6 FOOTBOARD & SLATS**

**305-P323167 6/0 CAL SET OF SIDE RAILS**

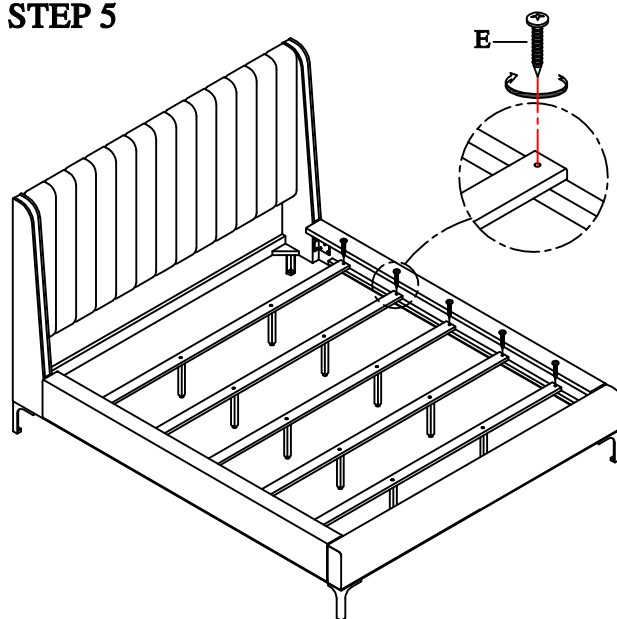
**STEP 3**



**STEP 4**



**STEP 5**



**REPLACEMENT PARTS**

**ITEM: 305-P323160 6/6 HEADBOARD**

**305-P323161 6/6 FOOTBOARD & SLATS**

**305-P323167 6/0 CAL SET OF SIDE RAILS**



x1 RP323160- HWKIT-Hardware Kit



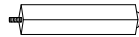
x1 RP323161- HWKIT-Hardware Kit



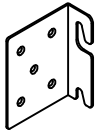
x10 RP323161-SCREW- Screw



x5 RP323161-SLAT-Slat



x10 RP323161-SULEG-Slat Support Leg



x4 RP323167-HOOK-Hook With Screw



x1 RP323167 HWKIT- Hardware Kit