



# LIVING SPACES

## ASSEMBLY INSTRUCTIONS

ITEM 305-P324110

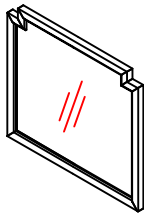

## MIRROR





Thank you for purchasing this quality product. Be sure to check all packing material carefully for small hardware which may have come loose inside the carton during shipment. Identify and count all hardware and compare with the hardware list below.

When placing furniture on non-carpeted flooring, HMI recommends the use of floor protection such as an area rug or furniture pads. Area rugs and padding not included with purchase.

### PARTS LIST

### HARDWARE LIST

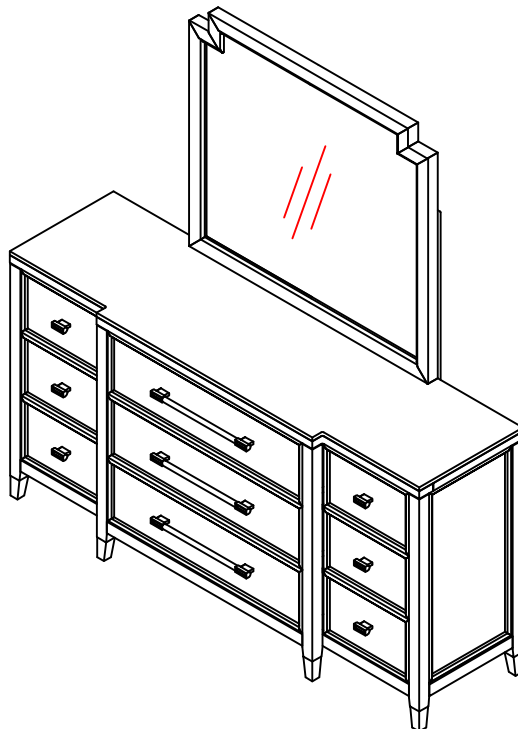
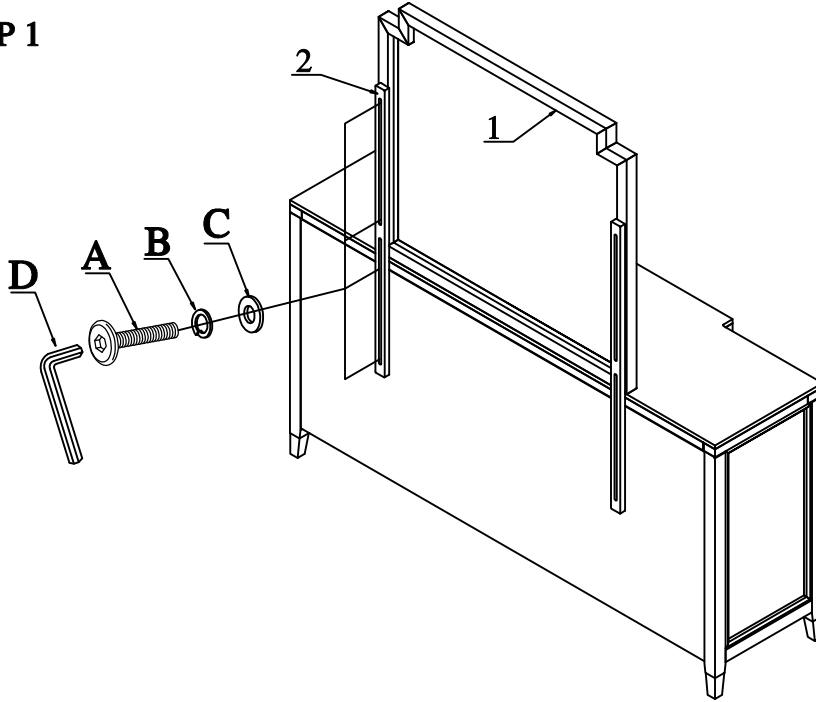
| No. | Description    | Sketch  | Quantity |
|-----|----------------|---|----------|
| 1   | Mirror         |  | 1        |
| 2   | Mirror Support |  | 2        |

| No. | Description | Sketch  | Side         | Quantity |
|-----|-------------|---|--------------|----------|
| A   | Allen Bolt  |   | ϕ1/4"*1-1/2" | 8        |
| B   | Lock washer |  | ϕ1/4"        | 8        |
| C   | Flat washer |  | ϕ1/4"*19*2mm | 8        |
| D   | Allen key   |  | 4mm          | 1        |

**ASSEMBLY INSTRUCTIONS**

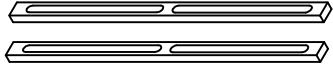
**ITEM 305-P324110  
MIRROR**

**STEP 1**



**REPLACEMENT PARTS**

**ITEM 305-P324110  
MIRROR**



x2 RP324110-MISU-MIRROR SUPPORT



x1 RP324110 HWKIT- Hardware Kit