



LIVING SPACES

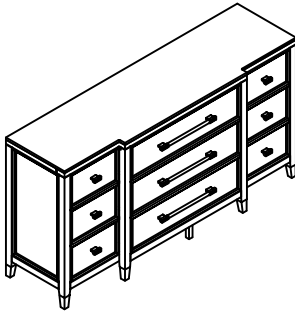
ASSEMBLY INSTRUCTIONS

ITEM 305-P324100
DRESSER

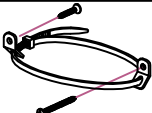
Thank you for purchasing this quality product. Be sure to check all packing material carefully for small hardware which may have come loose inside the carton during shipment. Identify and count all hardware and compare with the hardware list below.

When placing furniture on non-carpeted flooring, HMI recommends the use of floor protection such as an area rug or furniture pads. Area rugs and padding not included with purchase.

PARTS LIST

No.	Description	Sketch	Quantity
1	DRESSER		1

HARDWARE LIST

No.	Description	Sketch	Quantity
A	Anti-Tipping Restraint		1

TOOLS REQUIRED (NOT PROVIDED)

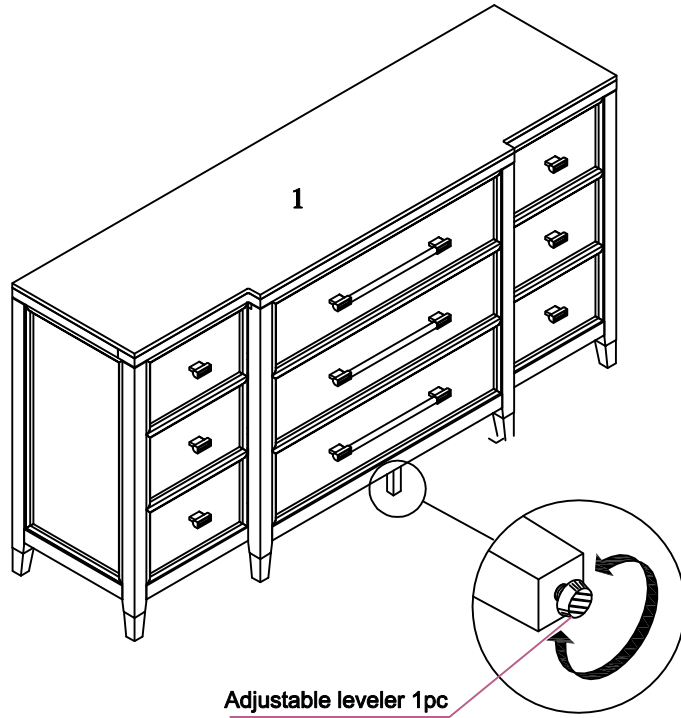


PHILLIPS SCREWDRIVER

ASSEMBLY INSTRUCTIONS

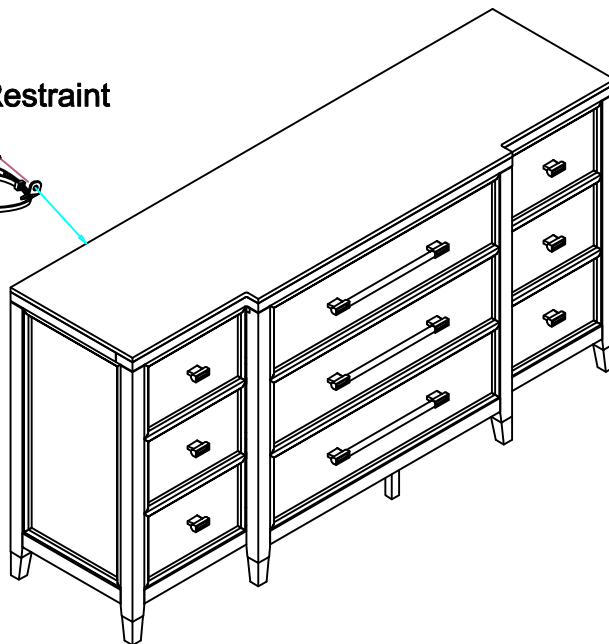
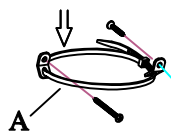
**ITEM 305-P324100
DRESSER**

STEP 2



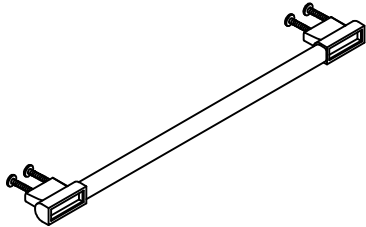
STEP 2

Anti-Tipping Restraint



REPLACEMENT PARTS

**ITEM 305-P324100
DRESSER**



x3 RP324100-PULL-Pull with screw



x6 RP324100-KNOB-Knob with screw



x6 COMGLIDE-12"-35- Glide 12inch 35mm



x3 COMGLIDE-12"-45- Glide 12inch 45mm



x1 RC-FG BROWN- Brown Leveler



x1 RP324100-CELEG- Center Support Leg



x1 RC-ANTI-TIP - Anti-Tipping Restraint



x6 RC-WH-NAIL-White Plastic nail