

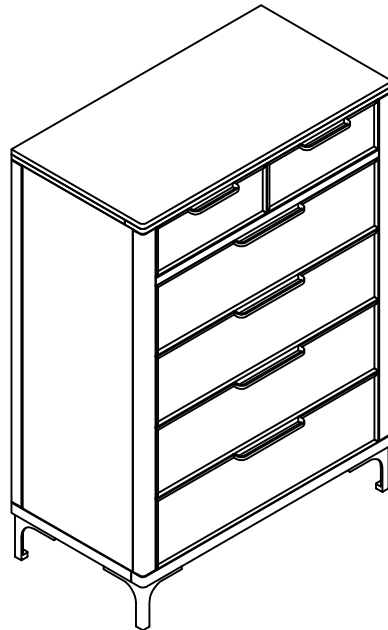
**PARTS LIST / DIAGRAM**

PRODUCT NAME / NUMBER(S) : 305-P323DJ124

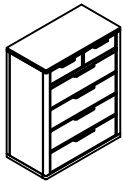
Description if Available / Needed : Chest

Commode à tiroirs

Cómodae



**A**



x1 Chest  
x1 Commode à tiroirs  
x1 Cómodae

**B**



x4 Metal leg  
x4 Jambe en métal  
x4 Pata de metal

**C**



x12 Bolt  $\phi 5/16$ "x25mm  
x12 Boulon  $\phi 5/16$ "x25mm  
x12 Perno  $\phi 5/16$ "x25mm

**D**



x12 Lock washer  $\phi 5/16$ "  
x12 Rondelle de blocage  $\phi 5/16$ "  
x12 Arandela de Seguridad  $\phi 5/16$ "

**E**



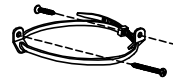
x12 Flat Washer  $\phi 5/16$ "x19mm  
x12 Rondelle plate  $\phi 5/16$ "x19mm  
x12 Arandela plana  $\phi 5/16$ "x19mm

**F**



x1 Allen Key 5mm  
x1 Clé hexagonale 5mm  
x1 Llave Allen 5mm

**G**



x1 Furniture Tipping Restraint  
x1 Systeme antibasculement  
x1 Control para evitar vulcos

\*Replaceable part

**PARTS LIST / DIAGRAM**

PRODUCT NAME / NUMBER(S) : 305-P323DJ124

Description if Available / Needed : Chest

Commode à tiroirs

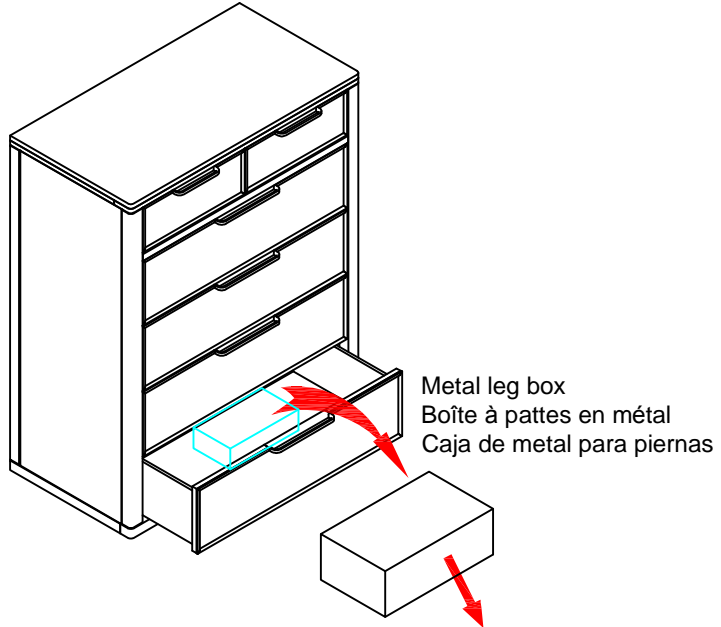
Cómodae

**1**

**STEP 1**

**ÉTAPE 1**

**PASO 1**

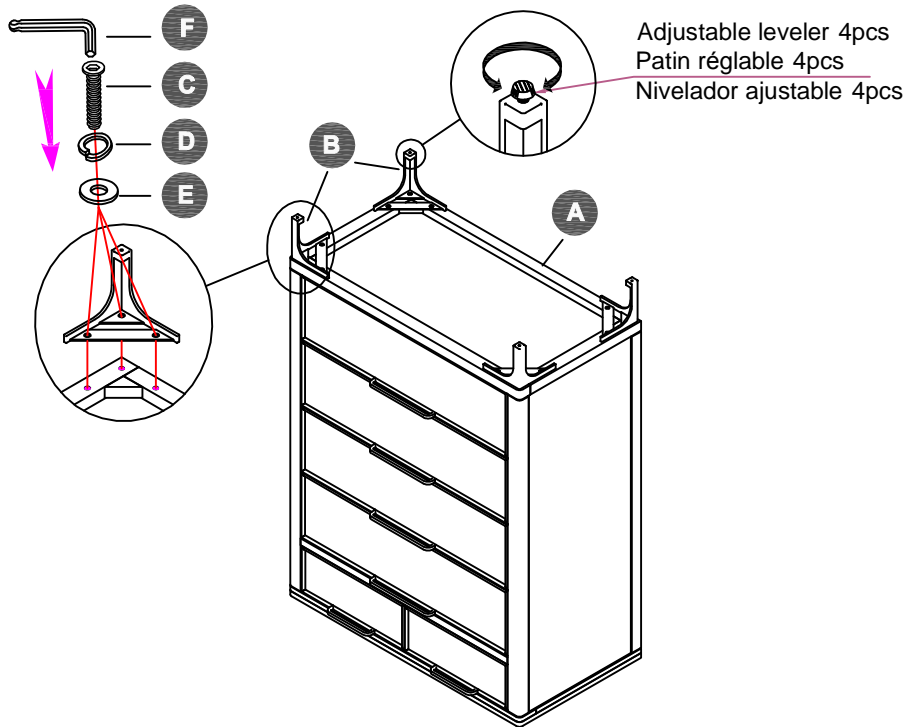


**2**

**STEP 2**

**ÉTAPE 2**

**PASO 2**



\*Replaceable part

**PARTS LIST / DIAGRAM**

PRODUCT NAME / NUMBER(S) : 305-P323DJ124

Description if Available / Needed : Chest

Commode à tiroirs

Cómodae

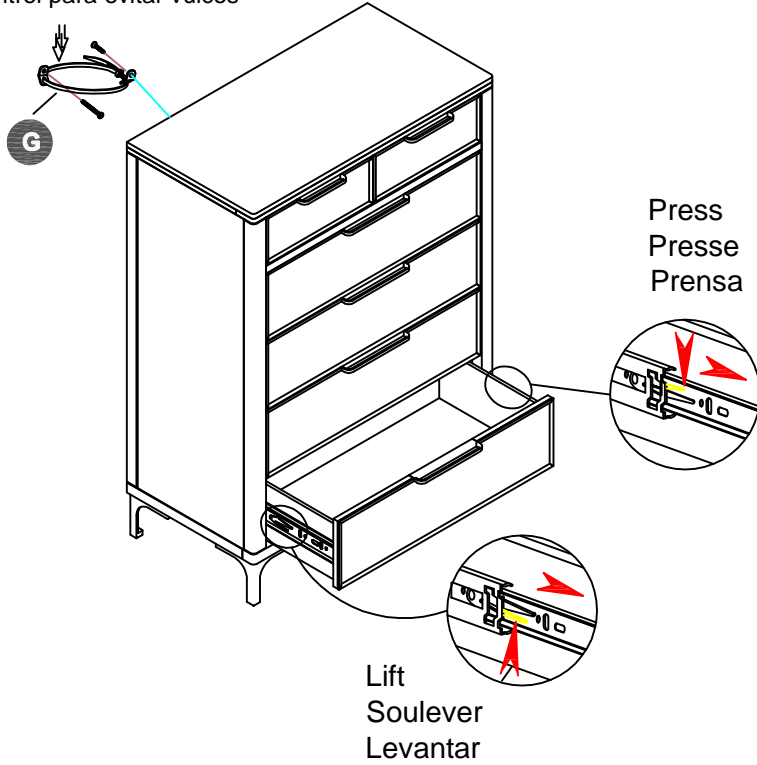
**3**

**STEP 3**

**ÉTAPE 3**

**PASO 3**

Furniture Tipping Restraint  
Système antibasculement  
Control para evitar vulcos



\*Replaceable part