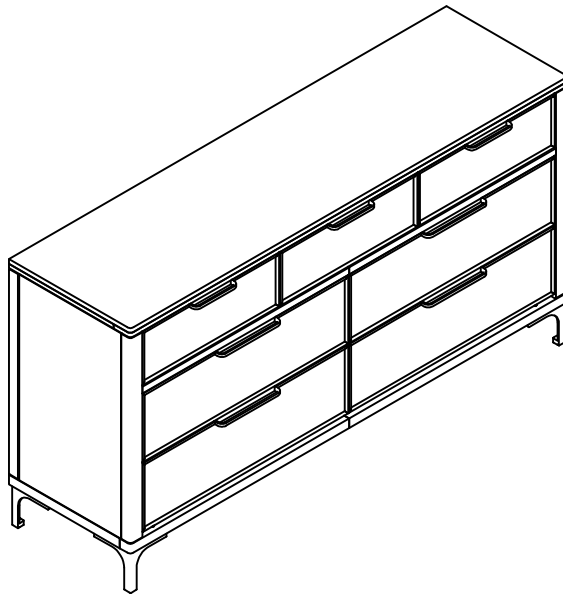


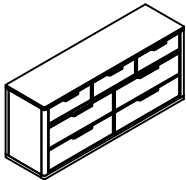
PARTS LIST / DIAGRAM

PRODUCT NAME / NUMBER(S) : 305-P323DJ100

Description if Available / Needed : Dresser
Commode
Tocador



A



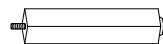
x1 Dresser
x1 Commode
x1 Tocador

B



x4 Metal leg
x4 Jambe en métal
x4 Pata de metal

C



x1 Center leg
x1 Pattes centrales
x1 Patas centrales

D



x12 Bolt $\phi 5/16$ "x25mm
x12 Boulon $\phi 5/16$ "x25mm
x12 Perno $\phi 5/16$ "x25mm

E



x12 Lock washer $\phi 5/16$ "
x12 Rondelle de blocage $\phi 5/16$ "
x12 Arandela de Seguridad $\phi 5/16$ "

F



x12 Flat Washer $\phi 5/16$ "x19mm
x12 Rondelle plate $\phi 5/16$ "x19mm
x12 Arandela plana $\phi 5/16$ "x19mm

G



x1 Allen Key 5mm
x1 Clé hexagonale 5mm
x1 Llave Allen 5mm

H



x1 Furniture Tipping Restraint
x1 Systeme antibasculement
x1 Control para evitar vulcos

*Replaceable part

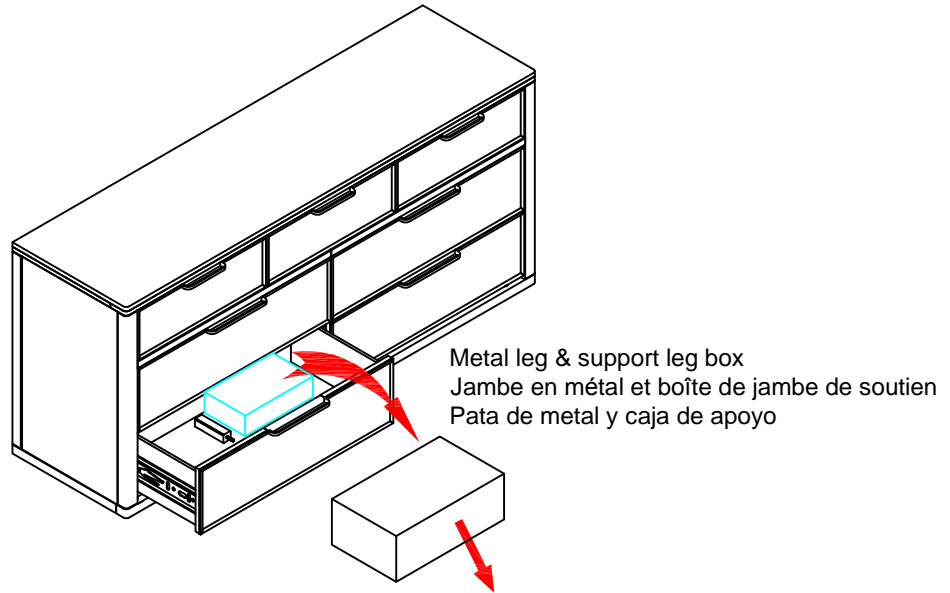
PARTS LIST / DIAGRAM

PRODUCT NAME / NUMBER(S) : 305-P323DJ100

Description if Available / Needed : Dresser
Commode
Tocador

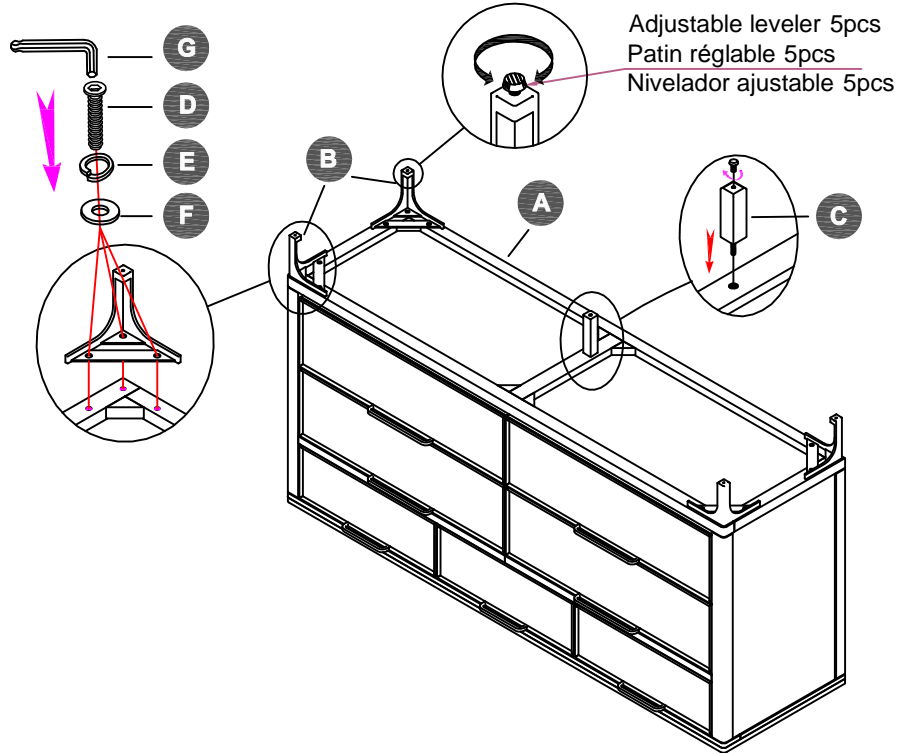
1

**STEP 1
ÉTAPE 1
PASO 1**



2

**STEP 2
ÉTAPE 2
PASO 2**



*Replaceable part

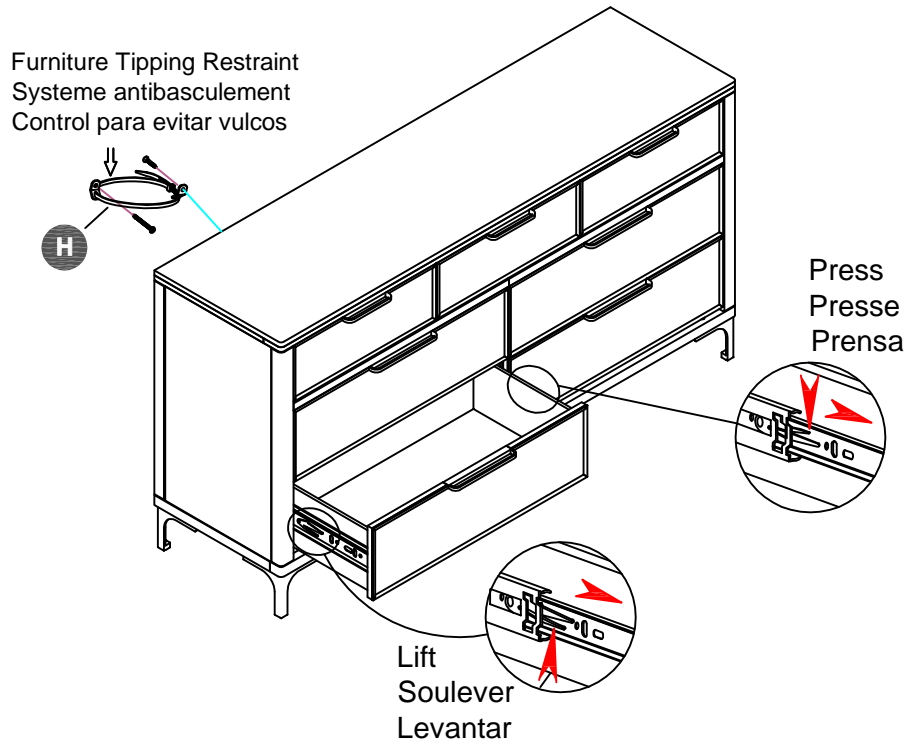
PARTS LIST / DIAGRAM

PRODUCT NAME / NUMBER(S) : 305-P323DJ100

Description if Available / Needed : Dresser
Commode
Tocador

3

STEP 3
ÉTAPE 3
PASO 3



*Replaceable part