



LIVING SPACES

ASSEMBLY INSTRUCTIONS

ITEM 305-P323240/241

Rectangular table base/ Rectangular table top

Thank you for purchasing this quality product. Be sure to check all packing material carefully for small hardware which may have come loose inside the carton during shipment. Identify and count all hardware and compare with the hardware list below.

When placing furniture on non-carpeted flooring, HMI recommends the use of floor protection such as an area rug or furniture pads. Area rugs and padding not included with purchase.

PARTS LIST

No.	Description	Sketch	Quantity
1	Table Top		1
2	Metal Leg		2
3	Metal stretcher		1

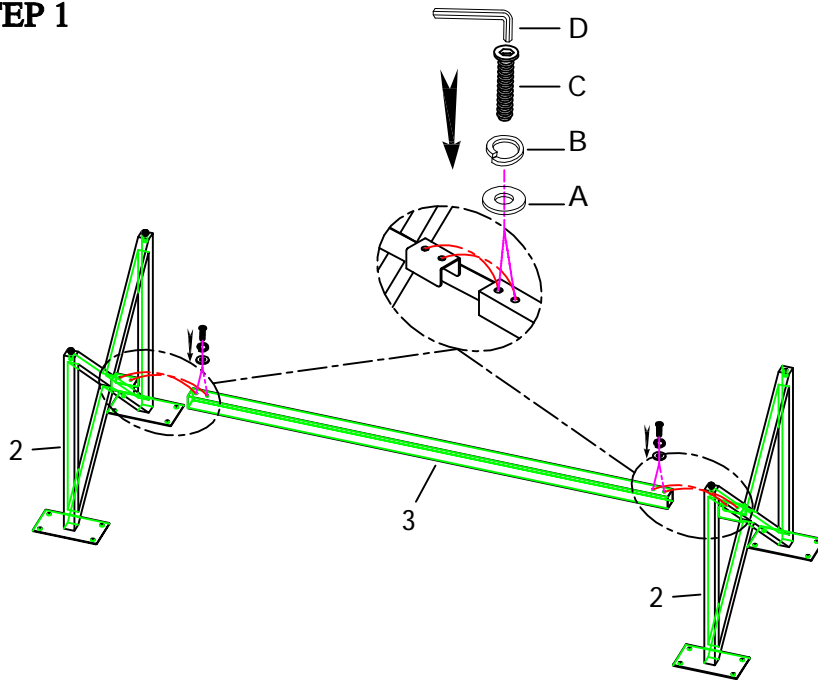
HARDWARE LIST

No.	Description	Sketch	Side	Quantity
A	Flat washer		ø1/4"*16*2mm	4
B	Lock washer		ø1/4"	4
C	Long Allen Bolt		ø1/4"*3/4"	4
D	Allen key		ø1/4"	1
E	Flat washer		ø5/16"*19*2mm	16
F	Lock washer		ø5/16"	16
G	Long Allen Bolt		ø5/16"*3/4"	16
H	Allen key		ø5/16"	1

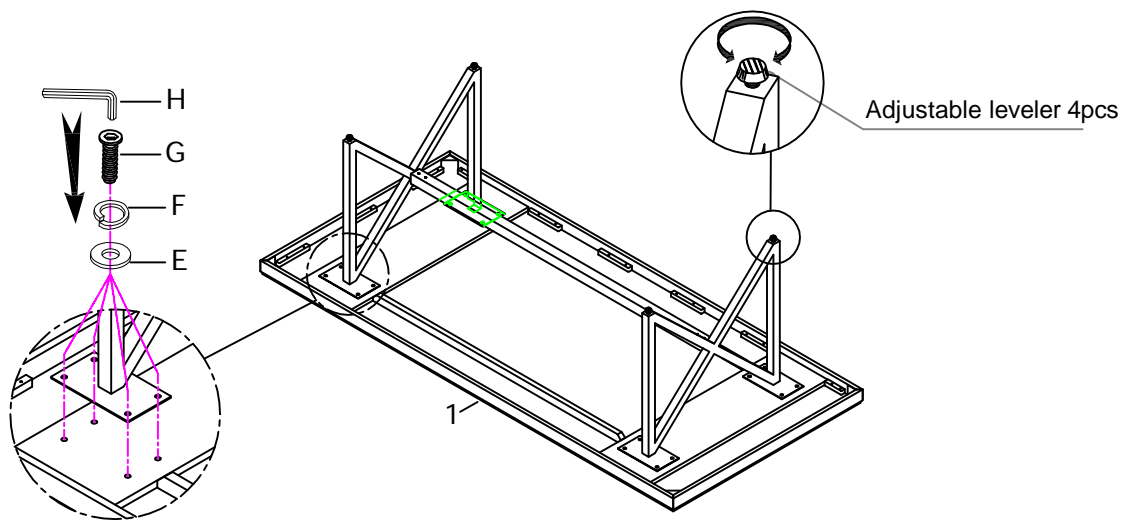
ASSEMBLY INSTRUCTIONS

ITEM **305-P323240/241**
Rectangular table base/ Rectangular table top

STEP 1



STEP 2



REPLACEMENT PARTS

ITEM 305-P323240/241
Rectangular table base/ Rectangular table top



x1 RP305-P323241-HWKIT-Hardware Kit



x4 RC-FG BROWN- Brown Leveler