

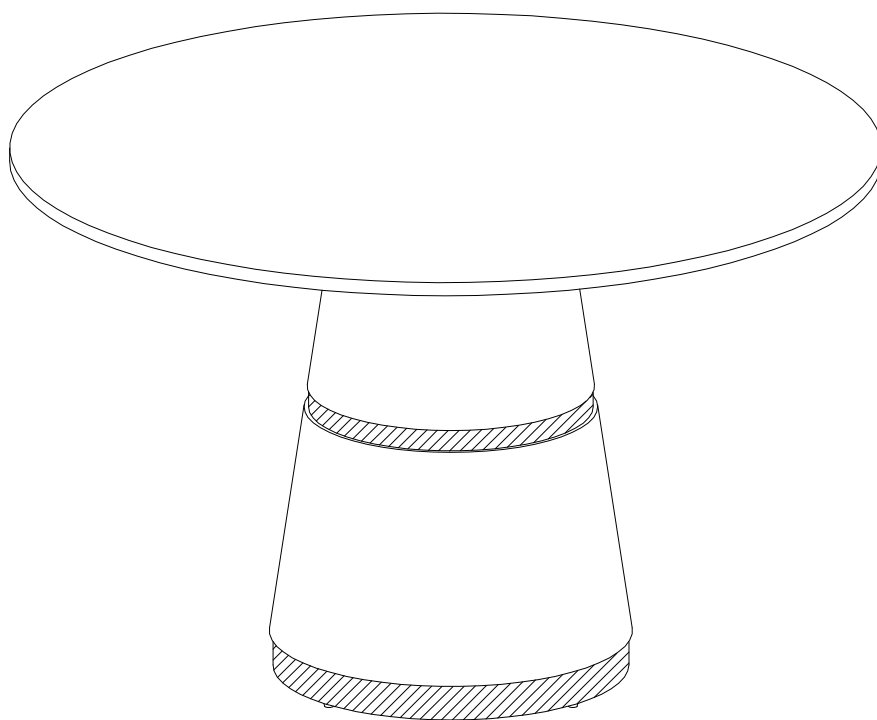
T Ö V  
FURNITURE

Rosa Dining Table  
TOV-GT5505


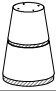

# ROSA

---


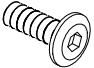
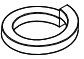


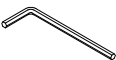
## ASSEMBLY INSTRUCTIONS



## PARTS LIST

LABEL	PICTURE	DESCRIPTION	QTY
A		Top	1
B		Base	1
C		Connecting Piece	1

## HARDWARE

LABEL	PICTURE	DESCRIPTION	QTY
D		Screw M6*16	4
E		Screw M8*25	4
F		Spring Shim M8	4
G		Washer Ø(18-8)*1.5	4
H		Allen Key Ø4	1
I		Allen Key Ø5	1

### BEFORE BEGINNING ASSEMBLY:



*Read instructions cover to cover*



*Have two adults on hand for assembly*



*Do NOT assemble on flooring or carpet. Assemble on a clean non-marring surface (ex: packing foam)*



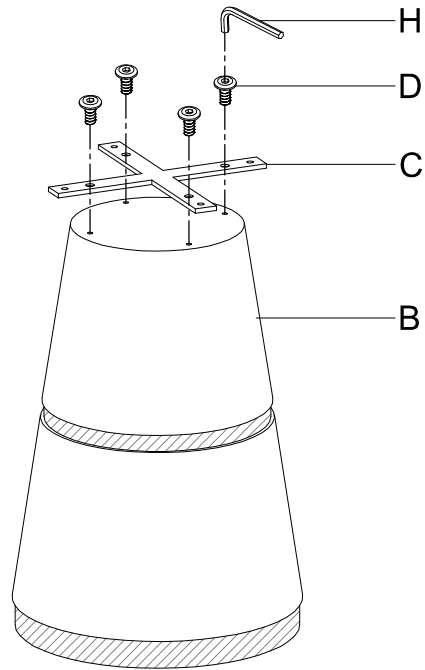
*Save all packaging until assembly is completed*

---

# ASSEMBLY STEPS

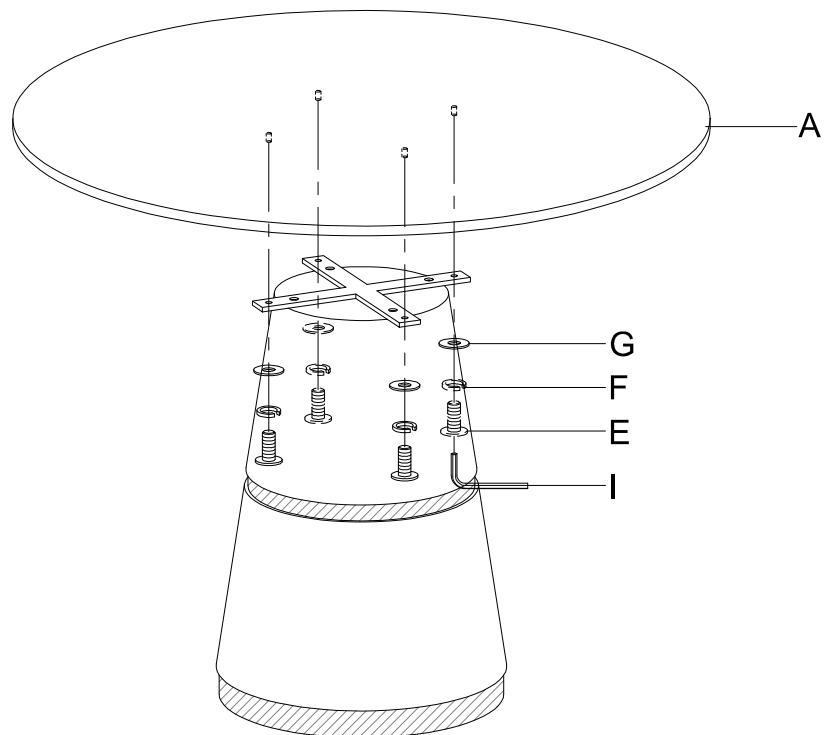
---

## STEP 1



---

## STEP 2



## **CARE & MAINTENANCE**



**Do not put hot items directly on furniture surface.**



**Do not clean furniture with harsh cleansers or polish.**



**Dust and pick up spills using a clean, non-colored, lint-free cloth.**



**Stains may be removed with mild soap solution and damp cloth.**



**Do not place furniture under direct sunlight.**



**Do not place furniture near heating or cooling vents.**



**Do not write on furniture without a padded barrier to protect the surface.**



**Do not place furniture outside. For indoor use only.**