



LIVING SPACES

ASSEMBLY INSTRUCTIONS

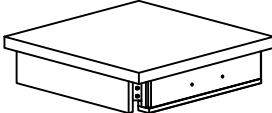
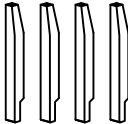
ITEM 305-P257255

BARNETT END TABLE





Thank you for purchasing this quality product. Be sure to check all packing material carefully for small hardware which may have come loose inside the carton during shipment. Identify and count all hardware and compare with the hardware list below.

When placing furniture on non-carpeted flooring, HMI recommends the use of floor protection such as an area rug or furniture pads. Area rug and padding not included with purchase.

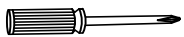
PARTS LIST

No.	Description	Sketch	Quantity
1	Top Panel		1
2	Legs		4

HARDWARE LIST

No.	Description	Size	Sketch	Quantity
A	Bolt Hex Com	5/16 x 2 1/2"		8
B	Spring Washer	M8		8
C	Flat Washer	M8		8
D	Wrench	13MM		1

TOOLS REQUIRED (NOT PROVIDED)



PHILLIPS HEAD SCREWDRIVER

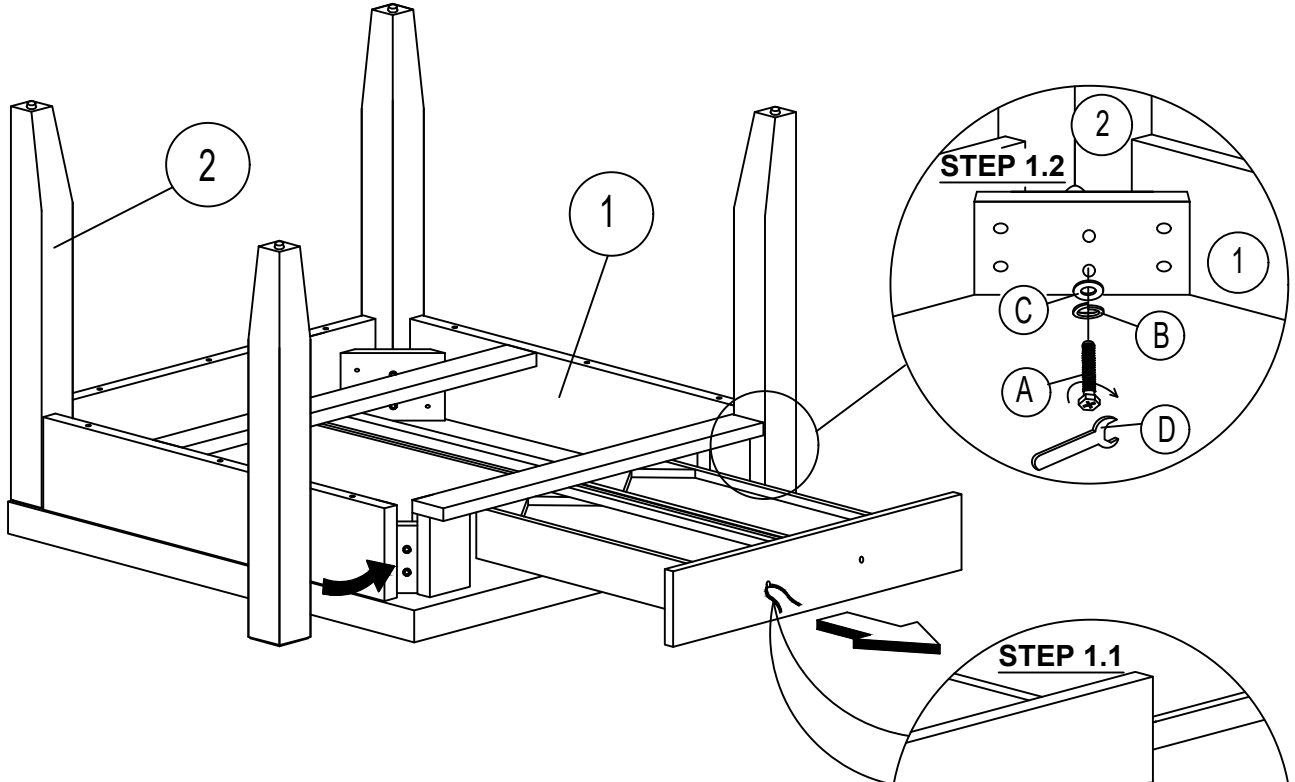


LIVING SPACES

ASSEMBLY INSTRUCTIONS

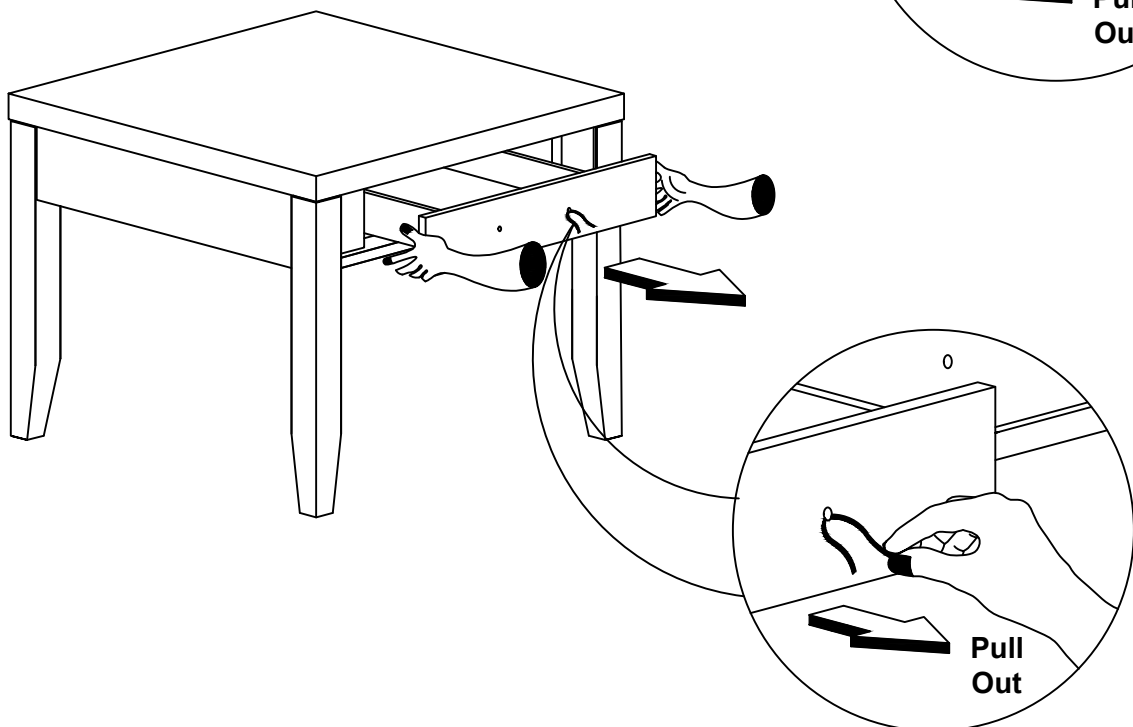
STEP 1

Turn the Top Panel (1) upside down on the protective surface.
Pull out the Drawer to make sure it has ample of space to insert and secure the bolts.
Assembly the Legs (2) with top panel as shown.



STEP 2

Pull out the Drawer by nylon string as show.



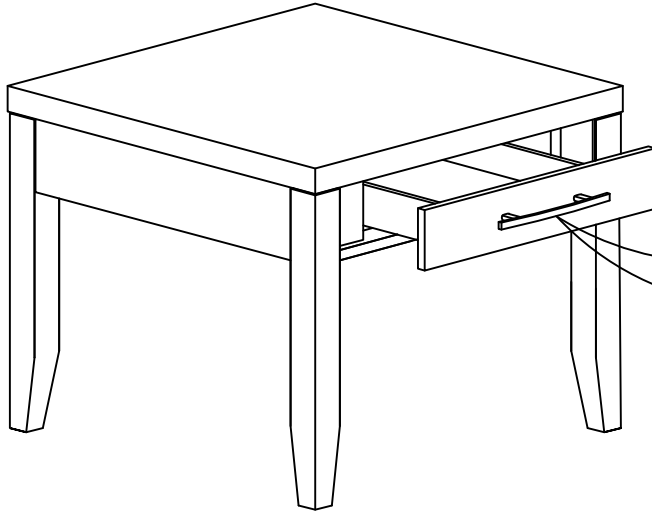


LIVING SPACES

ASSEMBLY INSTRUCTIONS

STEP 3

Fixed the handle to the Drawer Head as show.



STEP 3.1 Assembly tool screw driver

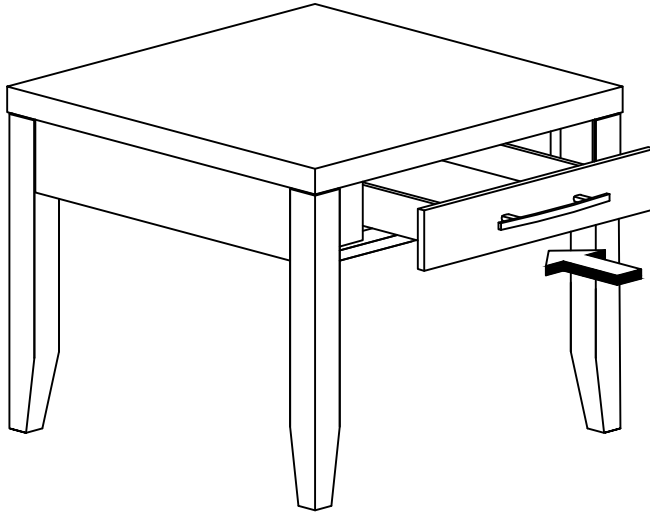
Inside Drawer

STEP 3.2

Outside Drawer

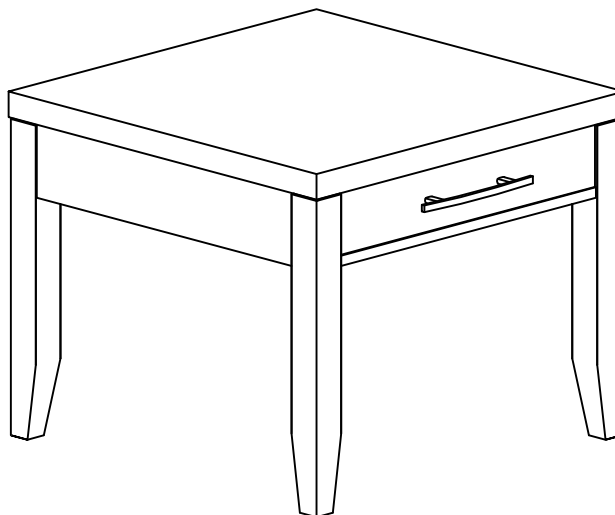
STEP 4

Push toward the Drawer until it stop.



STEP 5

Completed





LIVING SPACES

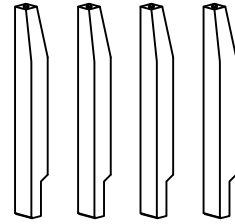
REPLACEMENT PARTS

ITEM 305-P257255

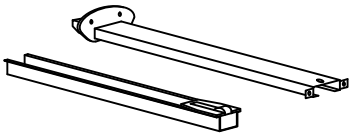
BARNETT END TABLE



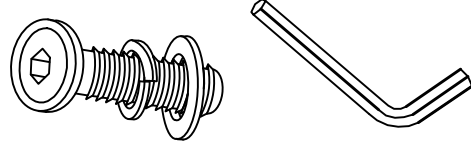
x1 RP257255- PULL
Pull with Screw



x4 RP257255- LEG
Legs



x1 RP257255- DG
Drawer Glide



x1 RP257255- HWKIT
Hardware Kit