



LIVING SPACES

ASSEMBLY INSTRUCTIONS

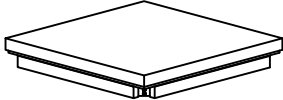
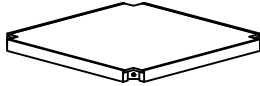
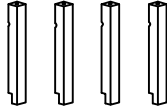
ITEM 305-P235255

MEADOWLARK END TABLE





Thank you for purchasing this quality product. Be sure to check all packing material carefully for small hardware which may have come loose inside the carton during shipment. Identify and count all hardware and compare with the hardware list below.

When placing furniture on non-carpeted flooring, HMI recommends the use of floor protection such as an area rug or furniture pads. Area rug and padding not included with purchase.

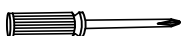
PARTS LIST

No.	Description	Sketch	Quantity
1	Top Panel		1
2	Bottom Panel		1
3	Legs		4

HARDWARE LIST

No.	Description	Size	Sketch	Quantity
A	Bolt Hex Com	5/16 x 2 1/2"		12
B	Spring Washer	M8		12
C	Flat Washer	M8		12
D	Wrench	13MM		1

TOOLS REQUIRED (NOT PROVIDED)



PHILLIPS HEAD SCREWDRIVER

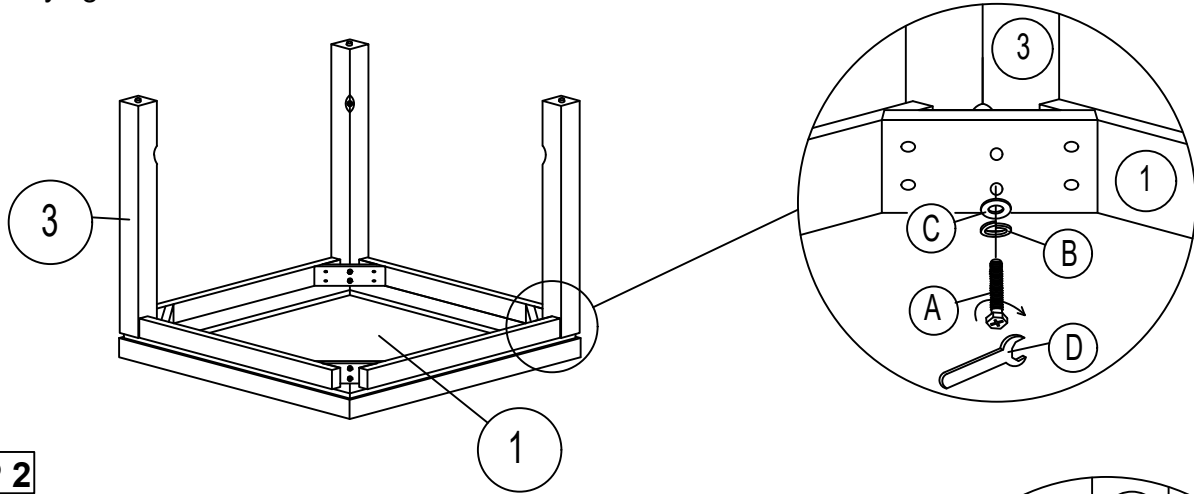


LIVING SPACES

ASSEMBLY INSTRUCTIONS

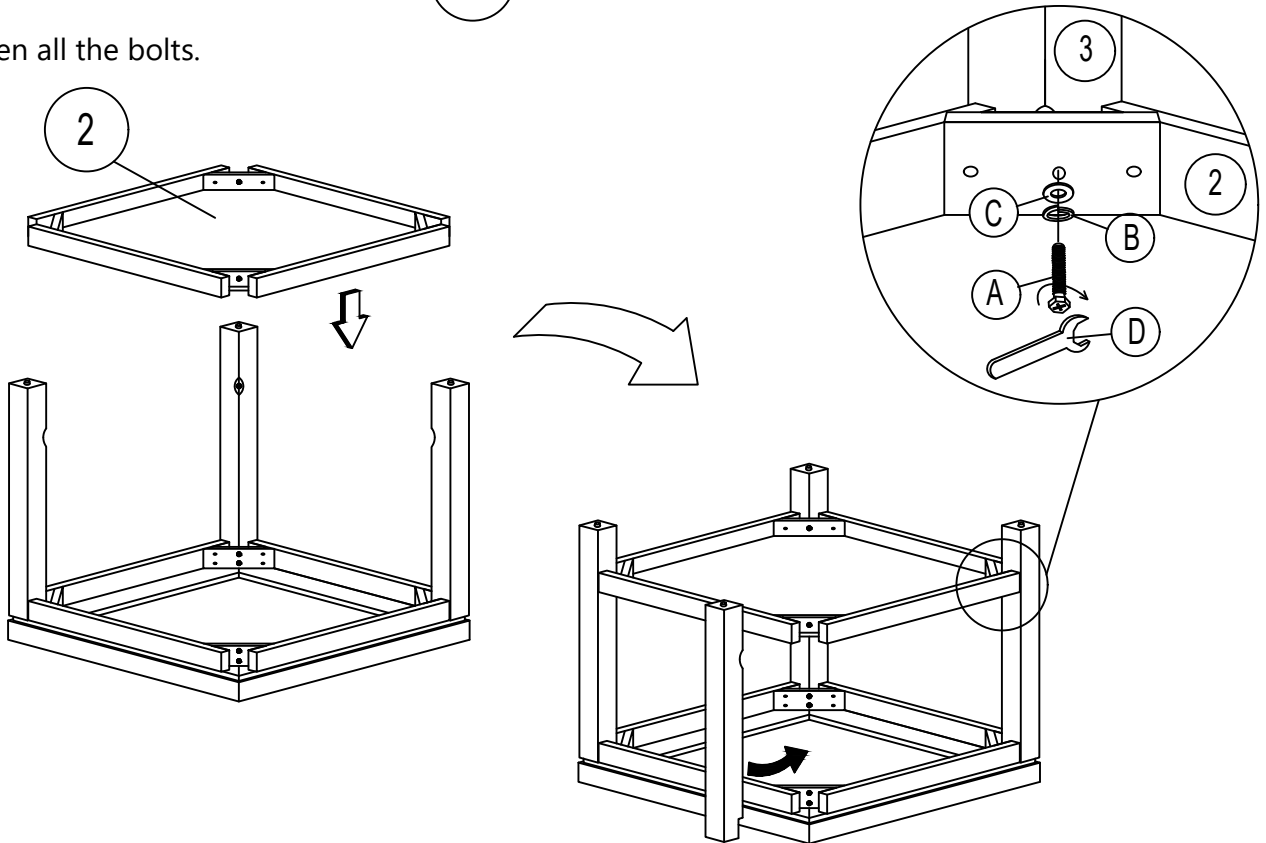
STEP 1

Do not fully tighten at this moment.



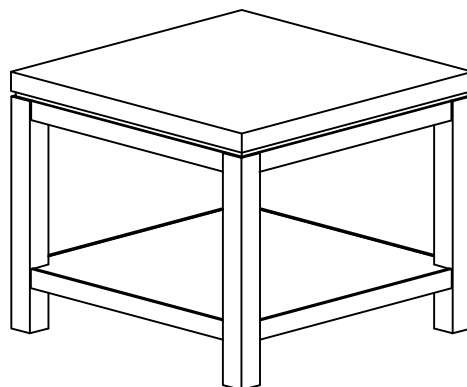
STEP 2

Fully tighten all the bolts.



STEP 3

Completed



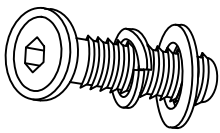


LIVING SPACES

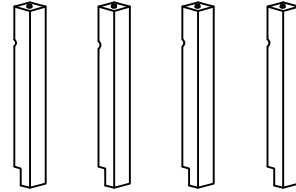
REPLACEMENT PARTS

ITEM 305-P235255

MEADOWLARK END TABLE



x1 RP235255- HWKIT
Hardware Kit



x4 RP235255- LEG
Legs