

LIVING SPACES

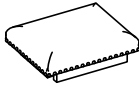

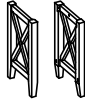






OWNER'S MANUAL

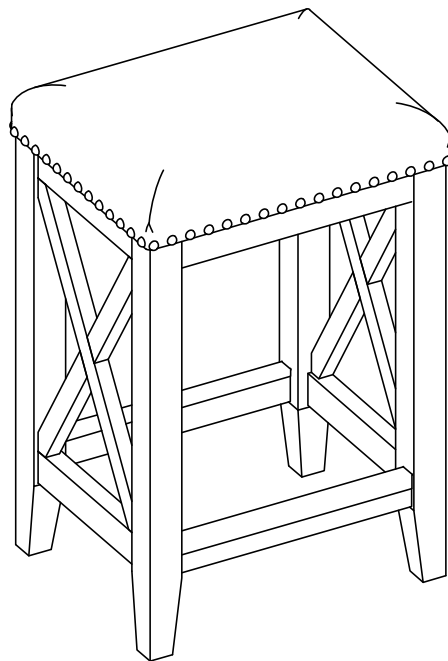
JAXON COUNTER STOOL
 LIVING SPACES SKU : 275774
 VENDOR ITEM NO. : 7YU670




Scan QR code to view assembly video

ASSEMBLY PARTS LIST

SKU #	IMAGE	DESCRIPTION	QUANTITY	HARDWARE KIT PACKED IN BOX			
				SKU : 7YZZ70HW			
				SKU #	IMAGE	DESCRIPTION	QUANTITY
275774-1		SEAT	1	7YZZ70HW-1		ALLEN BOLT (5/16" x 35mm)	2
275774-2		LEG FRAME	2	7YZZ70HW-2		ALLEN BOLT (5/16" x 60mm)	4
				7YZZ70HW-3		FLAT WASHER (5/16")	6
7YU670ST		STRETCHER	2	7YZZ70HW-4		LOCK WASHER (5/16")	6
				7YZZ70HW-5		ALLEN KEY	1
FULLY ASSEMBLED				7YZZ70HW-6		WOOD SCREW (4 x 40mm)	4



PRE-ASSEMBLED PARTS LIST

SKU #	IMAGE	DESCRIPTION	SKU #	IMAGE	DESCRIPTION
7YZZCPFC18		FOOT CAP			

LIVING SPACES

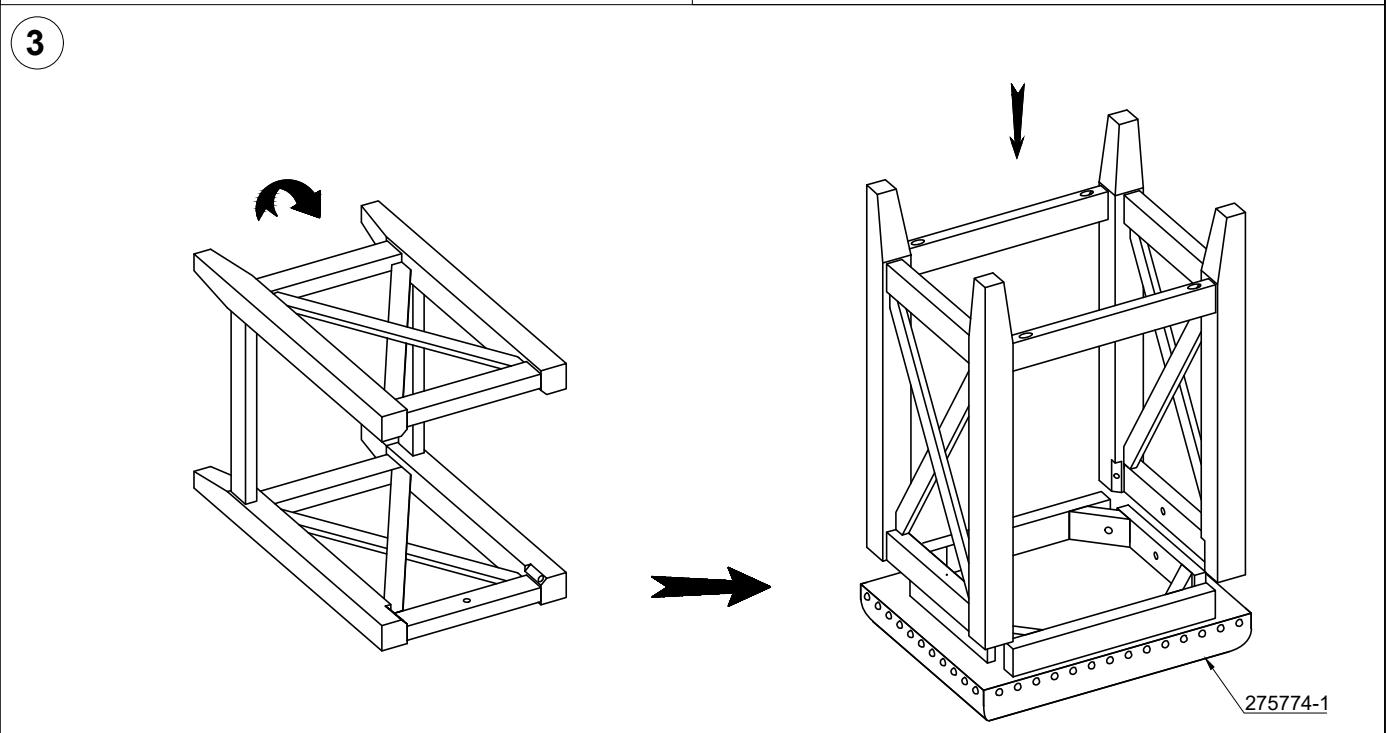
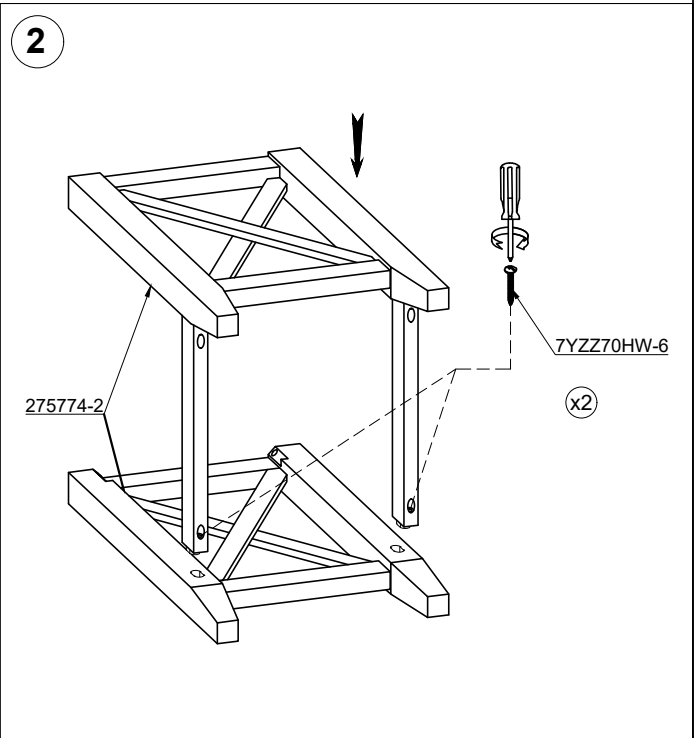
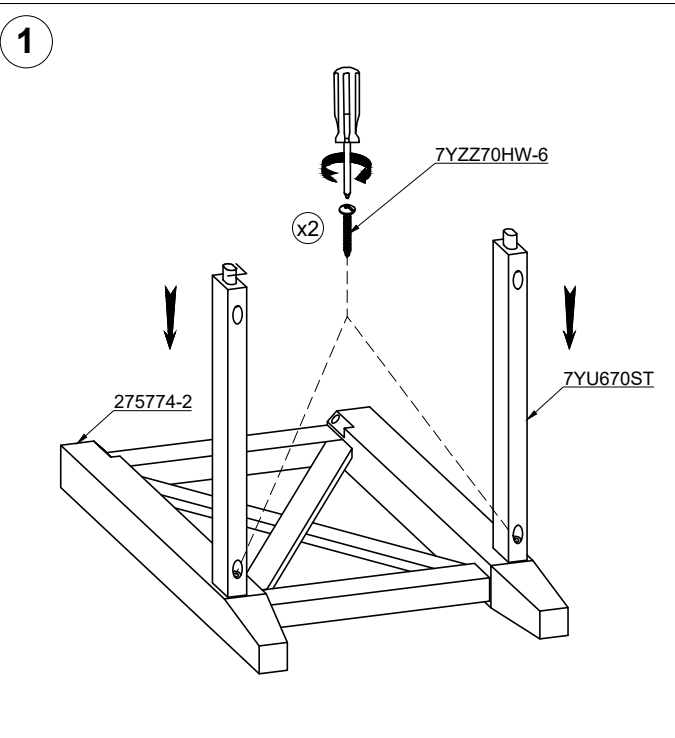
OWNER'S MANUAL

JAXON COUNTER STOOL
LIVING SPACES SKU : 275774
VENDOR ITEM NO. : 7YU670



Scan QR code to view assembly video

ASSEMBLY INSTRUCTIONS



LIVING SPACES

OWNER'S MANUAL

JAXON COUNTER STOOL
LIVING SPACES SKU : 275774
VENDOR ITEM NO. : 7YU670

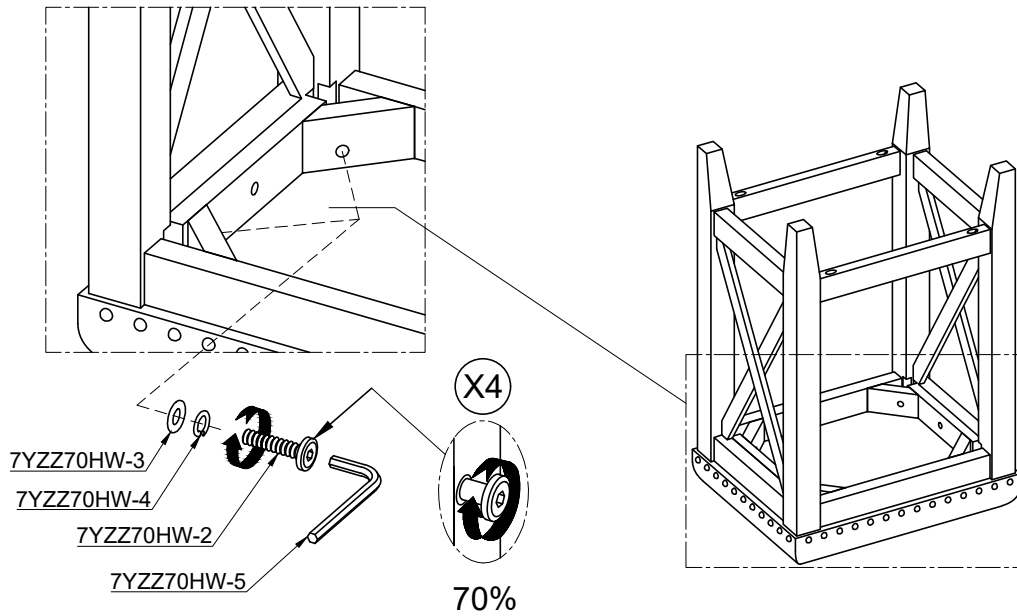


Scan QR code to view assembly video

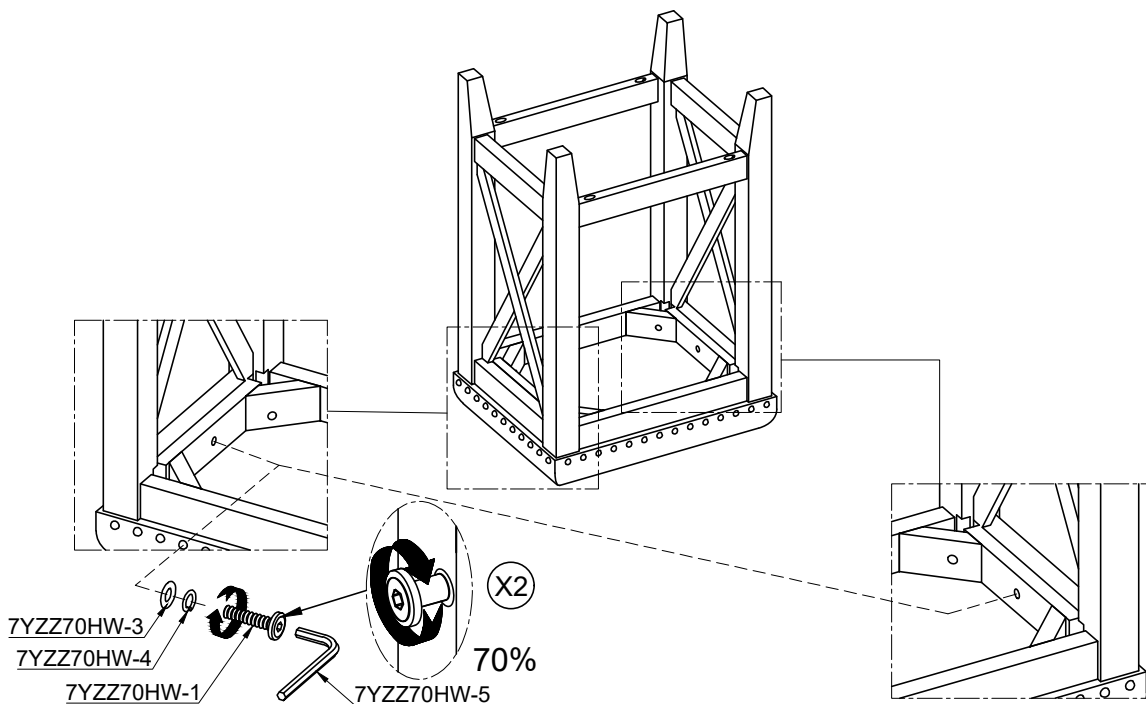
ASSEMBLY INSTRUCTIONS



4



5



LIVING SPACES

OWNER'S MANUAL

JAXON COUNTER STOOL
LIVING SPACES SKU : 275774
VENDOR ITEM NO. : 7YU670

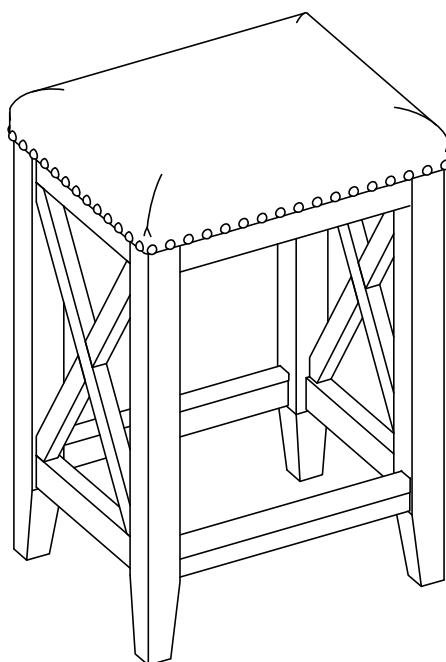
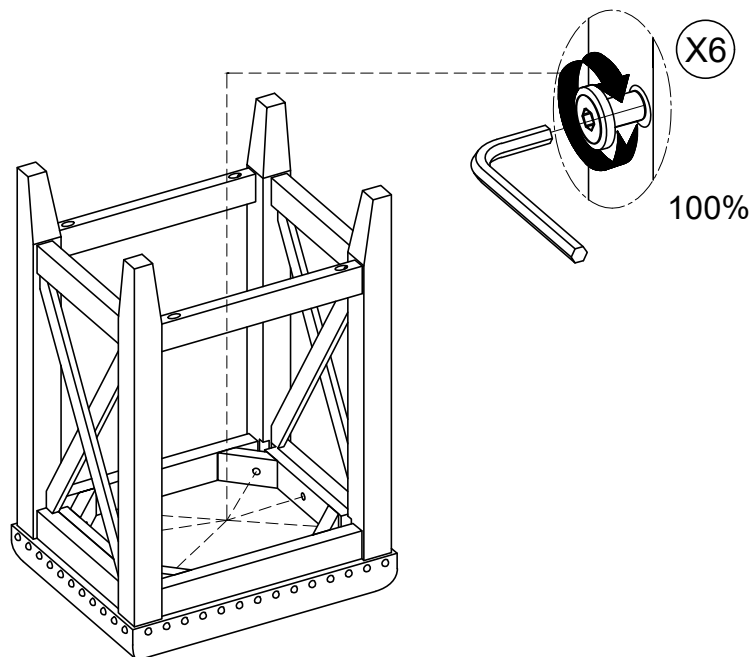


Scan QR code to view assembly video

ASSEMBLY INSTRUCTIONS



6



ASSEMBLY COMPLETE

LIVING SPACES

OWNER'S MANUAL

*JAXON COUNTER STOOL
LIVING SPACES SKU : 275774
VENDOR ITEM NO. : 7YU670*



Scan QR code to view assembly video

WARNING:



- Maximum distributed load capacity: 300 lbs.
- This product is designed for use in a normal seated position with all legs contacting the floor. Unintended use may result in damage or injury.

ROUTINE MAINTENANCE:

Periodically check all fittings and tighten if necessary as they can loosen over time.

CARE AND CLEANING:

SOLID WOOD FURNITURE:

Congratulations on purchasing this handcrafted solid wood furniture product. Please keep in mind that wood is sensitive to changes in humidity. As the weather changes so does the relative humidity in your home and the moisture content of your solid wood furniture. We have taken every precaution to stabilize the lumber used to build this product. Still, you may observe plank movement or small cracks as the seasons change, particularly during the first 6-12 months of ownership. This is normal for solid wood furniture and will not affect the performance or longevity of this product.

Dust frequently with a clean, damp, lint-free cloth. Frequent dusting will remove abrasive build-up which can damage a finish over time. Avoid using oily polishes or waxes. Avoid exposing your furniture to strong sunlight. Prolonged exposure to direct sunlight can fade the finish of your furniture. Do not expose your furniture to any liquids. Never allow water to sit on your furniture. Do not place hot items on top of surface, always use a mat or other protector. Alcohol, nail polish and perfume are also dangerous, as they can dissolve the furniture finish on contact and may require professional repairs.

LIVING SPACES

OWNER'S MANUAL

*JAXON COUNTER STOOL
LIVING SPACES SKU : 275774
VENDOR ITEM NO. : 7YU670*



Scan QR code to view assembly video

UPHOLSTERY:

Avoid exposing your furniture to strong sunlight. Prolonged exposure to direct sunlight can fade the finish of your furniture. To clean spots and stains, please follow instructions per the fabric cleaning code. An annual professional cleaning is recommended to keep your upholstery looking its best.

METAL:

Dust frequently with a clean, damp, lint-free cloth soaked in mild soap and water. Avoid the use of chemical and abrasive cleaners, as they can damage the finish. To restore the shine to your metal, soak a cheesecloth in a nonabrasive cleaner (like liquid dish soap) and rub the chrome component lightly until the original luster reappears. Dry the component with a clean soft cloth to remove any soap residue. Iron or steel frames will rust if the finish is scratched or if your furniture is exposed to excessive humidity, particularly in coastal areas.