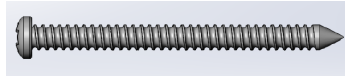
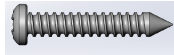


	<u>MAS90: 5043-43300</u>
	MIRROR KIT
<u>QTY:</u>	<u>DESCRIPTION:</u>
4	8 X 1-1/4 PH PAN ZINC
4	8 X 2-1/2 PH PAN ZINC



Press up against the bottom of the dresser top



1 1/4" screws go into top 2 holes

2 1/2" screws go into bottom 2 holes

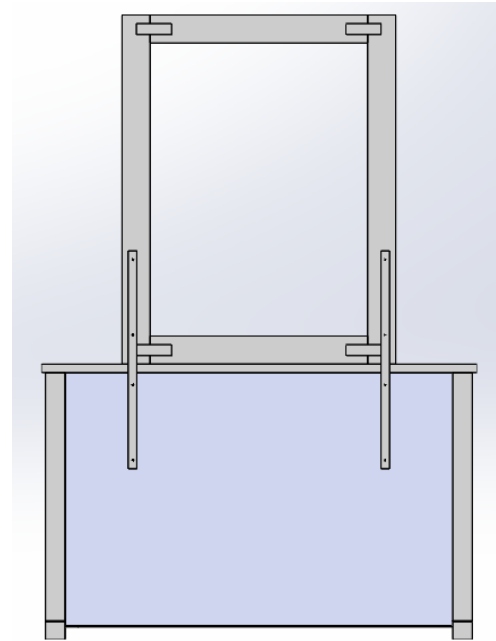
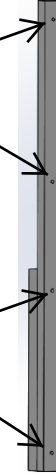
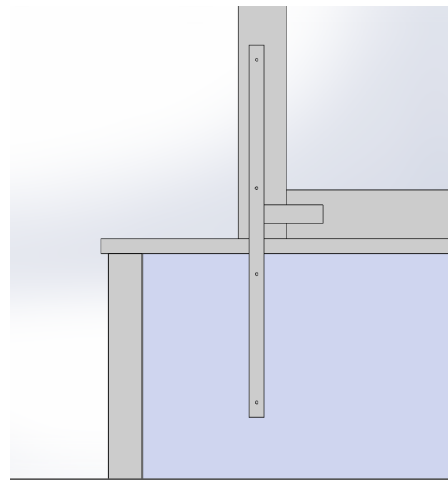


Exhibit A



PARTS LIST:

- A) 1 - Mirror
- B) 2 - Mirror Supports
- C) 4 - 1 1/4" Screws
- D) 4 - 2 1/2" Screws

TOOLS REQUIRED:

- 1) Phillips Head Screwdriver

ASSEMBLY INSTRUCTIONS:

NOTE:

Make sure you have all parts before beginning assembly. If you need a part, contact Living Spaces.

Note: The length of screws to attach is important, but the style is not. Most any screw will work, so long as it's the proper length.

- 1) Hold the mirror (A) up on the back edge of the dresser top and center it before attaching the mirror supports (B).
- 2) With the mirror still centered on the dresser, line up the mirror supports in between the outside edge of the mirror and the strips on the back of the mirror. As shown in exhibit A.
- 3) Once lined up, attach the mirror supports to the dresser using the 2 1/2" screws (D) through the bottom two holes on the mirror supports. Make sure that the thick part of the mirror support is pressed firmly up against the bottom of the dresser top before inserting screws.
- 4) Attach the mirror to the supports using the 1 1/4" screws (C) in the top two holes on the mirror supports.