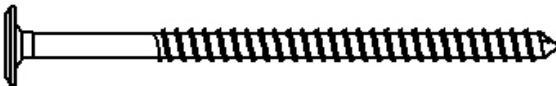




PANEL BED FRAME HARDWARE	
QTY:	DESCRIPTION:
8	100MM DECORATIVE HEAD LAG BOLTS
1	4MM ALLEN WRENCH
10	6 X 1 1/4" PHIL FLAT SLAT SCREW
1	4MM POWER DRILL DRIVER




LAG BOLT



4MM ALLEN WRENCH



PHIL FLAT SLAT SCREW



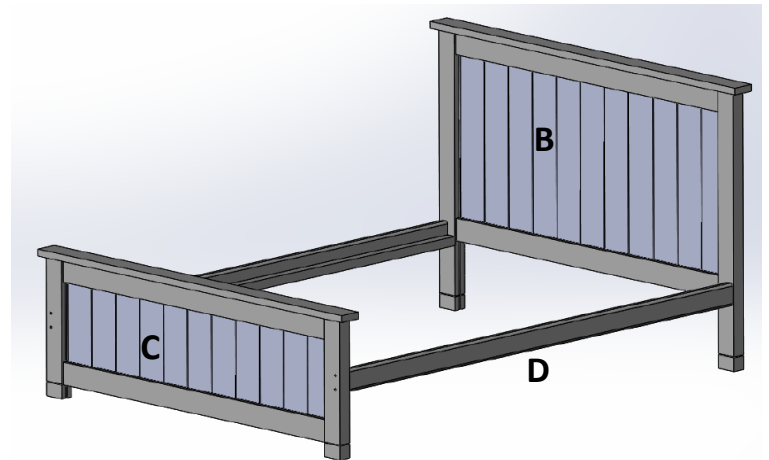
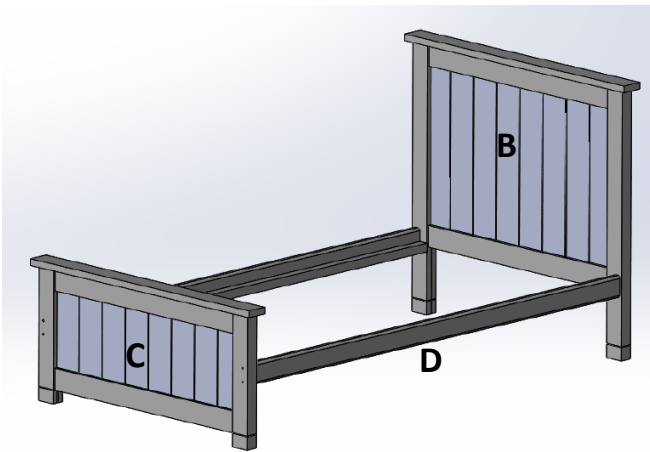
4MM POWER DRILL DRIVER

MATEO / COTTAGE
COLLECTION
TWIN/FULL PANEL BED

7030-01125

4252/4253/4254
TWIN

4255/4256/4257
FULL



PARTS LIST

- A) 8 – 4” Decorative Lag Bolts
- B) 1- Headboard Assembly
- C) 1- Footboard Assembly
- D) 2 -3 1/4" x 75" Mattress Rails w/Support Cleats.
- E) 3 -Twin or Full Mattress Support Slats
- F) 10 -1 1/4” Slat Screws
- G) 1 – 4MM Driver for power drill

BE SURE TO JUST **START** LAGS INTO THE HOLES ON THE FRAME RAILS FOR ASSEMBLY. SPEND TWO ROUNDS TIGHTENING LAGS SLOWLY AROUND EACH BED SURFACE SO THAT YOU DON'T BREAK OUT THE MATTRESS/GUARD RAILS BY DRIVING LAGS IN CROOKED.

TOOLS REQUIRED: Phillips Head Screwdriver - recommended: Drill for 4mm driver and phillips bit (not included)

WHEN USING THE 4mm DRIVER WITH A DRILL, MAKE SURE THAT THE 4mm DRIVER IS FULLY SEATED INTO BOLTS BEFORE TURNING...GIVE THEM A PUSH, YOU'LL FEEL THEM SETTLE IN COMPLETELY.

Make sure you have all parts before beginning assembly. If you need a part, contact Living Spaces

- 1) Attach mattress rails(D), to headboard (B), and footboard (C) with eight lag bolts and tighten as instructed above.
- 2) Roll out Slat Kit across top bunk bed surface, resting on the mattress rail cleats, placing the outer two slats tightly against the bunk bed ends. Install a Slat screw through the slat into the cleat at each of the 4 corners of the bed. A split slat won't hurt anything if the screw holds the slat in place.
- 3) Lay 3 loose mattress slats into the 3 gaps build into the Slat Kit and install slat screw through slat into mattress rail cleats per diagram 2 of Slat Kit instructions.
- 4) Add mattress

When used with a slot roll, the three individual slats should be placed evenly in the gaps and underneath the strapping before fastening.

Diagram 1

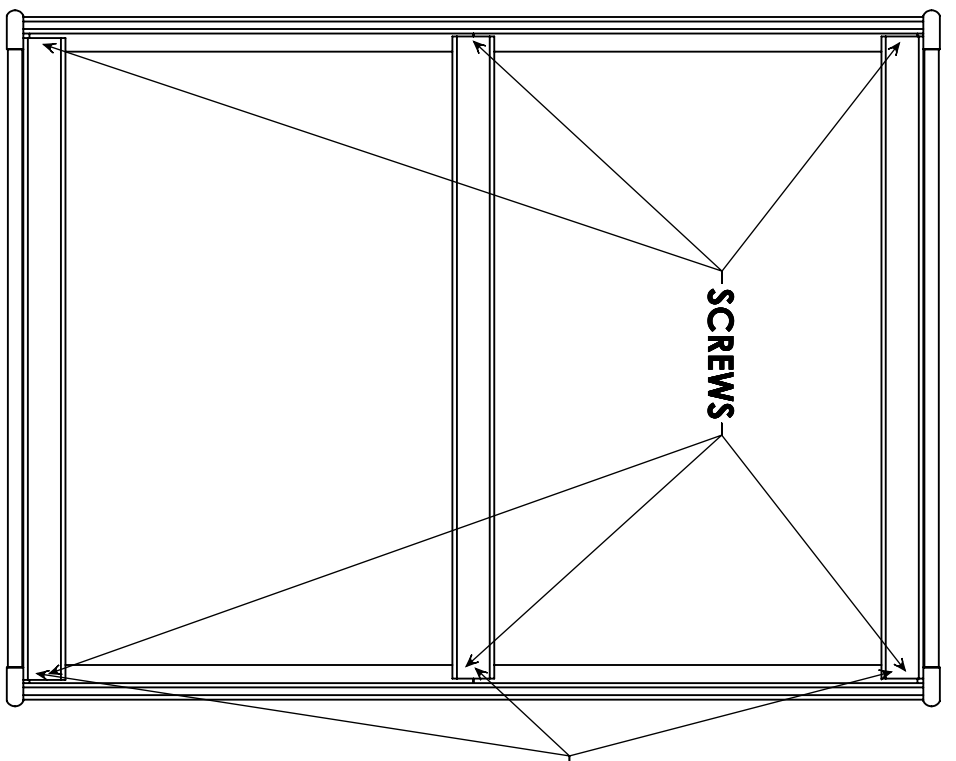
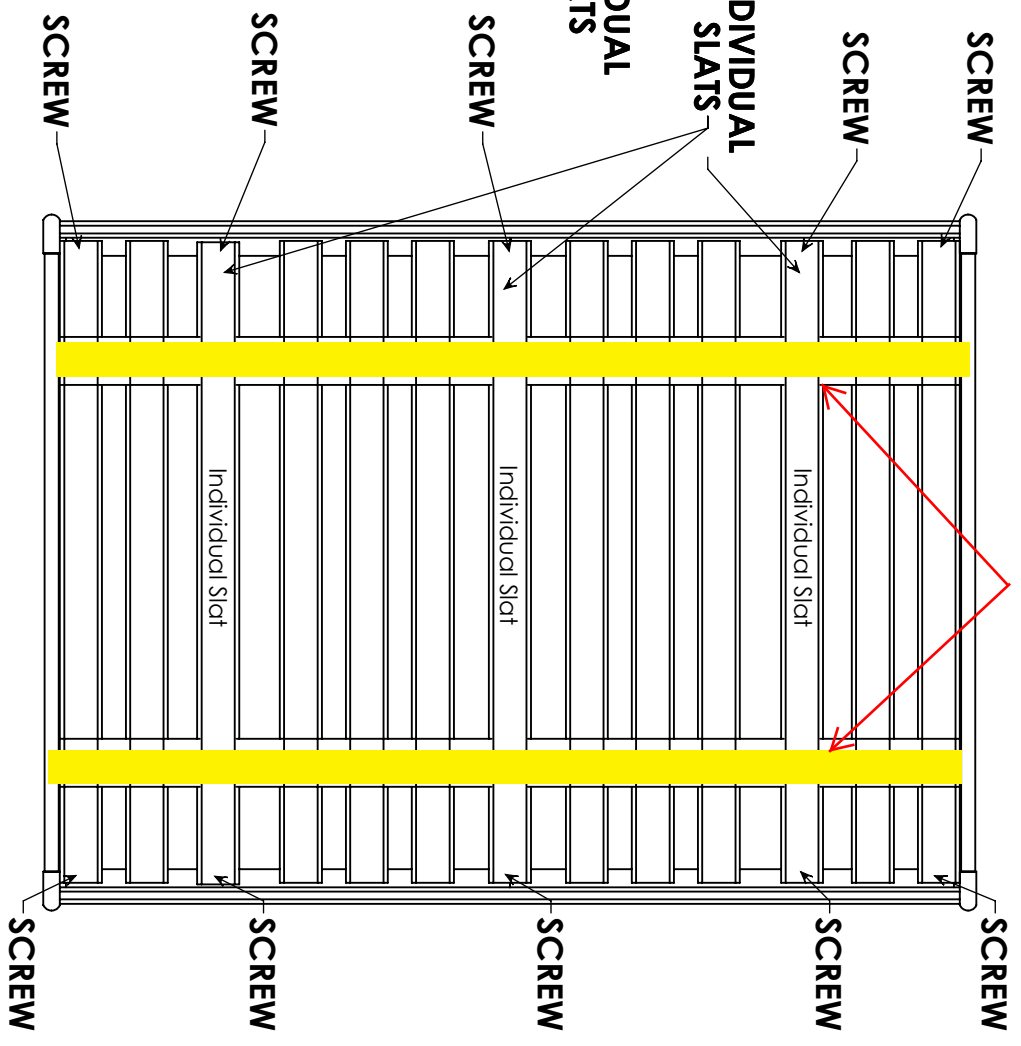


Diagram 2



Installation of individual slats for use with Bunkie Board (Bunkie Board sold separately) See your retailer for purchase of Bunkie Board

Installation of individual slats for use with Slot Roll (Slot roll sold separately) See your retailer for purchase of Slot Roll