



LIVING SPACES

ASSEMBLY INSTRUCTIONS

ITEM 305-P238180 / 184 / 187

6/0 BED

Thank you for purchasing this quality product. Be sure to check all packing material carefully for small hardware which may have come loose inside the carton during shipment. Identify and count all hardware and compare with the hardware list below.

When placing furniture on non-carpeted flooring, HMI recommends the use of floor protection such as an area rug or furniture pads. Area rugs and padding not included with purchase.

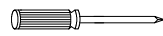
PARTS LIST

| No. | Description | Sketch | Q.ty |
|-----|------------------------------|--------|------|
| 1 | Headboard Panel | | 1 |
| 2 | Headboard Leg (Left & Right) | | 2 |
| 3 | Footboard | | 1 |
| 4 | Slat | | 5 |
| 5 | Slat Support Leg | | 10 |
| 6 | Side Rail | | 2 |

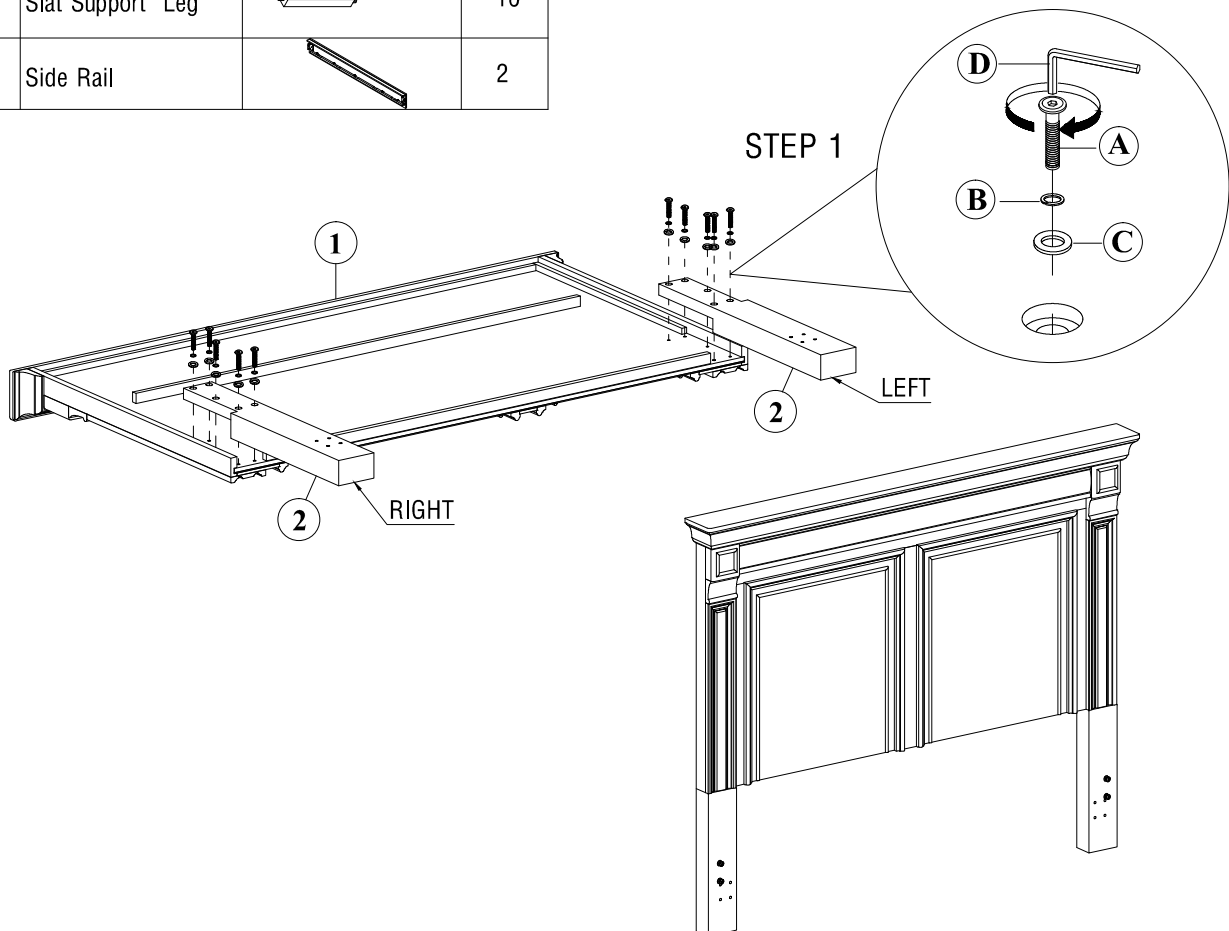
HARDWARE LIST

| No. | Description | Sketch | Size | Q.ty |
|-----|-------------|--------|--------------|------|
| A | Allen bolt | | 1/4 " x 2" | 10 |
| B | Lock washer | | 1/4 " | 10 |
| C | Flat washer | | 1/4 " x 3/4" | 10 |
| D | Allen key | | 4mm | 1 |
| E | Wood screw | | M4 x 1-1/4" | 10 |

TOOLS REQUIRED (NOT PROVIDED)



PHILLIPS HEAD SCREWDRIVER



ASSEMBLY INSTRUCTIONS

ITEM 305-P238180 / 184 / 187

6/0 BED

