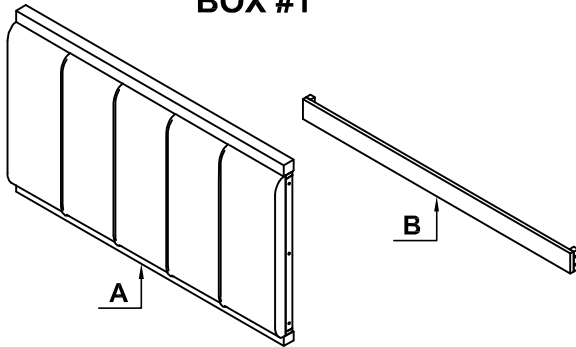


LUCERNE CAL KING/ KING CANOPY BED ASSEMBLY INSTRUCTIONS

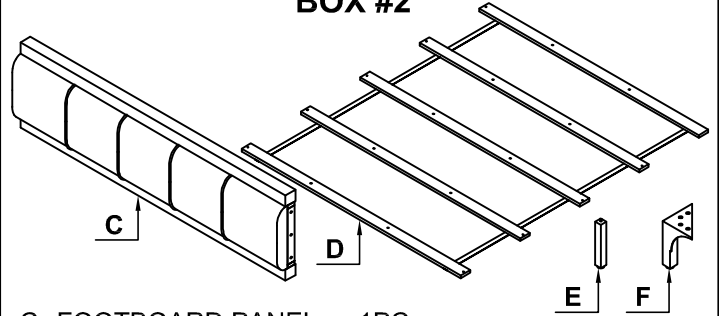


BOX #1



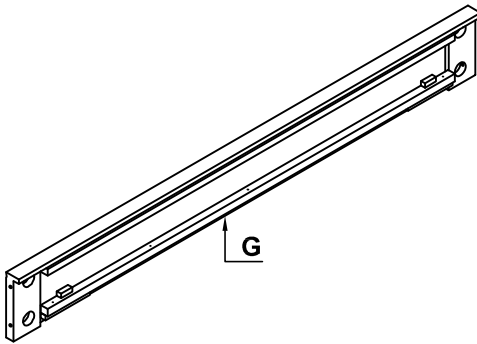
- A. HEADBOARD PANEL 1PC
- B. HEADBOARD STRETCHER 1PC

BOX #2



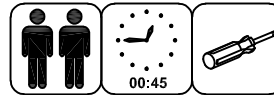
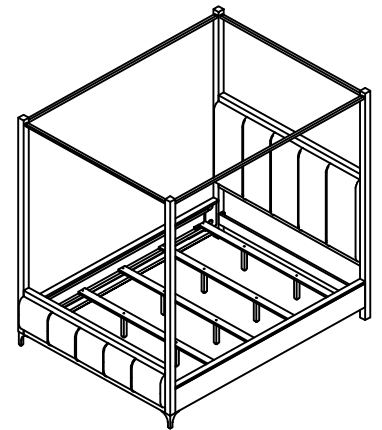
- C. FOOTBOARD PANEL 1PC
- D. BED SLAT 1SET (5 SLATS)
- E. LEG SUPPORTS 10PCS
- F. FOOTBOARD LEGS 2PCS

BOX #3



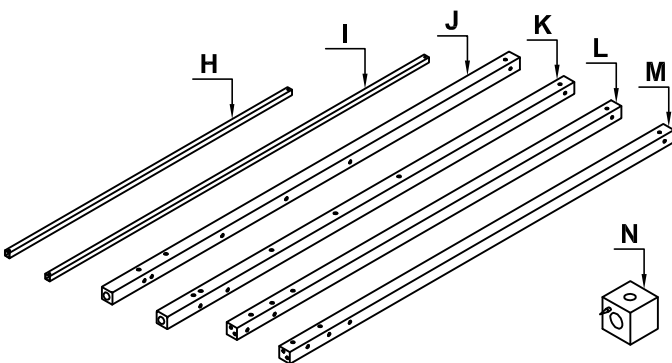
- G. SIDE RAILS 2PCS

LUCERNE CAL KING/ KING CANOPY BED FULLY ASSEMBLED



Not provided

BOX #4



- H. SHORT CANOPY RAIL 2PCS
- I. LONG CANOPY RAIL 2PCS
- J. LEFT HEADBOARD POST 1PC
- K. RIGHT HEADBOARD POST 1PC
- L. LEFT FOOTBOARD POST 1PC
- M. RIGHT FOOTBOARD POST 1PC
- N. CANOPY CONNECTOR 8PCS

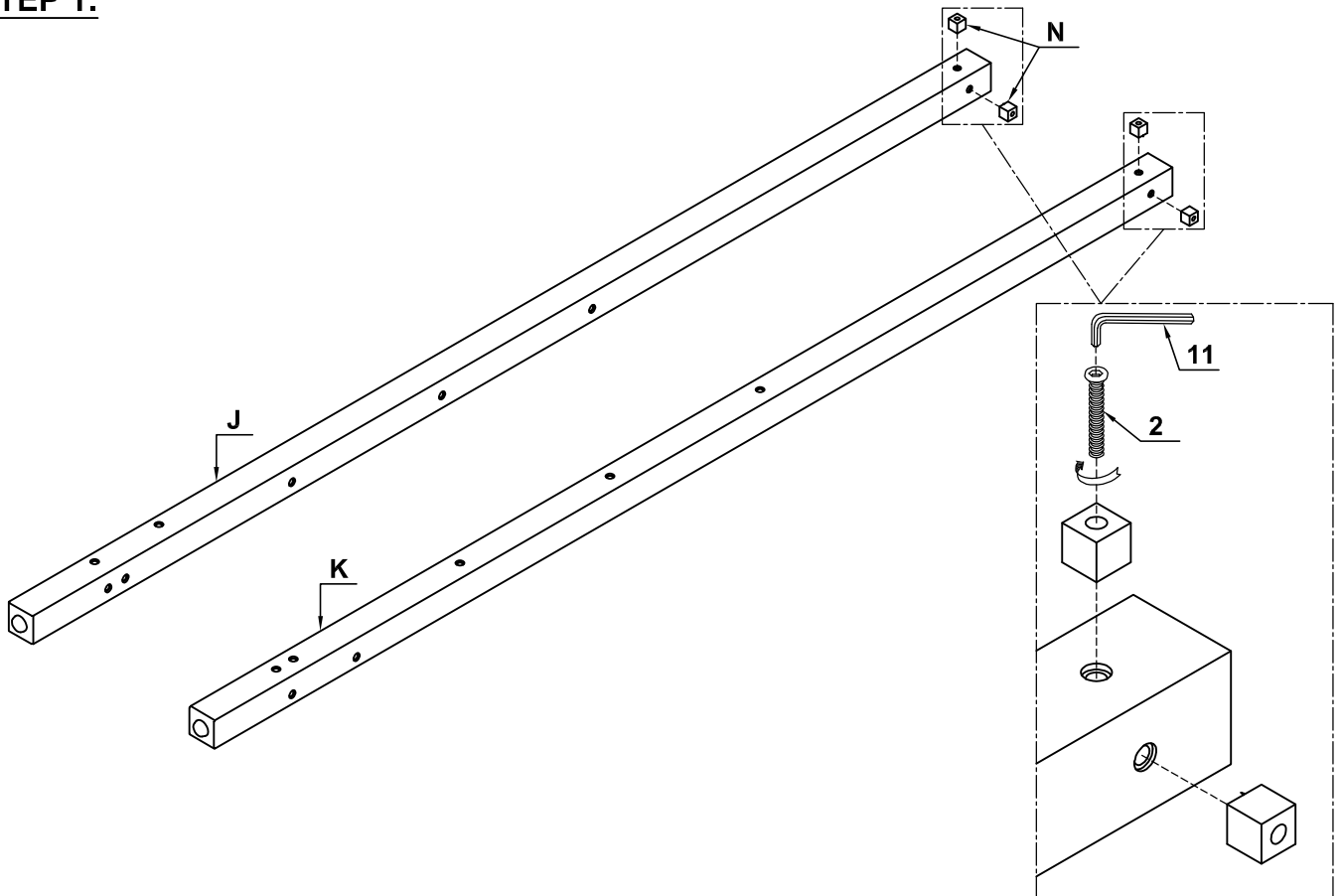
HARDWARE PACKED IN BOX #2

1	ALLEN BOLT (8x50mm)		16 PCS
2	ALLEN BOLT (6x35mm)		8 PCS
3	ALLEN BOLT (6x15mm)		6 PCS
4	ALLEN BOLT (6x10mm)		8 PCS
5	SPRING WASHER (M8)		30 PCS
6	FLAT WASHER (M8)		30 PCS
7	THREADED BOLT (8x90mm)		8 PCS
8	HALF MOON WASHER (M8)		8 PCS
9	HEX NUT (M8)		8 PCS
10	WOOD SCREW (4x30mm)		10 PCS
11	ALLEN KEY (M4)		1 PC
12	WRENCH (M13)		1 PC

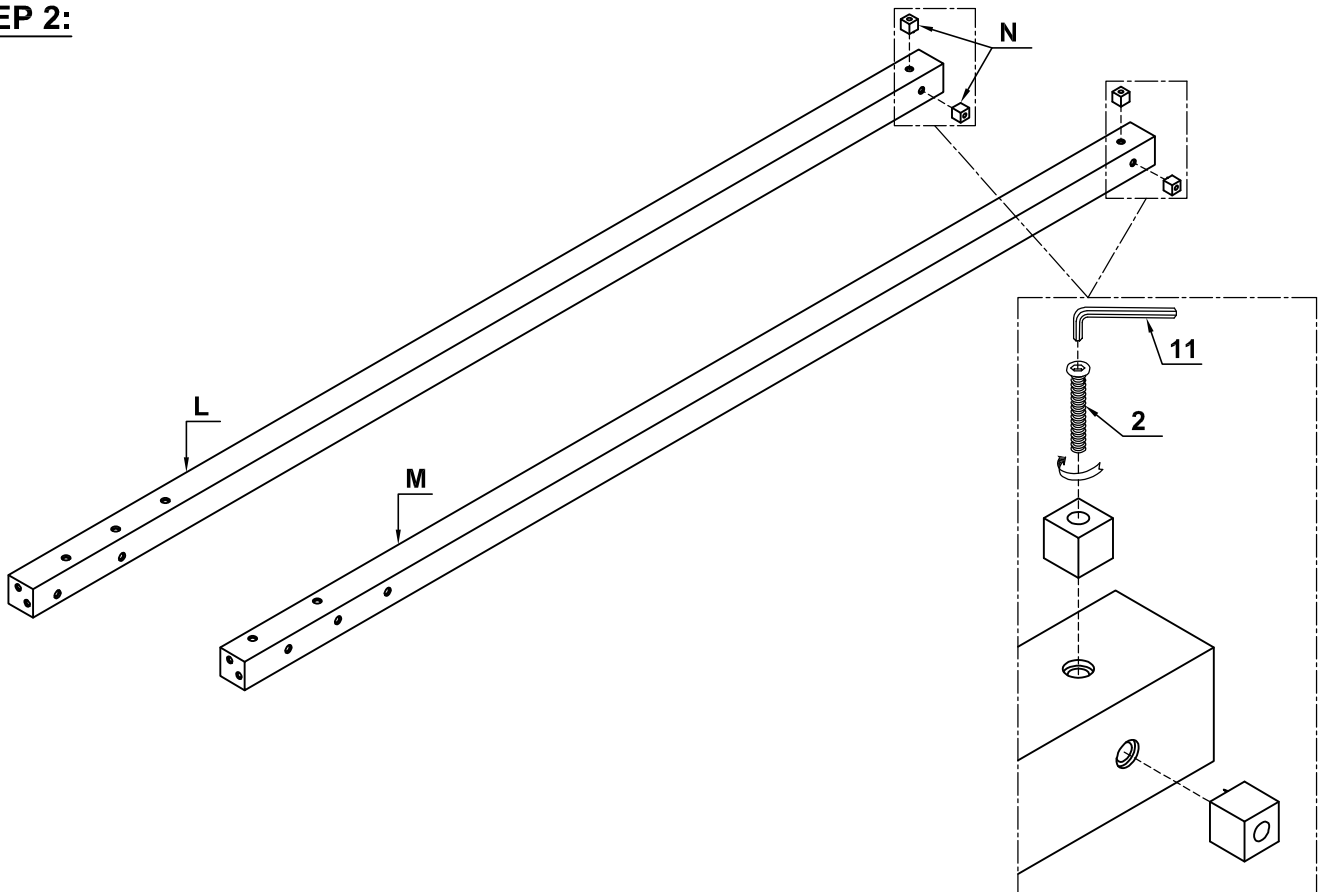
LUCERNE CAL KING/ KING CANOPY BED ASSEMBLY INSTRUCTIONS



STEP 1:



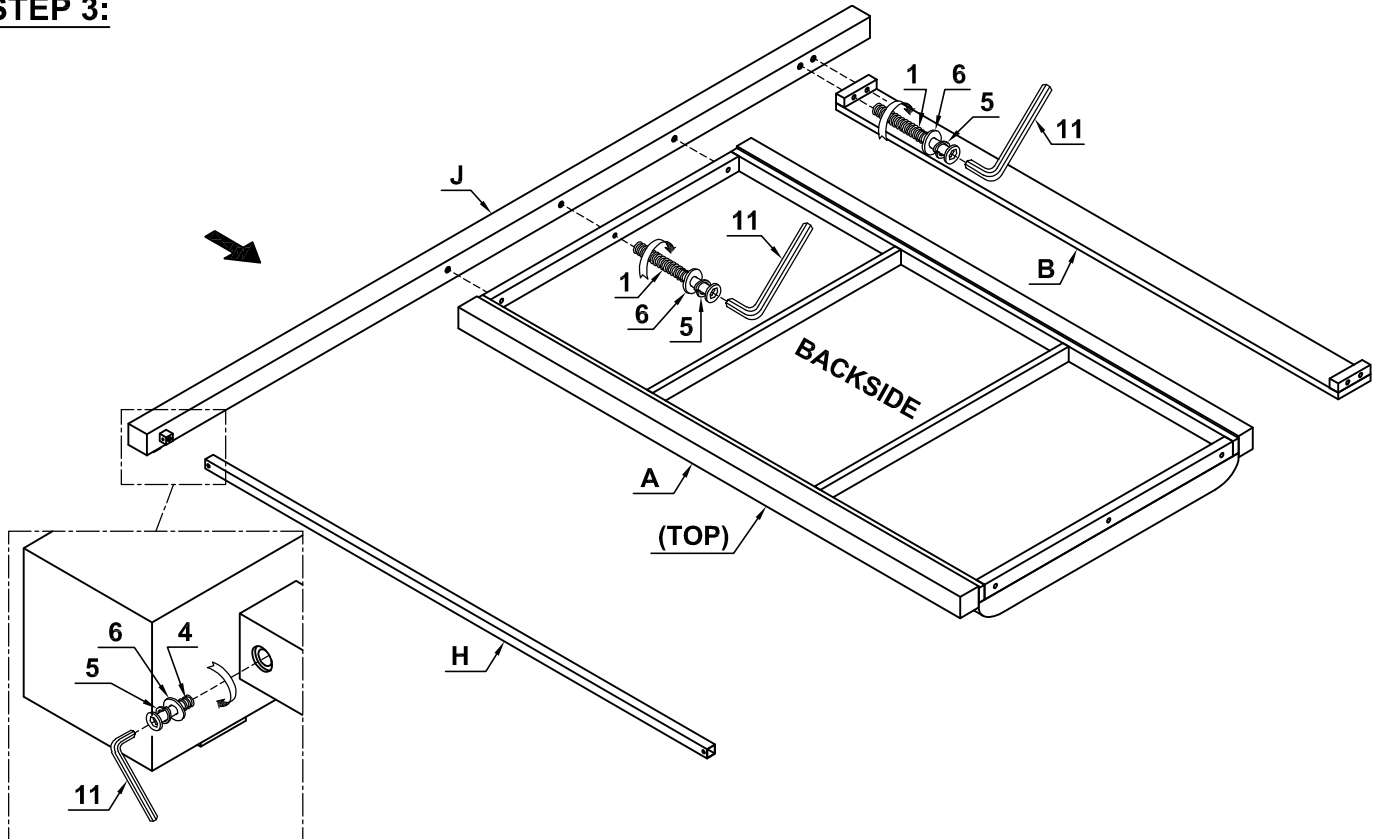
STEP 2:



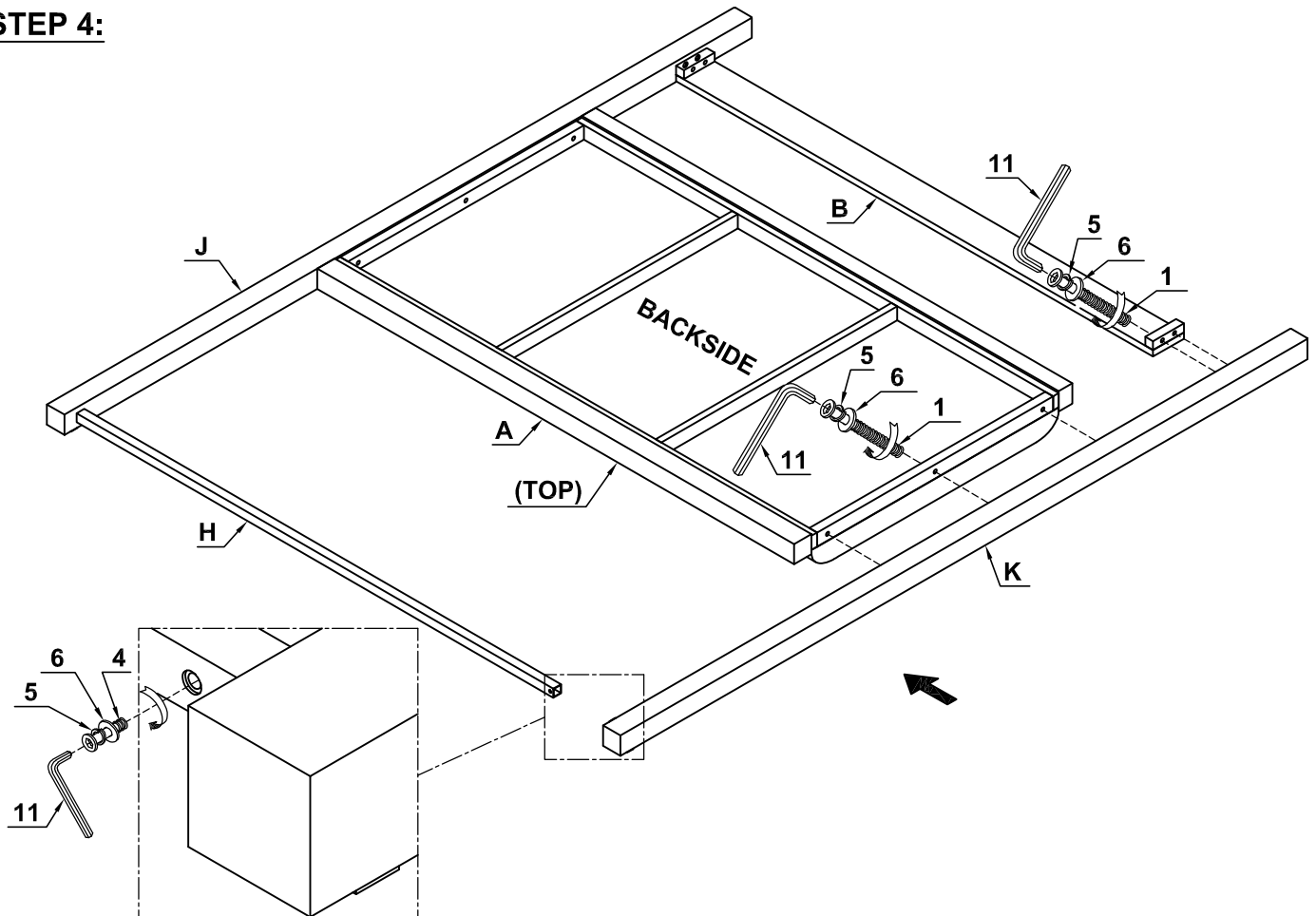
LUCERNE CAL KING/ KING CANOPY BED ASSEMBLY INSTRUCTIONS



STEP 3:



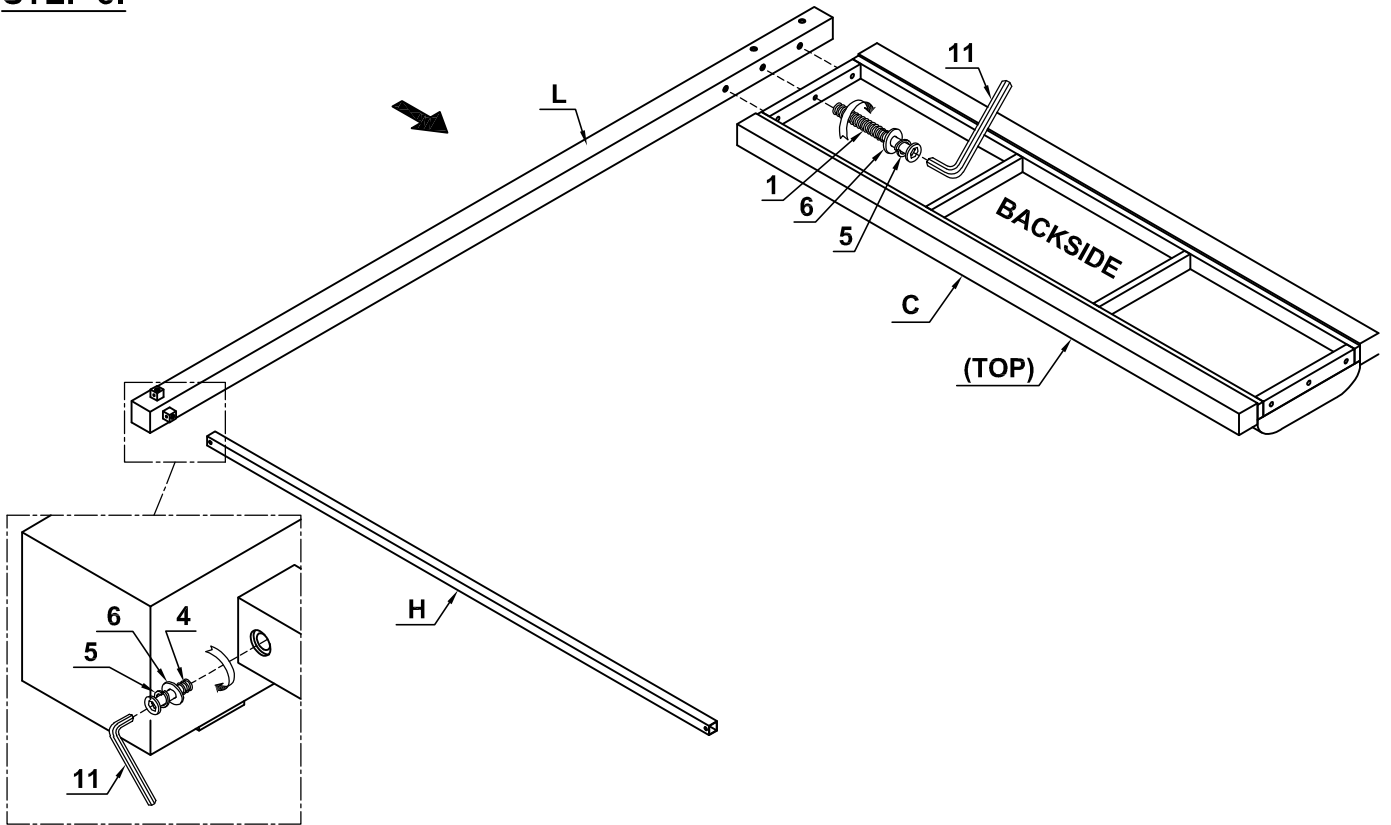
STEP 4:



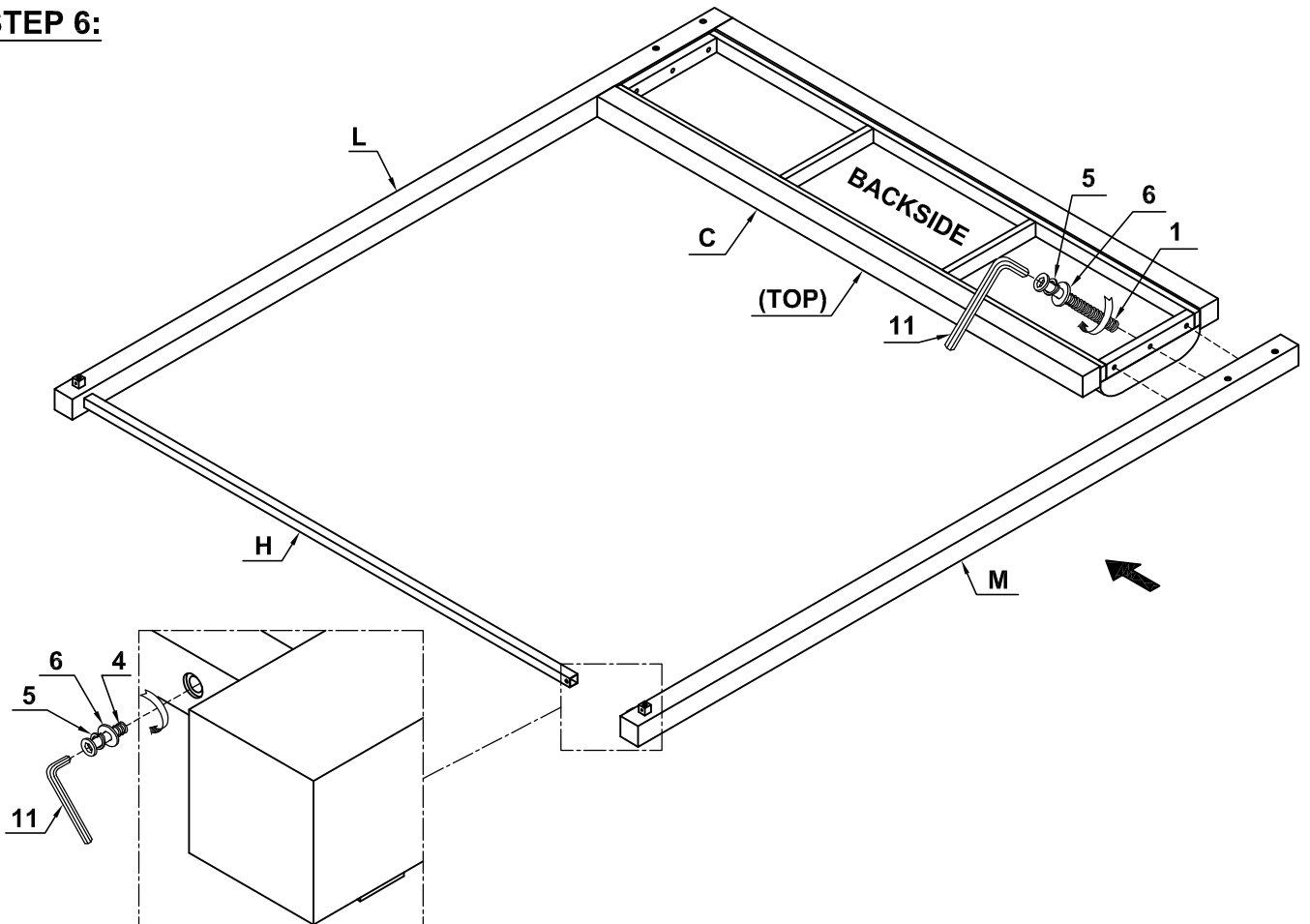
LUCERNE CAL KING/ KING CANOPY BED ASSEMBLY INSTRUCTIONS



STEP 5:



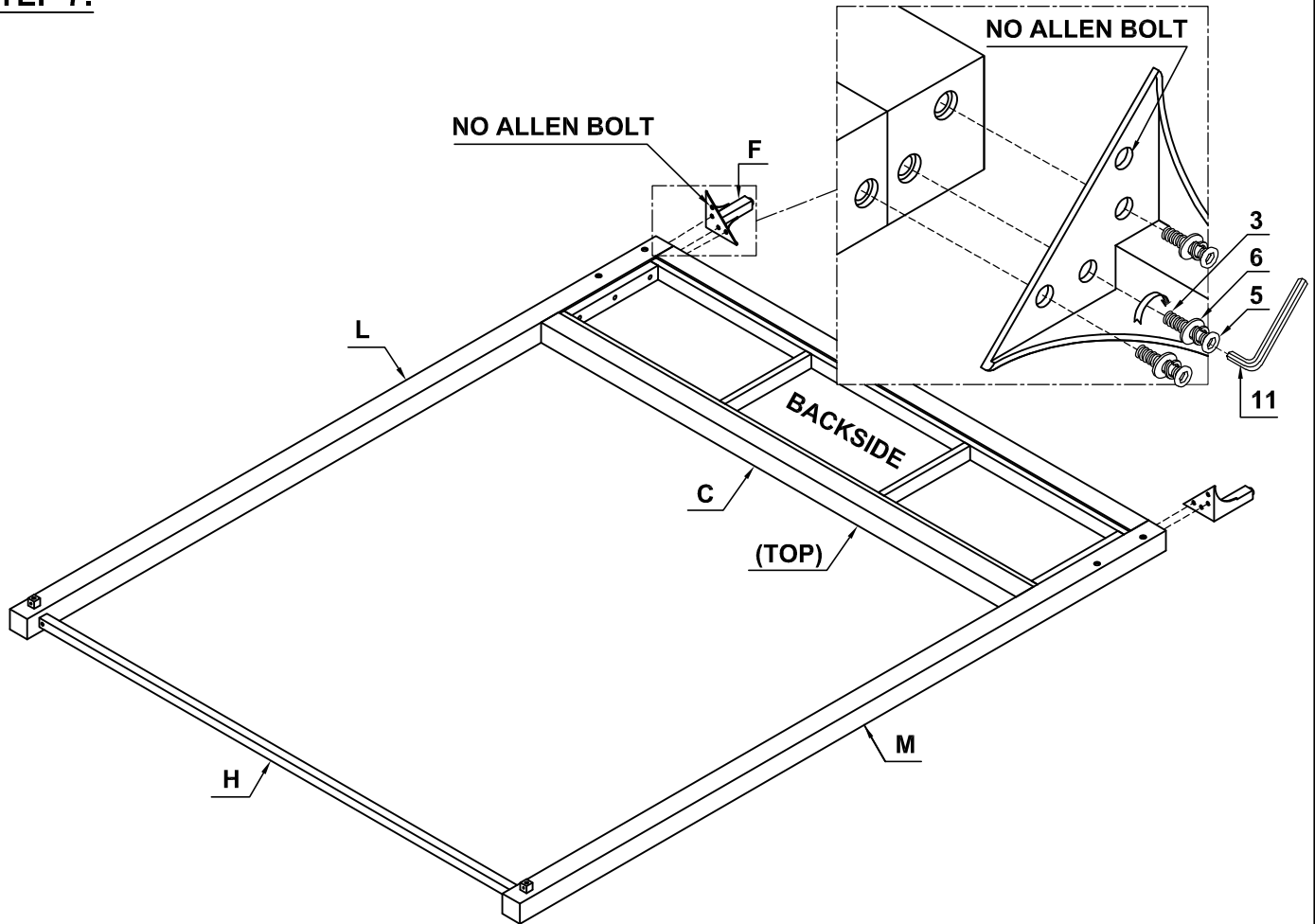
STEP 6:



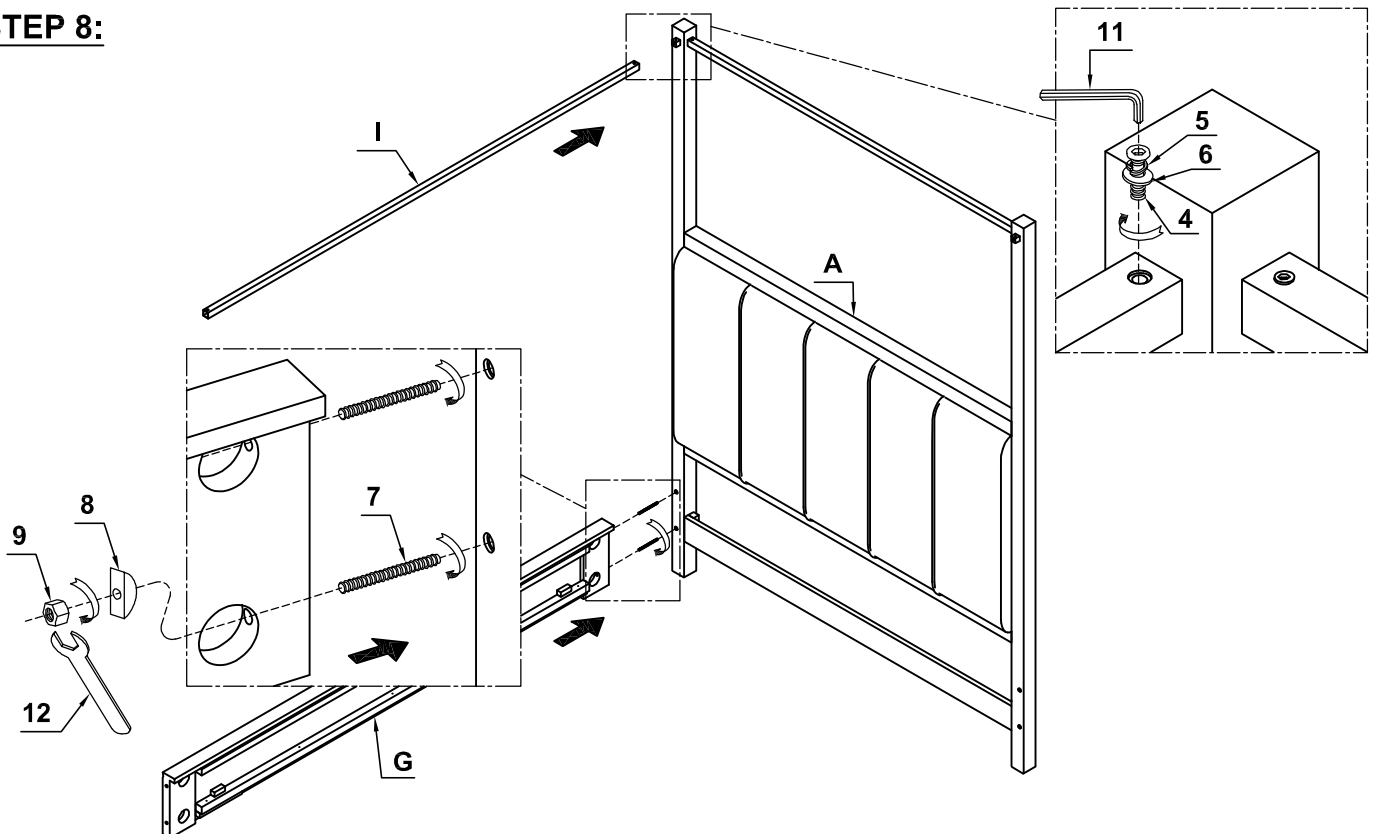
LUCERNE CAL KING/ KING CANOPY BED ASSEMBLY INSTRUCTIONS



STEP 7:



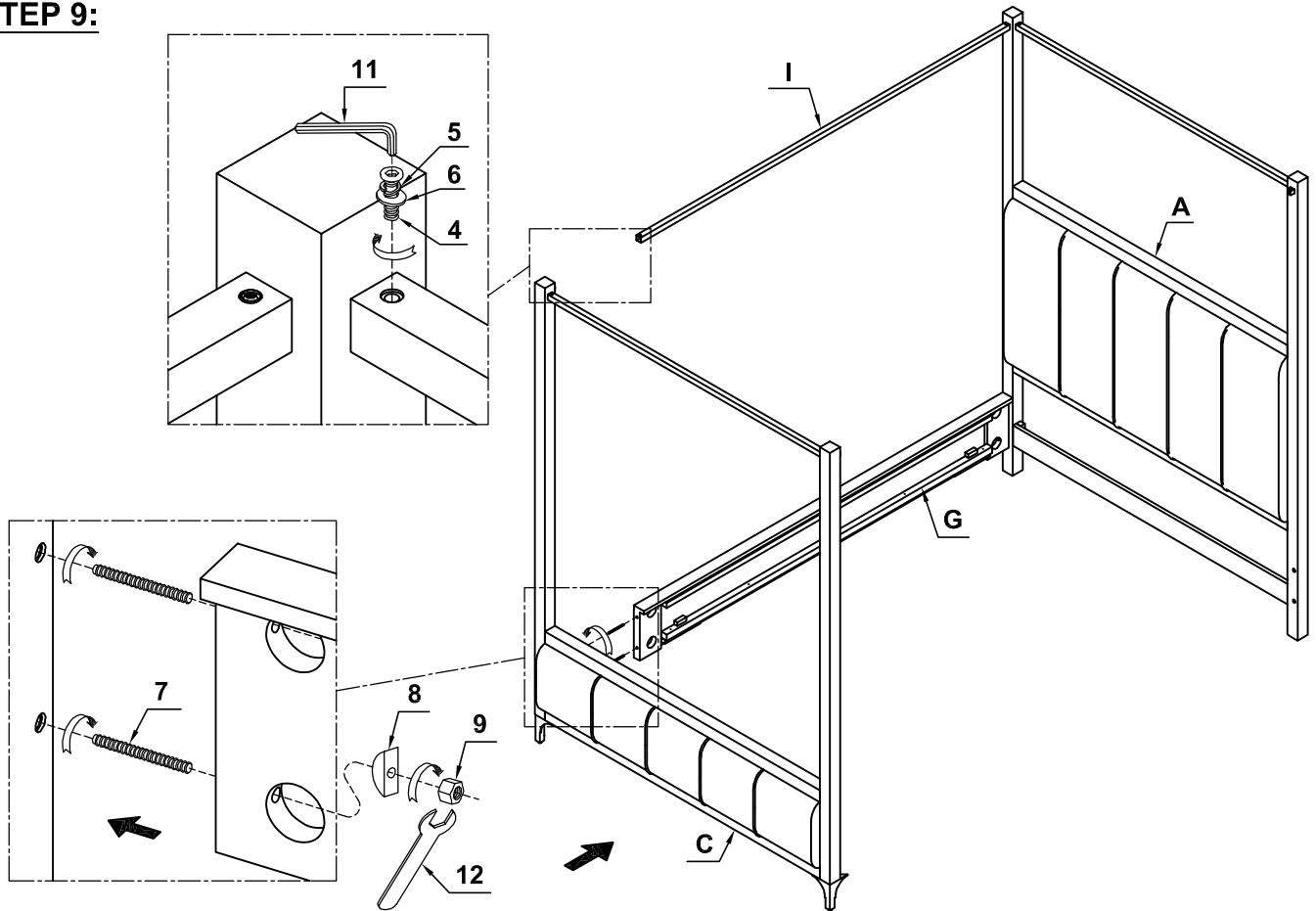
STEP 8:



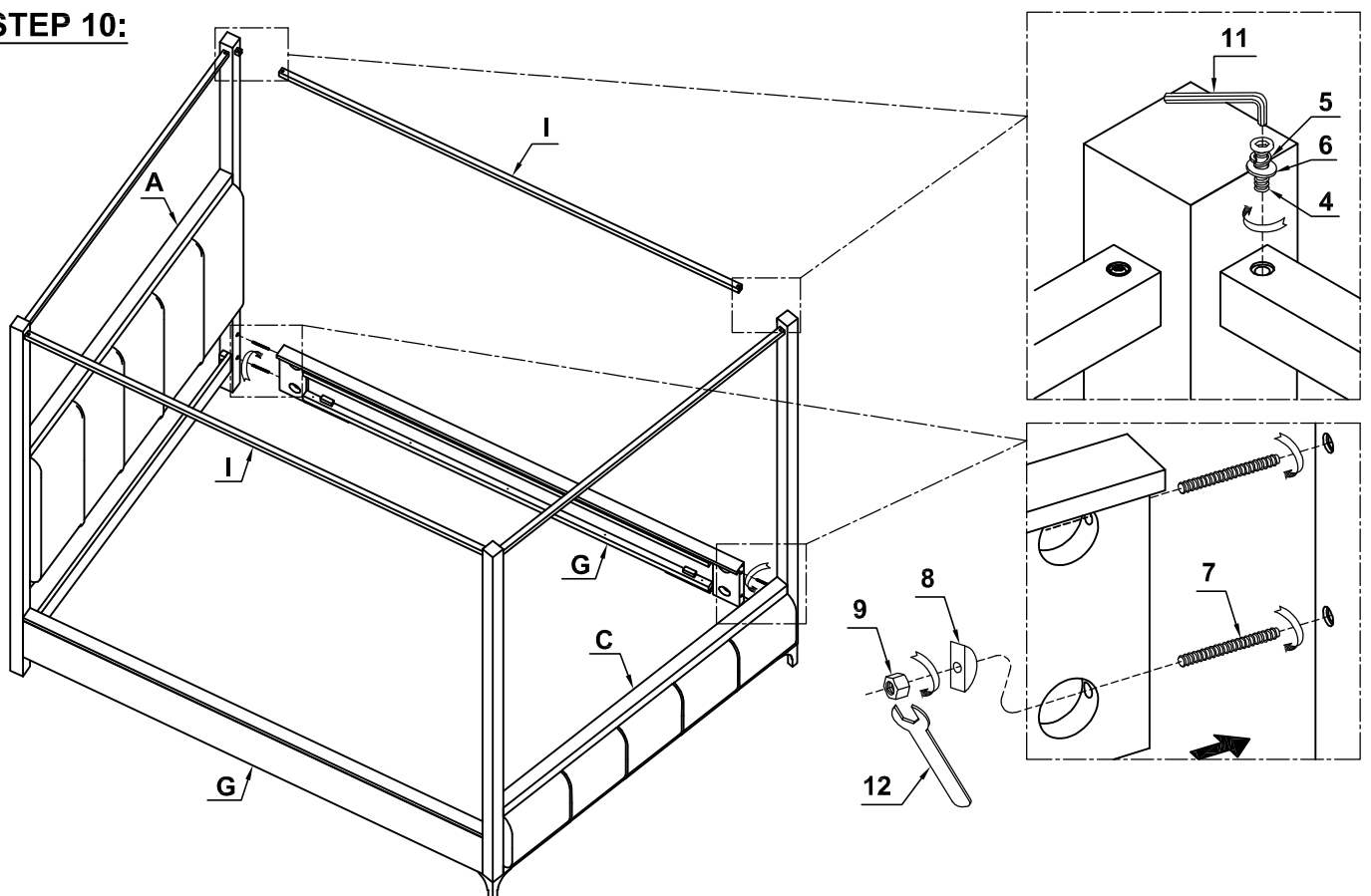
LUCERNE CAL KING/ KING CANOPY BED ASSEMBLY INSTRUCTIONS



STEP 9:



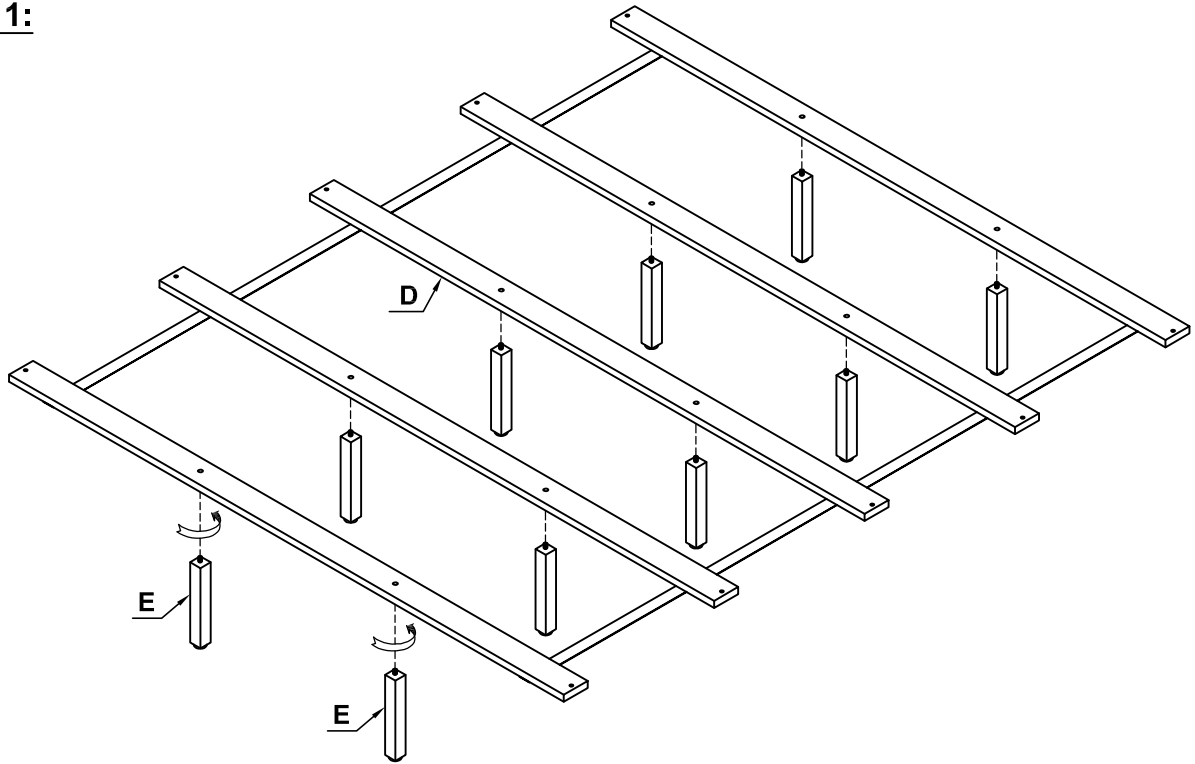
STEP 10:



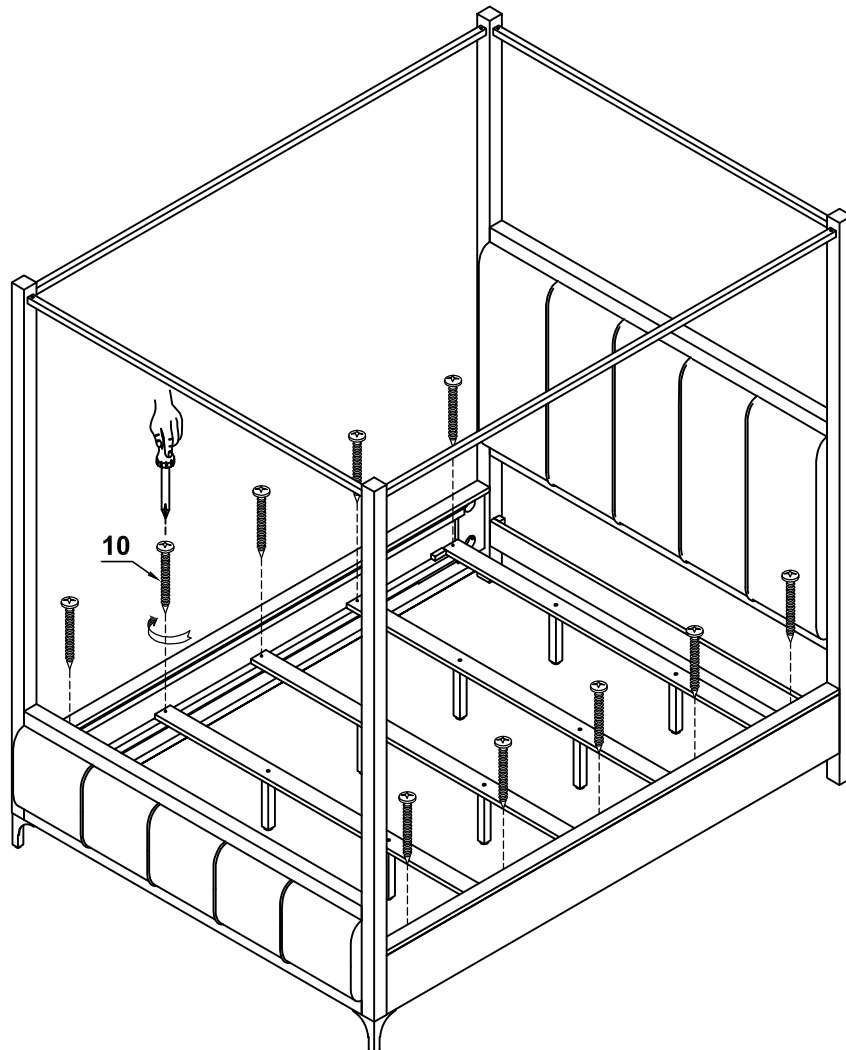
LUCERNE CAL KING/ KING CANOPY BED ASSEMBLY INSTRUCTIONS



STEP 11:



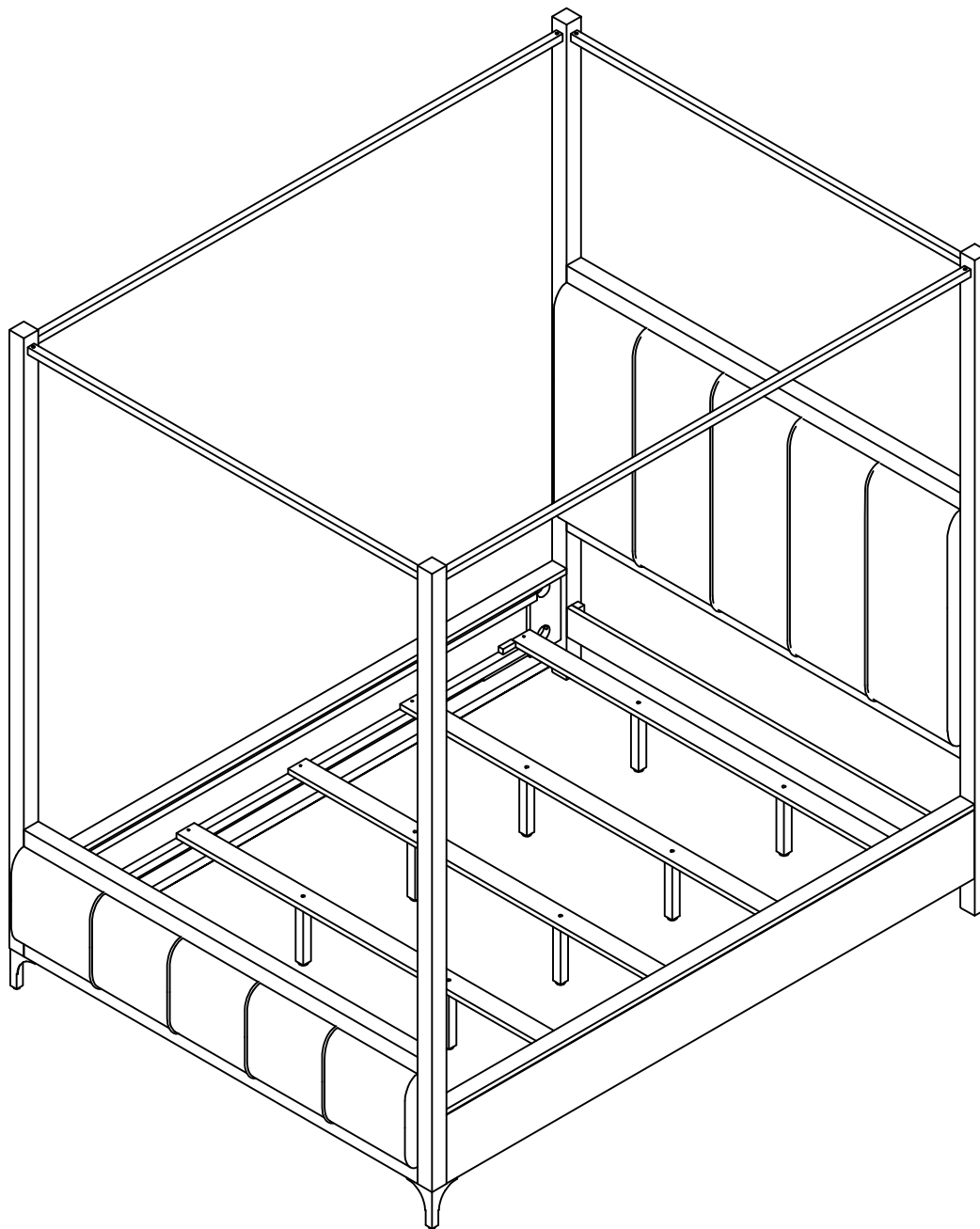
STEP 12:



LUCERNE CAL KING/ KING CANOPY BED ASSEMBLY INSTRUCTIONS



ASSEMBLY COMPLETE

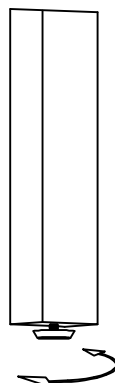


INSTRUCTIONS FOR ADJUSTING LEVELER:

Position the bed in your space and locate the leveler under each support leg.

Turn the leveler counter-clockwise to extend the leveler and clockwise to retract it.

Adjust each leveler until each support leg is applying equal, upward pressure on the bed support slat.



MAINTENANCE INSTRUCTION:

- Remove box spring and mattress before moving your bed.
- Lift your bed when moving it. Dragging can damage the leg support.
- Readjust levelers after moving your bed.