



LIVING SPACES

## ASSEMBLY INSTRUCTIONS

ORSON METAL LOFT BED

Item No: 1903-03LB/272900



Scan QR Code to  
view assembly video



### SKU #272900

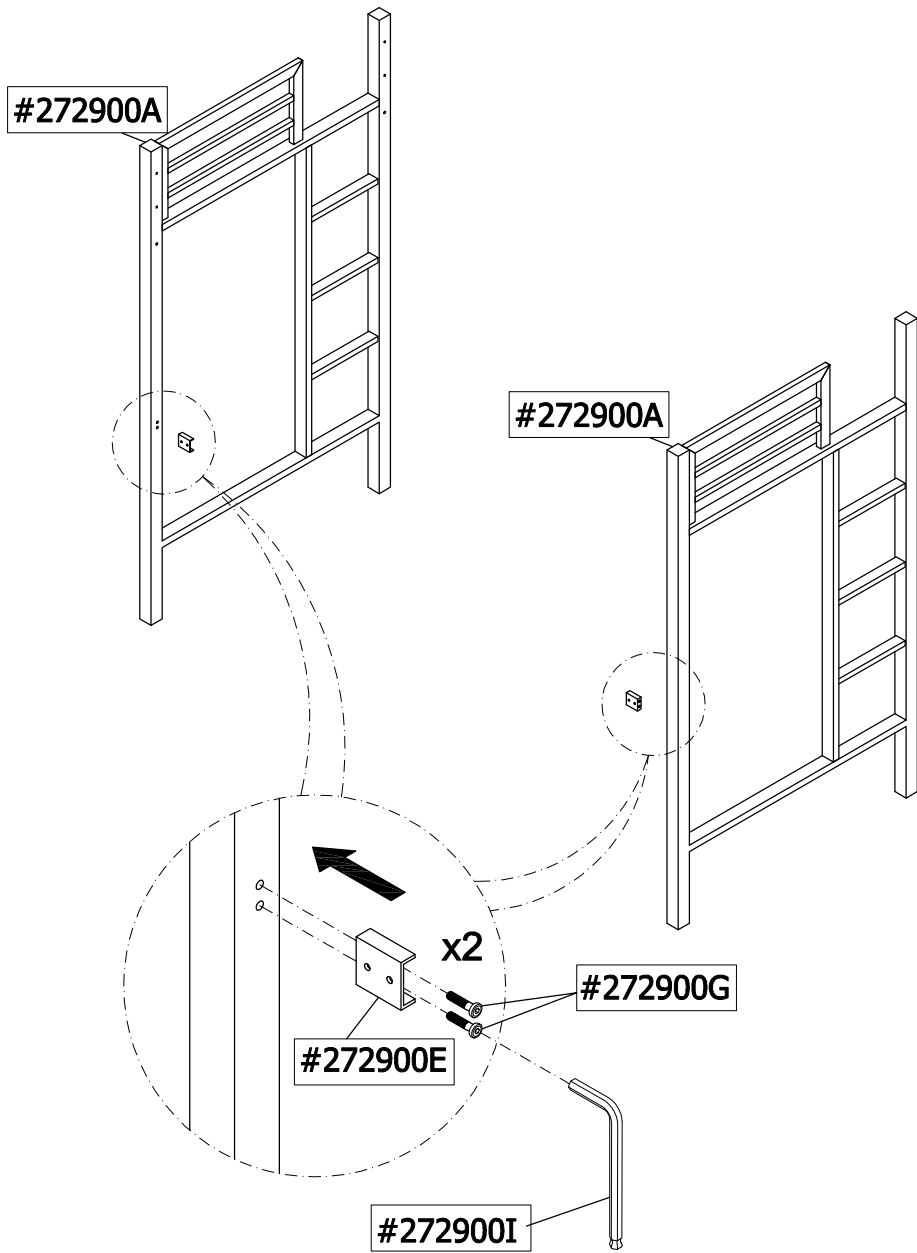
\*Box of Siderails, Slat, Support Rails, Rail & Metal plates.

SKU#	IMAGE	DISCRIPTION	QTY
#272900A		Siderails	2
#272900B		Slat	1
#272900C		Rails	2
#272900D		Support Rail	1
#272900E		Metal plates	2

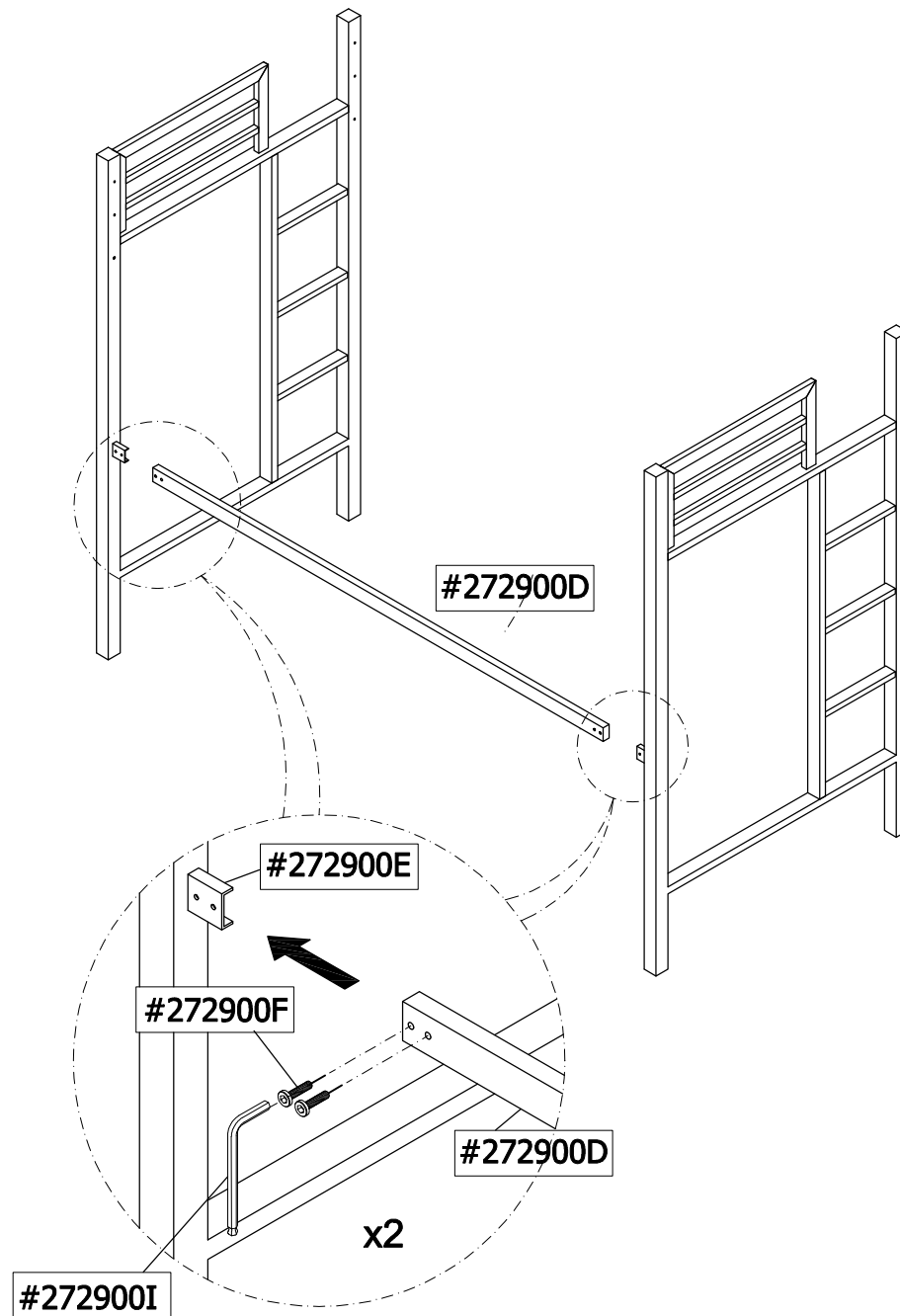
### \*Hardware List

SKU#	IMAGE	DISCRIPTION	QTY
#272900F		Allen head Ø1/4"x 5/8"mm / L	4
#272900G		Allen bolt Ø1/4"x 5/8"mm / L	8
#272900H		Allen bolt Ø1/4"x2-1/2"mm / L	14
#272900I		Allen wrench	1

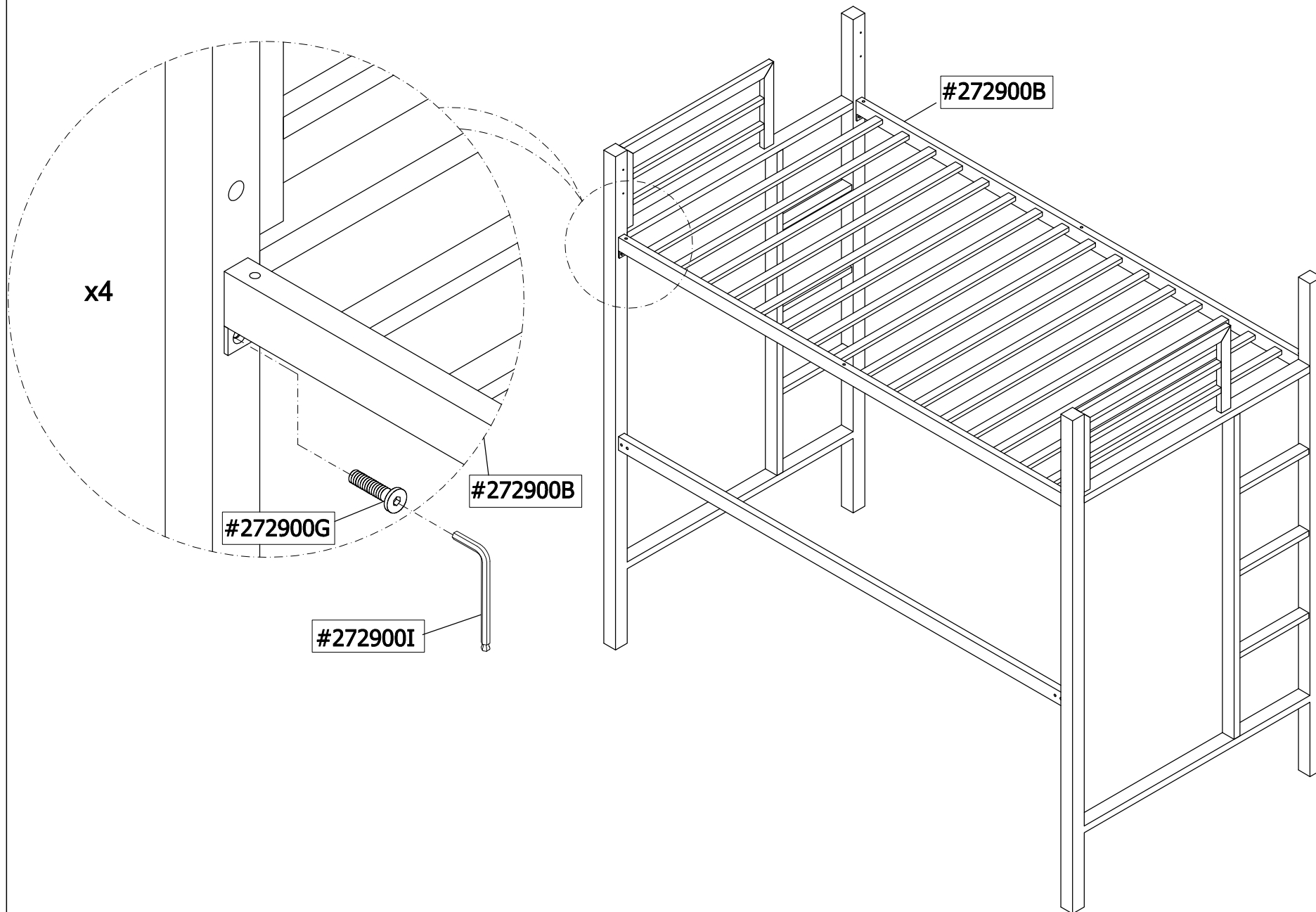
# STEP 1



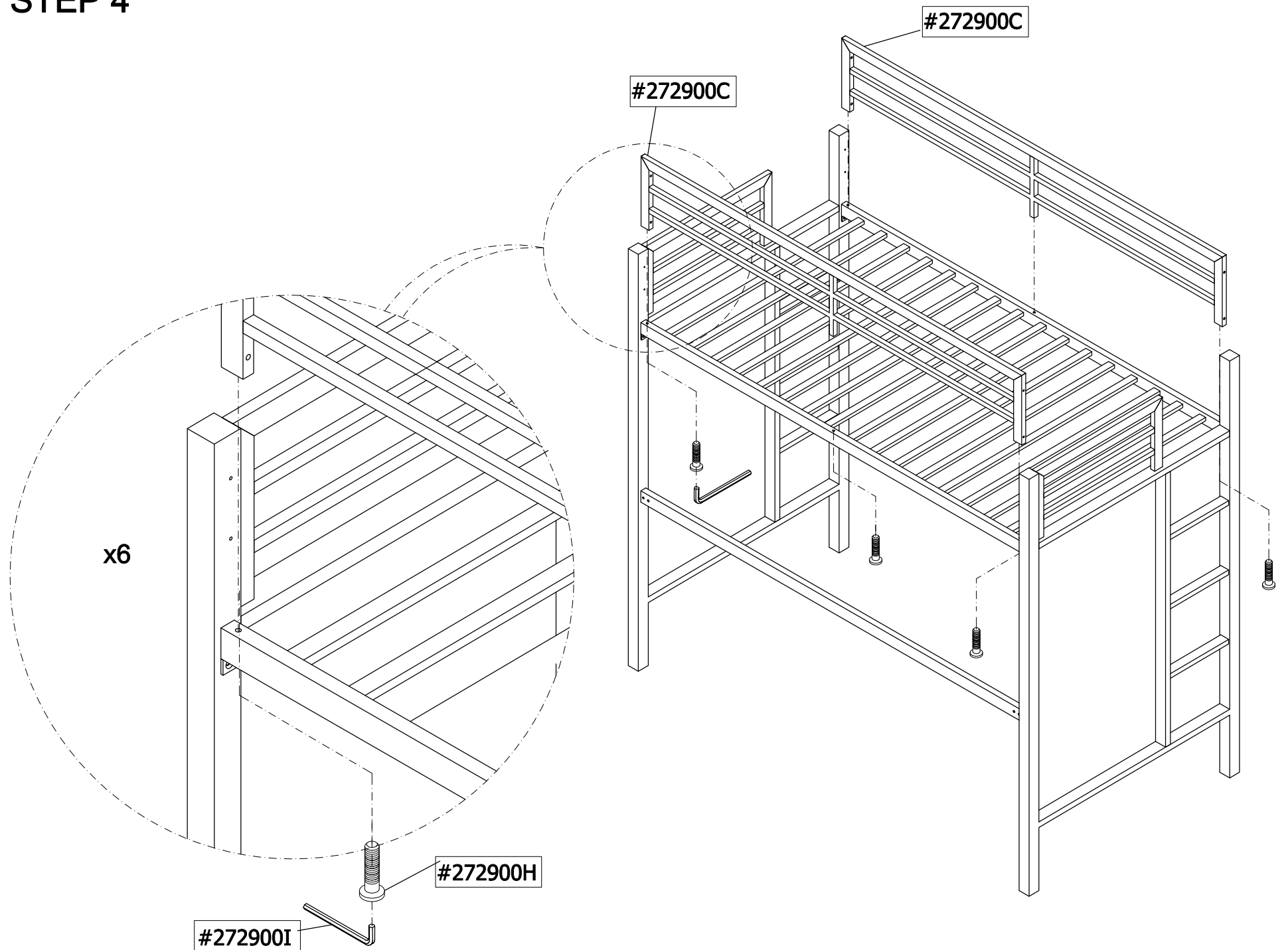
# STEP 2



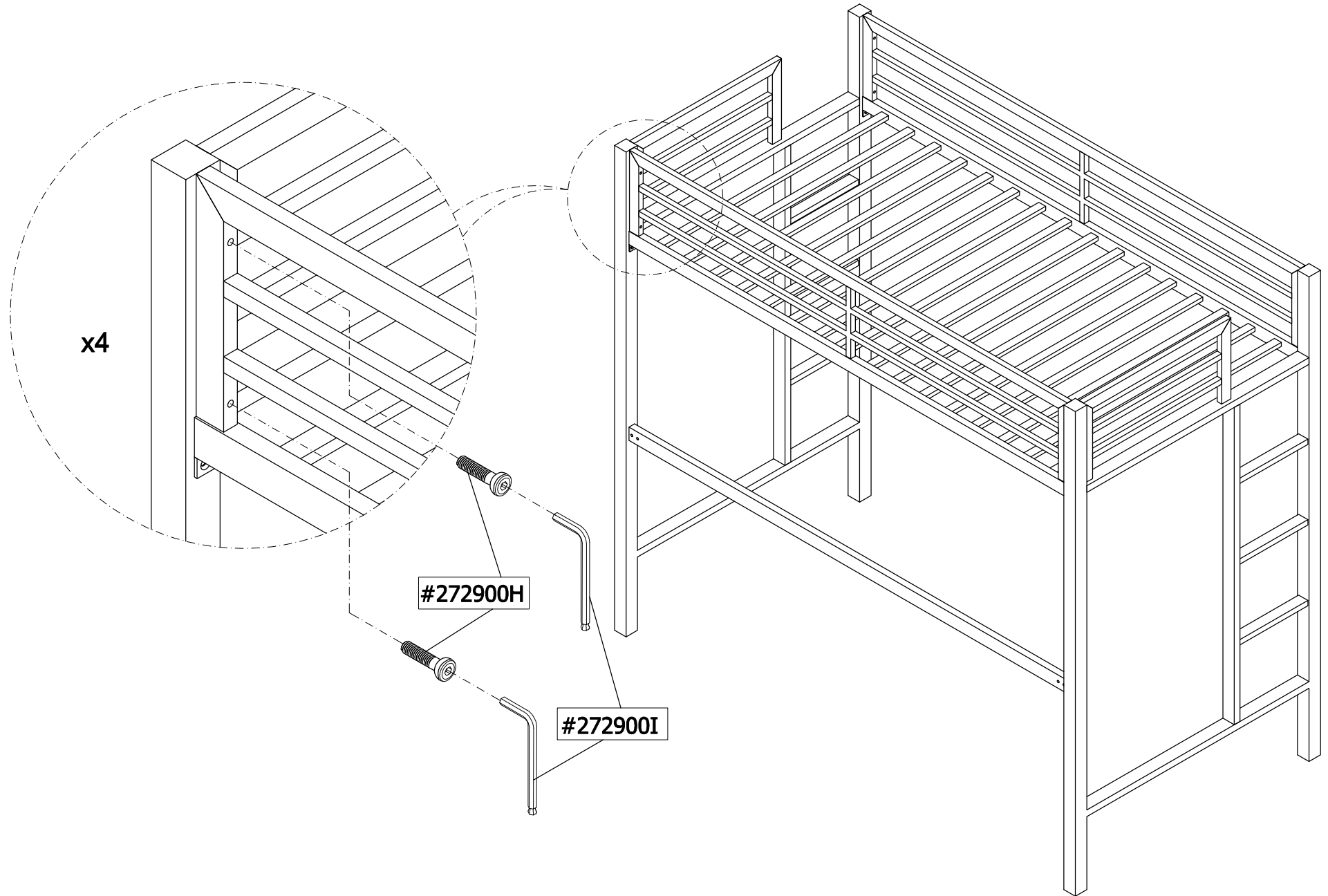
# STEP 3



# STEP 4



# STEP 5





## WARNING:

Failure to follow these warning and assembly instructions could result in serious injury or death. To help prevent serious or fatal injuries from entrapment of falls:

- . Strangulation Hazard – Never attach or hang items to any part of the bunk bed that are not designed for use with the bed; for example, but not limited to hooks, belts and jump ropes.
- . Follow the information on the warnings appearing on the upper bunk end structure and on the carton. Do not remove warning label from bed
- . The mattress platform is designed to support a mattress without the need for a posture board or box spring.
- . Always use the recommended size mattress or mattress support or both to help prevent the likelihood of entrapment of falls.
- . Use only coil spring mattress on both the upper and lower bunks. Failure to do so can result in injury.
- . Use only mattress which are 74"-75" long and 37 ½" – 38 ½" wide on upper and on lower bunks. Ensure thickness of mattress do not exceed 7". Surface of mattress must be at least 5" (127mm) below upper edge of guardrails.
- . Do not allow children under 6 years of age to use the upper bunk.
- . Maximum weight capacity: 165 lbs (75 kgs) per lever.
- . Always use guardrails on both long sides of the upper bunk. If the bunk bed will be placed next to the wall, the guardrail that runs the full length of the bed should be placed against the wall to prevent entrapment between the bed and wall. (Applicable for bunk beds with full length guardrails on one side).
- . Periodically check and ensure that the guardrail, ladder and other components are in their proper position, free from damage, and that all connectors are tight.
- . Do not allow horseplay on or under the bed and prohibit jumping on the bed.
- . Do not use substitute part. Contact customer service for replacement parts.
- . Use of a night light may provide added safety precaution for a child using the upper bunk.
- . The use of water or sleep flotation mattress is prohibited
- . Always use the ladder for entering and leaving the upper bunk
- . Prohibit more than one person on upper bunk

### **REPLACEMENT PARTS:**

Replacement parts, including additional guardrails may be obtained from any LIVING SPACES Dealer

- . KEEP THESE INSTRUCTIONS FOR FUTURE REFERENCE.