



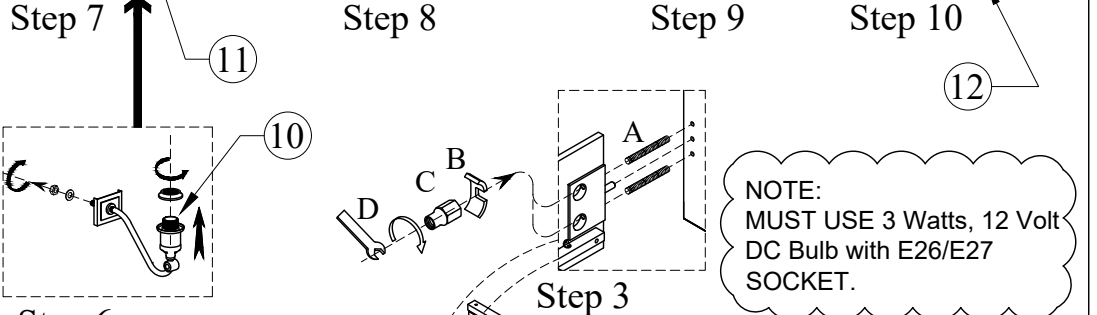
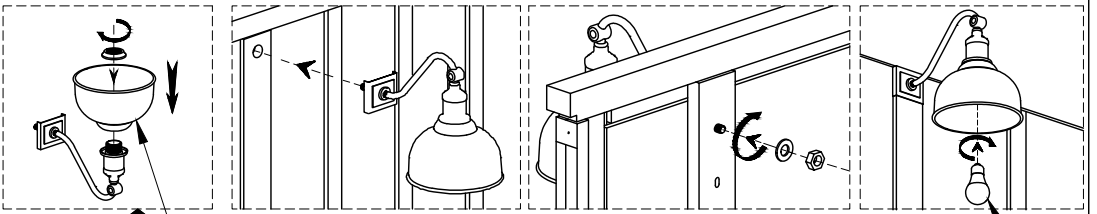
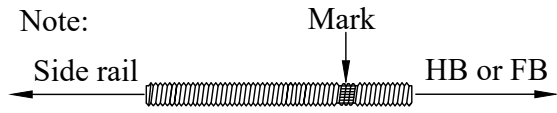
LIVING SPACES

1	PTB5321-54HB		X1
2	PTB5321-54LL		X1
3	PTB5321-54RL		X1
4	PTB5321-54WM		X2
5	PTB5321-54BR		X1
6	PTB5321-54FB		X1
7	PTB5321-54SR		X2
8	PTB5321-54SL		X4
9	PTB5321-54SSL		X4
10	PTB5321-54BH		X2
11	PTB5321-54LS		X2
12	PTB5321-54LB		X2
A	PB5321-54HDA		X8
B	PB5321-54HDB		X8
C	PB5321-54HDC		X8
D	PB5321-54HDD		X1
E	PB5321-54HDE		X10
F	PB5321-54HDF		X10
G	PB5321-54HDG		X10
H	PB5321-54HDH		X1
I	PB5321-54HDI		X8

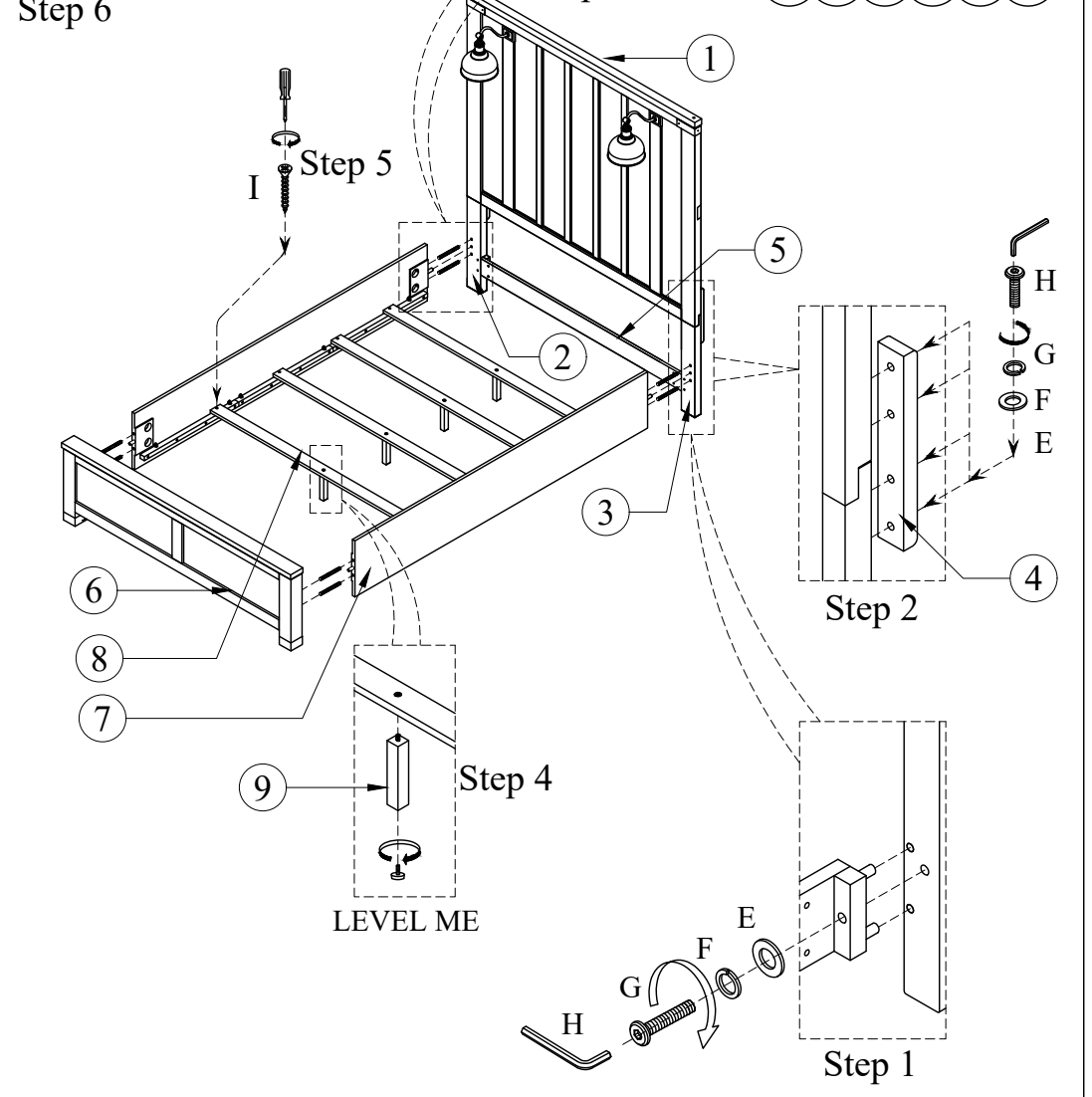
TOOLS REQUIRED (NOT PROVIDED):

PHILLIPS SCREW DRIVER

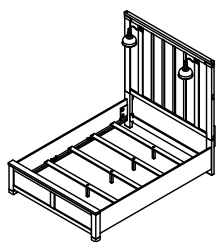
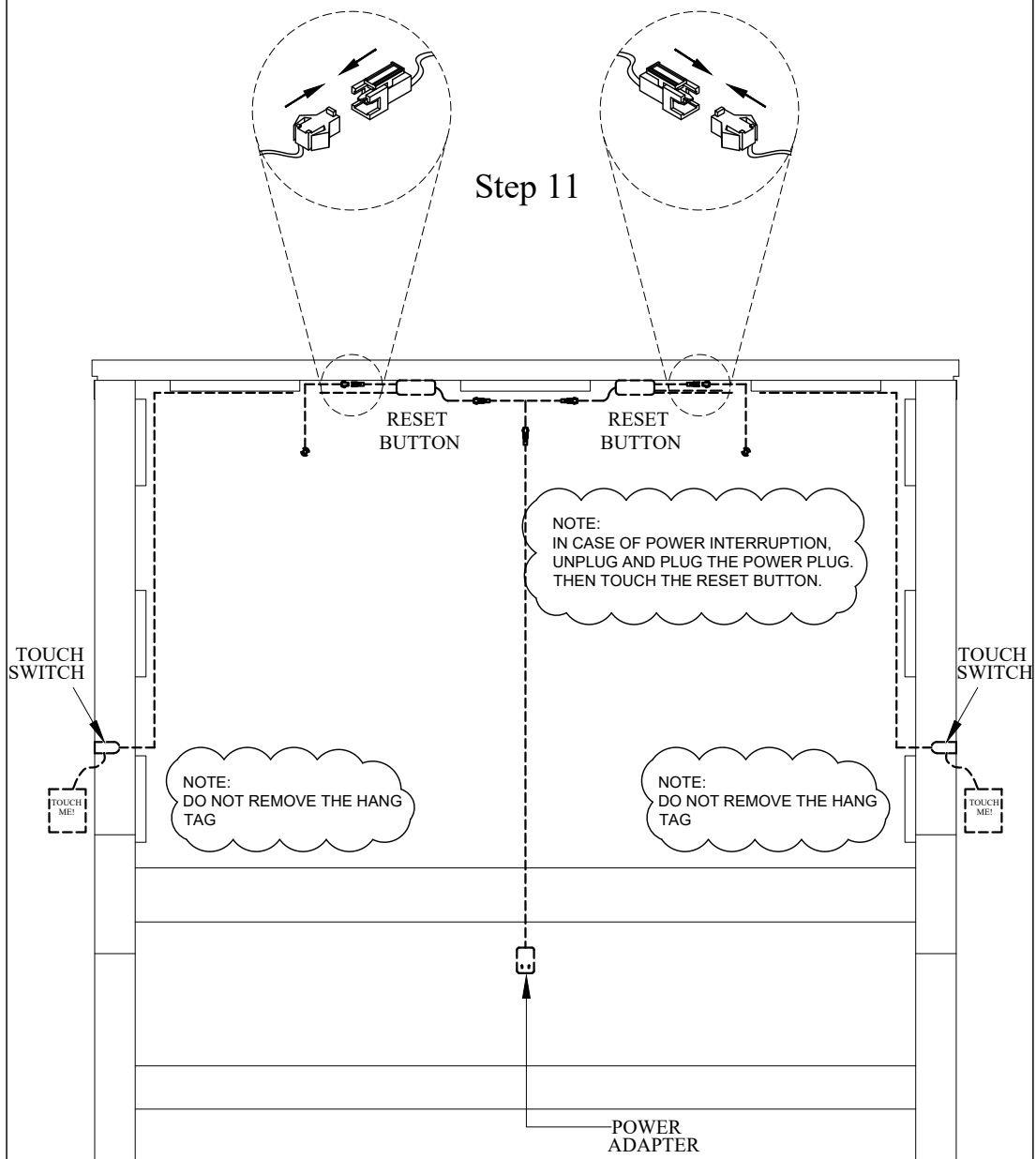
KIT-WADE



NOTE:
MUST USE 3 Watts, 12 Volt DC Bulb with E26/E27 SOCKET.



WIRING DIAGRAM



272181 / B5321-54H+54F+54R
KIT-WADE QUEEN PANEL BED

