

# euø style™

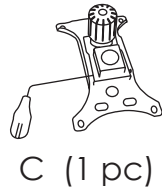
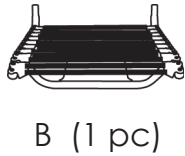
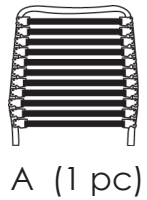
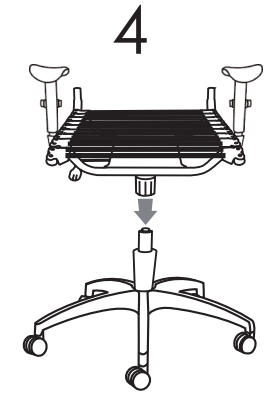
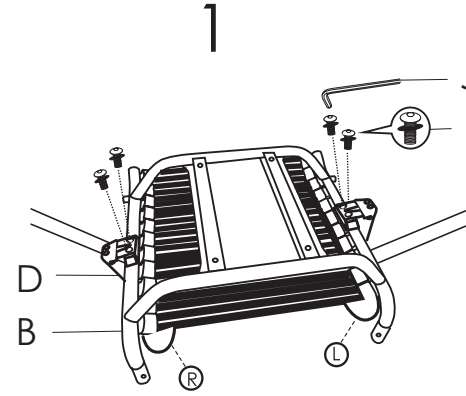
## Assembly Instructions

### BABA Flat High Back Office Chair

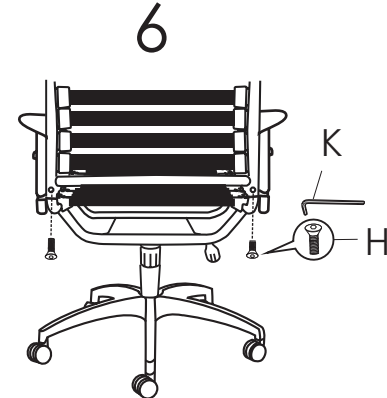
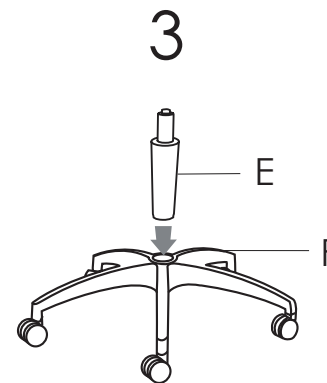
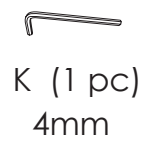
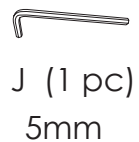
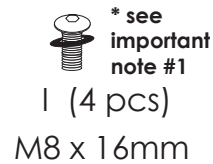
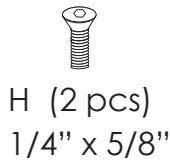
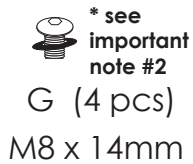
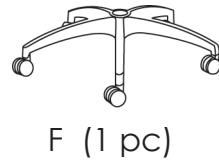
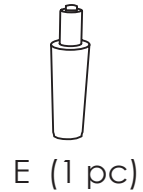
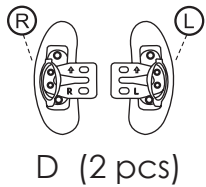
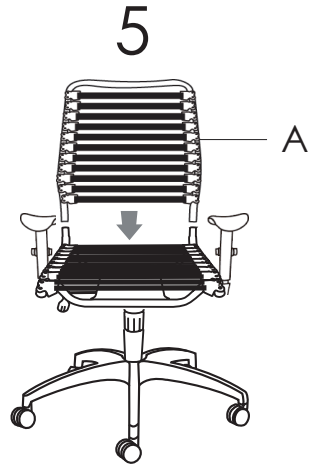
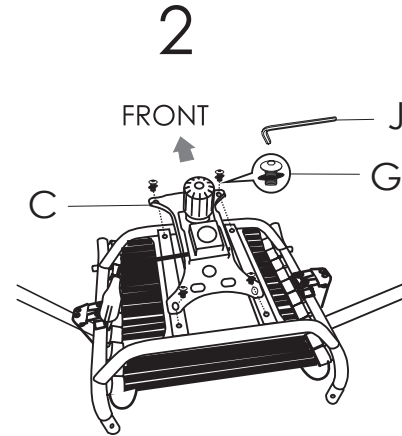
PLEASE NOTE: Check that you have received all components and hardware before assembling. If you are missing any parts, contact your retailer, or fax Eurø Style at 415.455.8033 or email: cs@gotoeurostyle.com.



**IMPORTANT NOTE #1:** →  
Screws and washers (Parts I) are preassembled into the underside of the seat (Part B). Remove screws and washers from seat and then use to attach Part D to Part B, as shown in step 1.



**IMPORTANT NOTE #2:** →  
Screws and washers (Parts G) are preassembled into the underside of the seat (Part B). Remove screws and washers from seat and then use to attach Part C to Part B, as shown in step 2.



During assembly, hand tighten screws only. When the screws are in place, tighten completely.