

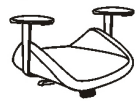
eurowstyle™

Assembly Instructions

BERGEN Low Back Office Chair



A (1 pc)



B (1 pc)



C (1 pc)



D (1 pc)



E (5 pcs)



F (3 pcs)
Ø8 x 16mm



G (3 pcs)



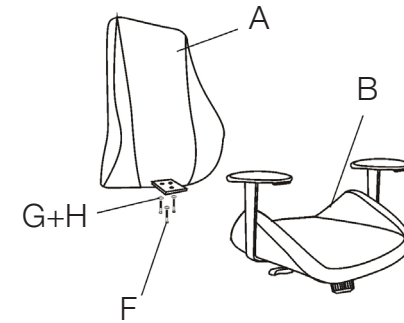
H (3 pcs)



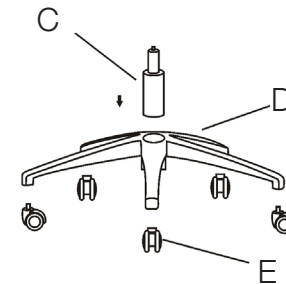
I (1 pc)
8mm

PLEASE NOTE: Check that you have received all components and hardware before assembling. If you are missing any parts fax Euro Style at 415.455.8033 or email: claims@gotoeurostyle.com

1



2



3

