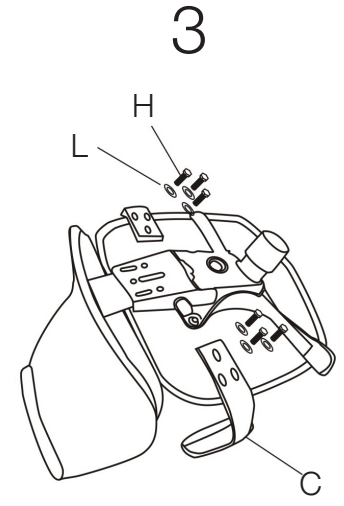
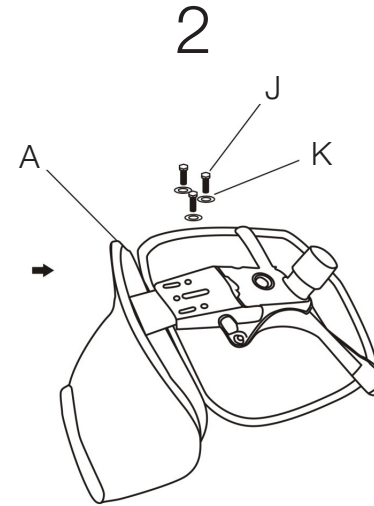
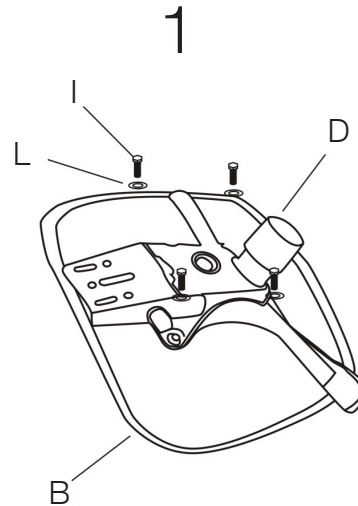


euro style™

Assembly Instructions CROSBY High Back Office Chair

PLEASE NOTE: Check that you have received all components and hardware before assembling. If you are missing any parts fax Euro Style at 415.455.8033 or email: claims@gotoeurostyle.com



A (1 pc)



B (1 pc)



C (2 pcs)



D (1 pc)



E (1 pc)



F (1 pc)



G (5 pcs)



H (6 pcs)
M6 x 25mm



I (4 pcs)
M6 x 20mm



J (3 pcs)
M8 x 20mm



K (3 pcs)



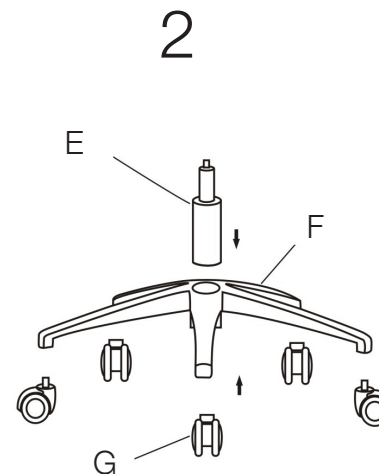
L (10 pcs)



M (1 pc)
6mm



N (1 pc)
8mm



5

