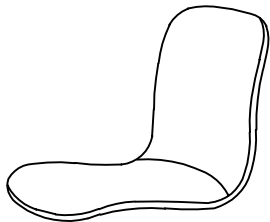


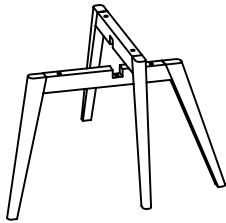
euø style™

Assembly Instructions MAI Side Chair

PLEASE NOTE: Check that you have received all components and hardware before assembling. If you are missing any parts, contact your retailer, or email: cs@gotoeurostyle.com.



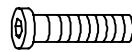
A (1 pc)



B (1 set)



C (1 pc)
4mm



D (1 pc)
M6 x 35mm



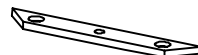
E (4 pcs)
ø6



F (4 pcs)
ø6



G (1 pc)



H (1 pc)



I (4 pcs)
M8 x 45mm

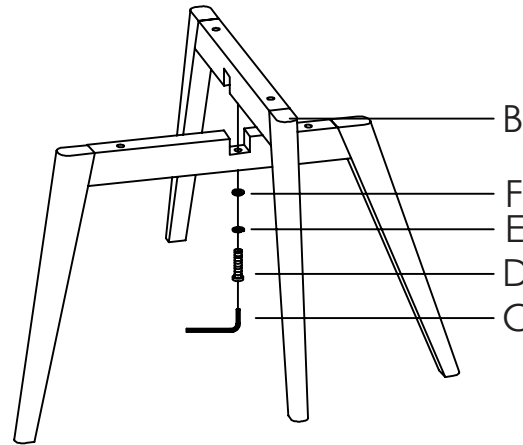


J (1 pc)
5mm

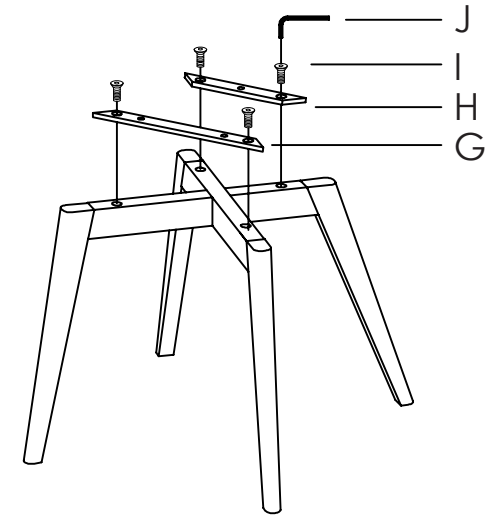


K (3 pcs)
M6 x 25mm

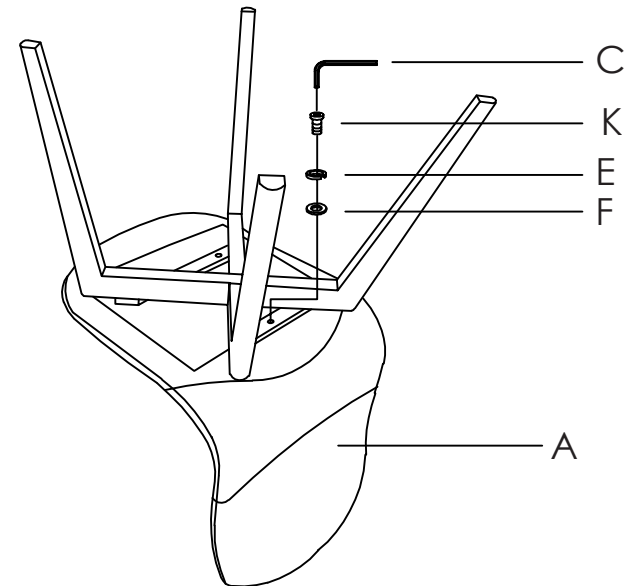
1



2



3



During assembly, hand tighten screws only. When the screws are in place, tighten completely.