

ASSEMBLY INSTRUCTIONS

GROUP NO. : 7000007 BEDROOM






ITEM NO. : 7070091/ 7070081 HEADBOARD,5/0 POSTER-ANDERS,WB/ CHIMNEY
 7070092/ 7070082 FOOTBOARD,5/0 W/SLAT-ANDERS,WB/ CHIMNEY
 7070093/ 7070083 RAILS, 5/0-6/6-ANDERS,WB/ CHIMNEY
 7070094/ 7070084 HEADBOARD,6/6 POSTER-ANDERS,WB/ CHIMNEY
 7070095/ 7070085 FOOTBOARD,6/6 W/SLAT-ANDERS,WB/ CHIMNEY
 7070097/ 7070087 HEADBOARD,6/0 POSTER-ANDERS,WB/ CHIMNEY
 7070098/ 7070088 FOOTBOARD,6/0 W/SLAT-ANDERS,WB/ CHIMNEY
 7070096/ 7070086 RAILS, 6/0-ANDERS,WB/ CHIMNEY

Read instructions carefully prior to assembly.


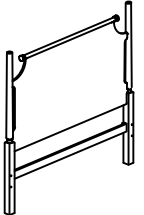

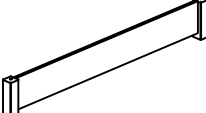

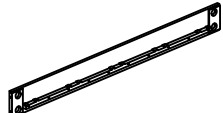


Thank you for purchasing this quality product. Check carefully for small parts which may come loose during shipment. Remove all components from pack and place top down on soft surface such as carpet or cloth to prevent scratching the finish. Identify and count all parts as specified below.

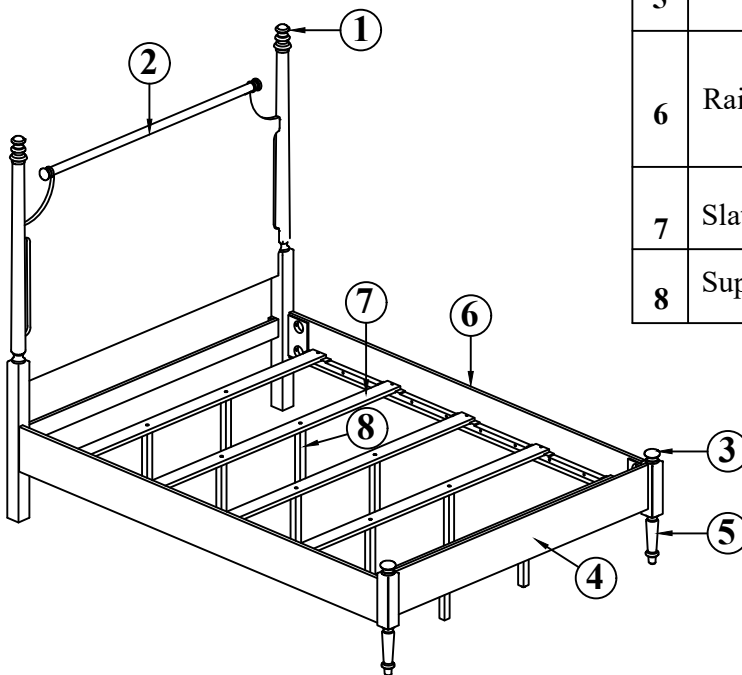
It is recommended to use two or more persons during the assembly process.

HARDWARE LIST

| No. | Description | Sketch | Size | Q'ty |
|-----|---------------|---|-----------|--------|
| A | Thread Bolt |  | Ø 5/16*80 | 8 pcs |
| B | Curved Washer |  | Ø 5/16 | 8 pcs |
| C | Hex Nut |  | Ø 5/16*12 | 8 pcs |
| D | Open Wrench |  | 12mm | 1 pc |
| E | Wood Screw |  | Ø4*30 | 10 pcs |

PARTS LIST

| No. | Description | Sketch | Q'ty |
|-----|------------------------|---|--------|
| 1 | Headboard Finial Decor |  | 2 pcs |
| 2 | Headboard Panel |  | 1 pc |
| 3 | Footboard Finial Decor |  | 2 pcs |
| 4 | Footboard Panel |  | 1 pc |
| 5 | Footboard Leg |  | 2 pcs |
| 6 | Rail |  | 2 pcs |
| 7 | Slat |  | 5 pcs |
| 8 | Support Slat |  | 10 pcs |



MAGNOLIA HOME

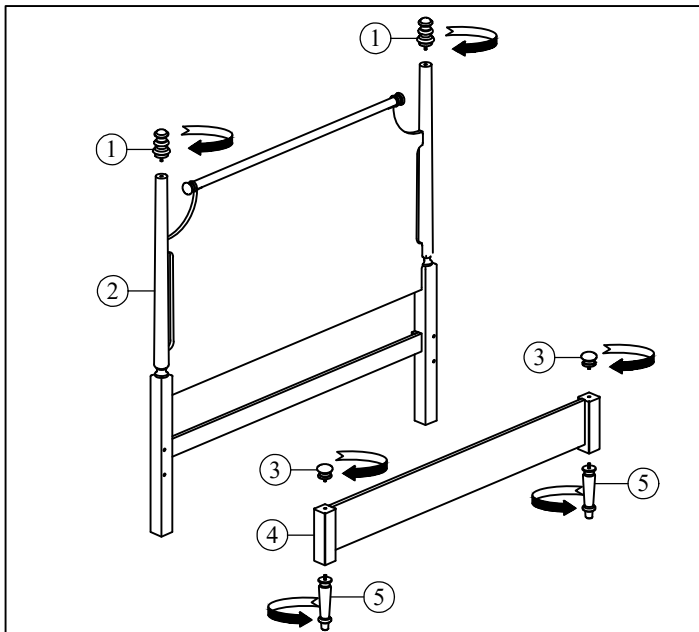
BY JOANNA GAINES

ASSEMBLY INSTRUCTIONS

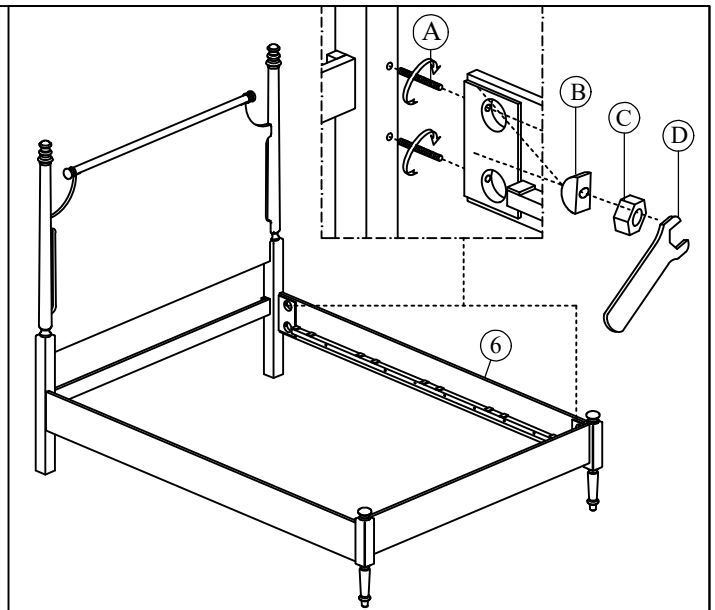
GROUP NO. : 7000007 BEDROOM

ITEM NO. : 7070091/ 7070081 HEADBOARD,5/0 POSTER-ANDERS,WB/ CHIMNEY
 7070092/ 7070082 FOOTBOARD,5/0 W/SLAT-ANDERS,WB/ CHIMNEY
 7070093/ 7070083 RAILS, 5/0-6/6-ANDERS,WB/ CHIMNEY
 7070094/ 7070084 HEADBOARD,6/6 POSTER-ANDERS,WB/ CHIMNEY
 7070095/ 7070085 FOOTBOARD,6/6 W/SLAT-ANDERS,WB/ CHIMNEY
 7070097/ 7070087 HEADBOARD,6/0 POSTER-ANDERS,WB/ CHIMNEY
 7070098/ 7070088 FOOTBOARD,6/0 W/SLAT-ANDERS,WB/ CHIMNEY
 7070096/ 7070086 RAILS, 6/0-ANDERS,WB/ CHIMNEY

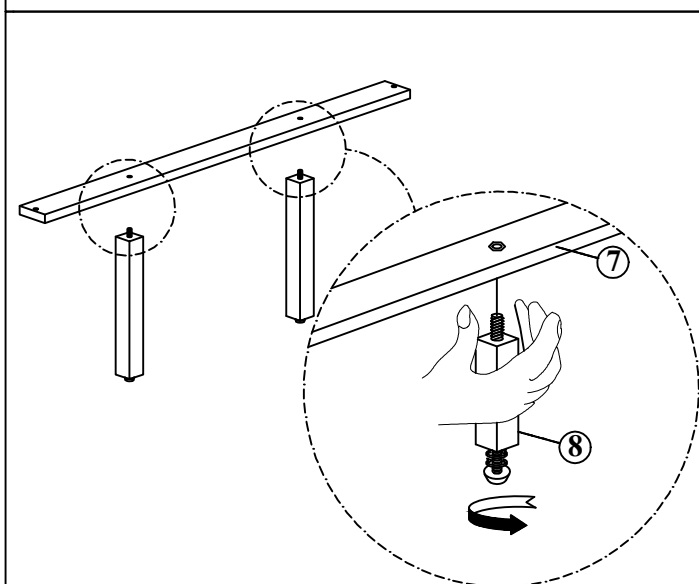
***Caution: Please read all instructions carefully before starting the assembly process. These parts are cumbersome and heavy. Therefore, two people are recommended in order to prevent personal injury and insure the parts are not damaged during the assembly.



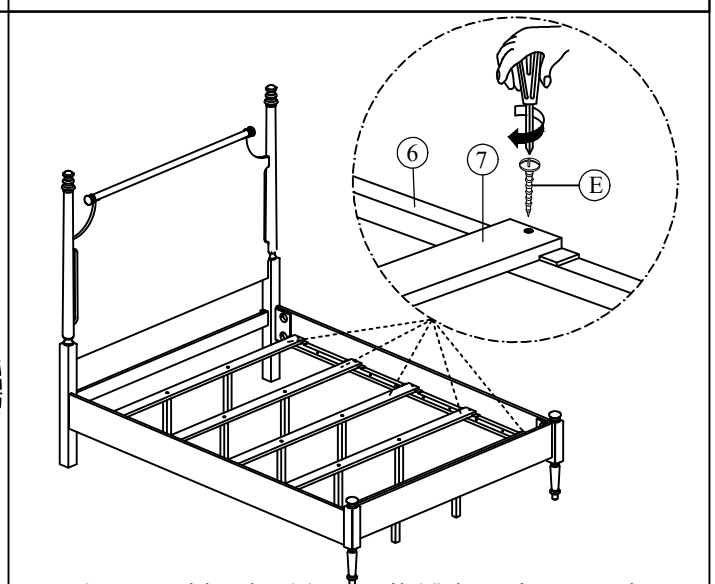
Step 1: Attach Headboard Finial Decor (1) to Headboard Panel (2), Footboard Finial Decor (3) and Footboard Leg (5) to Footboard Panel (4) by turning clockwise.



Step 2: Assemble Rail (6) to Footboard and Headboard by using Thread Bolt (A), Curved Washer (B), Hex Nut (C) and Open Wrench (D).



Step 3: Attach Slat Support (8) to Slat (7) by turning as clockwise



Step 4: Assemble Slat (7) to Rail (6) by using Wood Screw (E) and tighten with screw-driver (not included).