





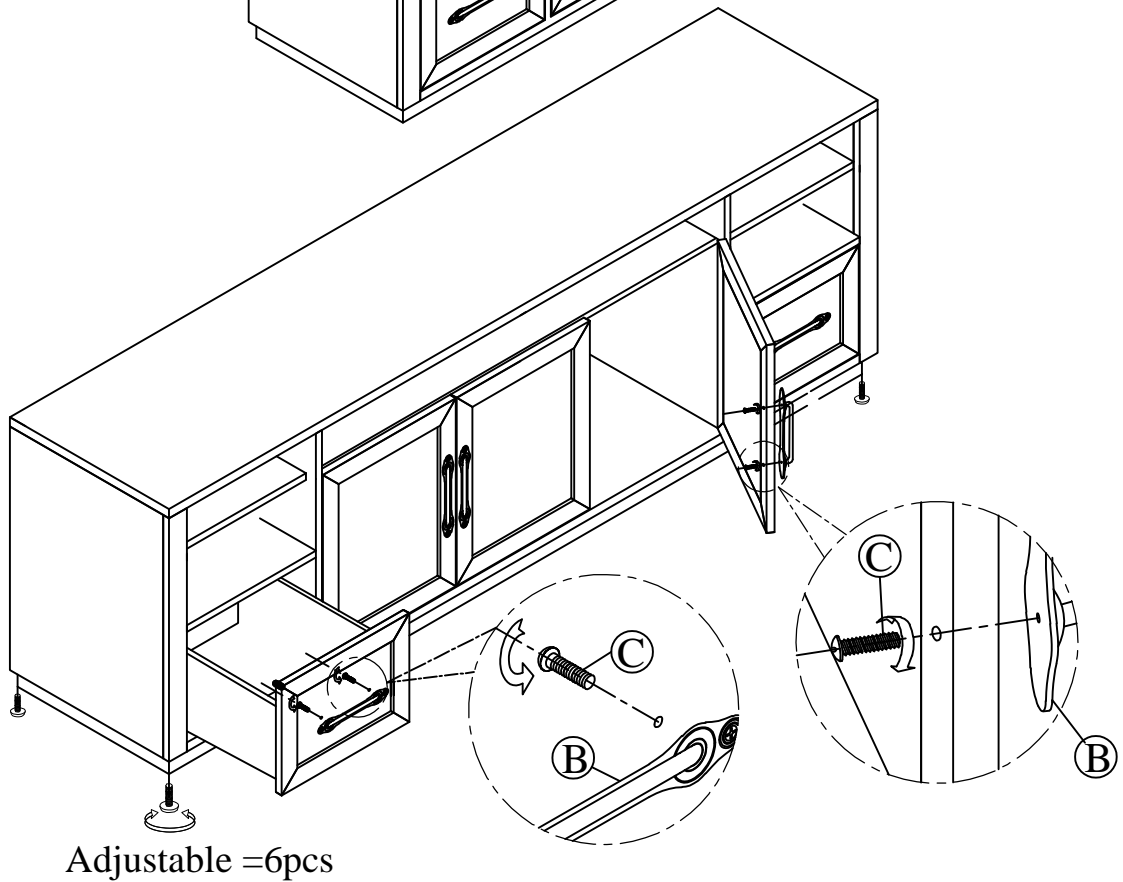
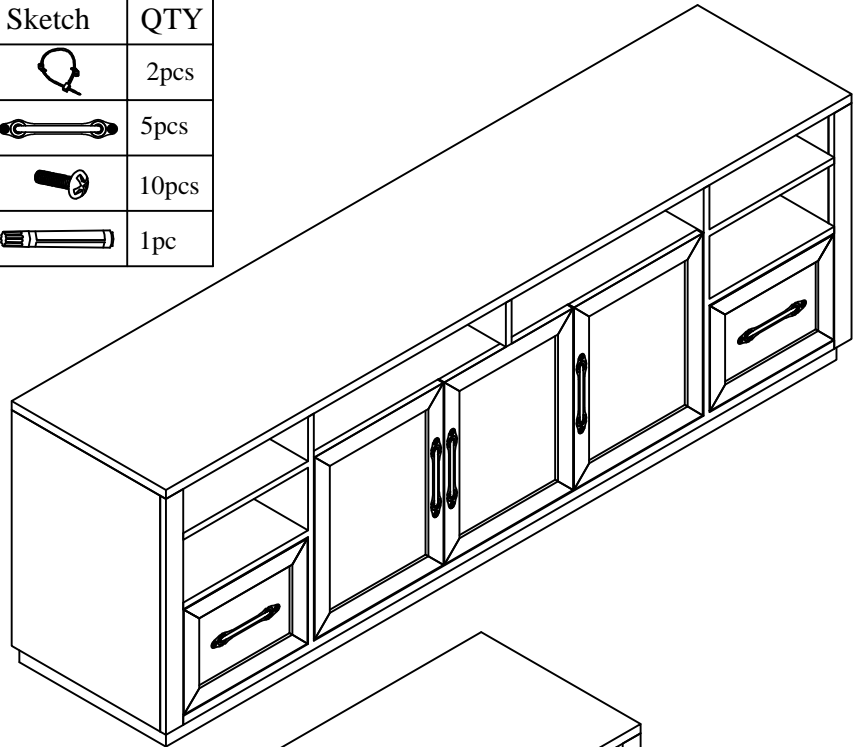
Assembly Instruction

TEM:VEC#89

Description : TV CONSOLE

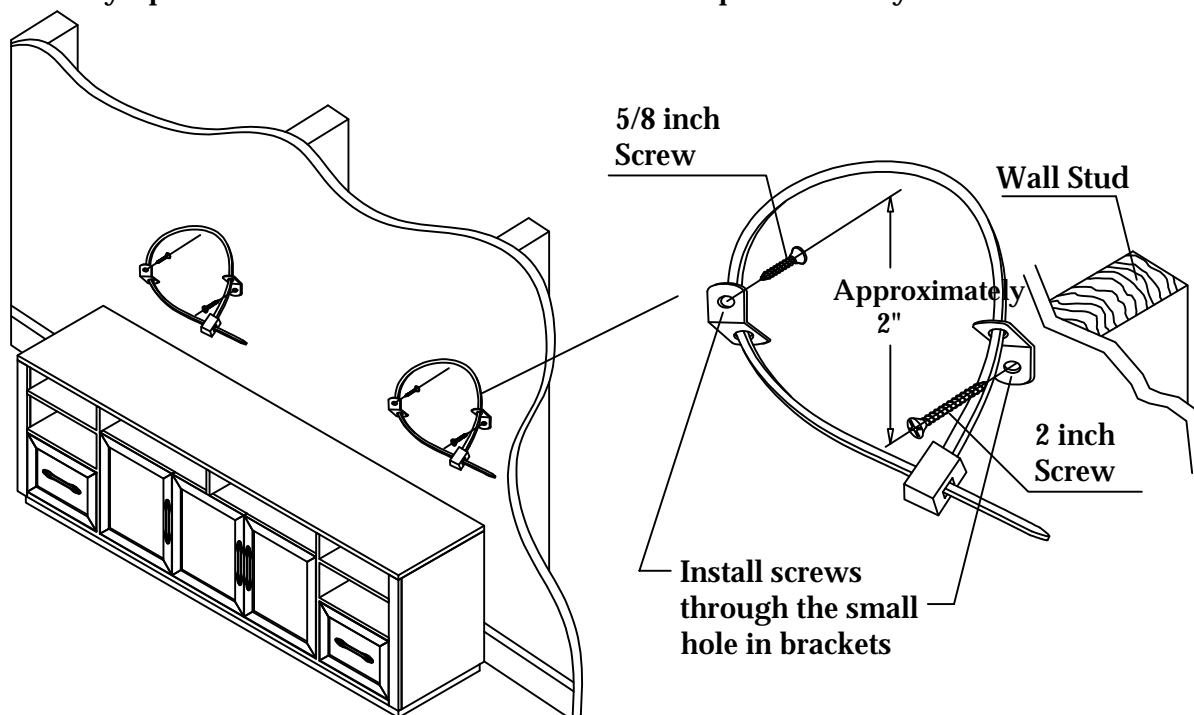
Hardware list

NO	Description	Sketch	QTY
A	Anti-tip Hardware		2pcs
B	Handle		5pcs
C	Bolt m4*20mm		10pcs
	Touch up Pen		1pc



Anti-Tip Hardware Installation Instructions

Notice: In homes where small children may be present, Parker House. recommends that steps be taken for certain furniture items to prevent or minimize the risk of tip-over. This furniture is equipped with Tip-over Restraint Hardware for use to minimize this risk, if used. Please follow below installation steps. Parker House. recommends that parents and guardians periodically visit the U.S. Consumer Product Safety Commission (CPSC) website at <http://www.cpsc.gov/> and stay up to date on all issues related to children's product safety.



1. Temporarily locate the furniture to near its final location in the room next to a wall. Locate a wall stud behind your furniture and also mark the stud's location on the back of your furniture.
2. Firmly attach one bracket to the stud approximately 2" below the top of the furniture with the 2 inch long Wood Screws provided. It may be necessary to drill 3/32 dia. pilot holes for the screws.
3. Firmly attach the other bracket onto a solid, structural part on the back of the furniture using the 5/8 inch long Wood Screws. It may also be necessary to pilot bore for these screws.
4. Move the furniture into its final position, taking care to line up the wall bracket with the furniture bracket. Thread a strap through the bracket as shown in the illustration. Tighten strap until snug but do not over tighten.

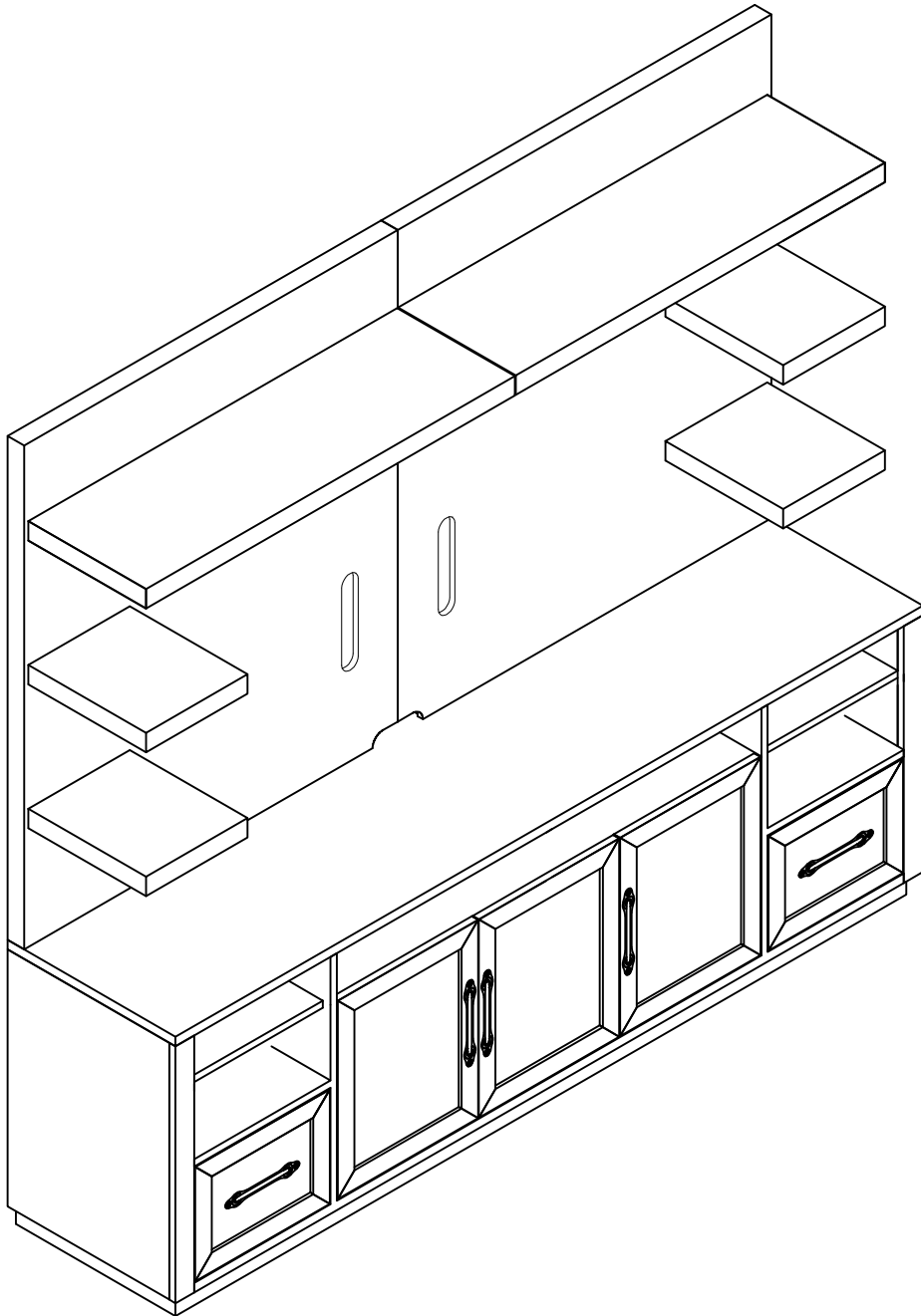
Caution: Parker House. assumes no liability for improper installation or excessive loads placed on screws, brackets or straps. Failure to detach this restraint before moving furniture may result in personal injury and property damage.

Warning: This tip-over restraint is not to be a substitute for proper adult supervision. Do not allow children to climb on furniture. Items left on top of the TV and furniture, such as toys, remote controls and treats might tempt young children to climb. Push the TV as far back as possible from the front of its stand. Place electrical cords out of a child's reach, and teach children not to play with the cords.

Assembly Instruction

TEM:VEC#89H

Description : TV HUTCH
















Assembly Instruction

TEM:VEC#89H


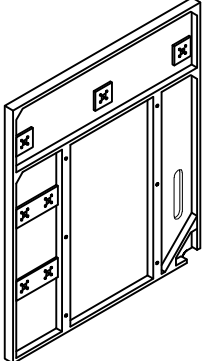
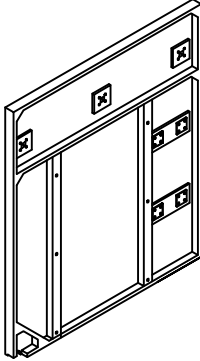
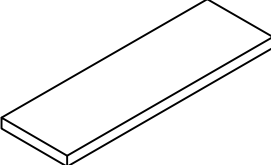
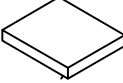
Description : TV HUTCH

Hardware List

NO	Description	Sketch	QTY
A	Anti-tip Hardware		2pcs
B	Allen Wrench 4mm		2pcs
C	Lock Washer Ø1/4"*12mm		104pcs
D	Flat Washer Ø1/4"*19mm		20pcs
E	Allen Bolt Ø1/4"*60mm		20pcs
F	Screw Cap Ø1/4"*15mm		4pcs

G	Allen Bolt Ø1/4"*32mm		4pcs
H	Allen Bolt Ø1/4"*22mm		84pcs
I	Flat Washer Ø1/4"*16mm		84pcs
J	Shelf support frame		14pcs
K	Wood Plug		14pcs
L	Screw 18mm		28pcs
	Touch up Pen		1pc

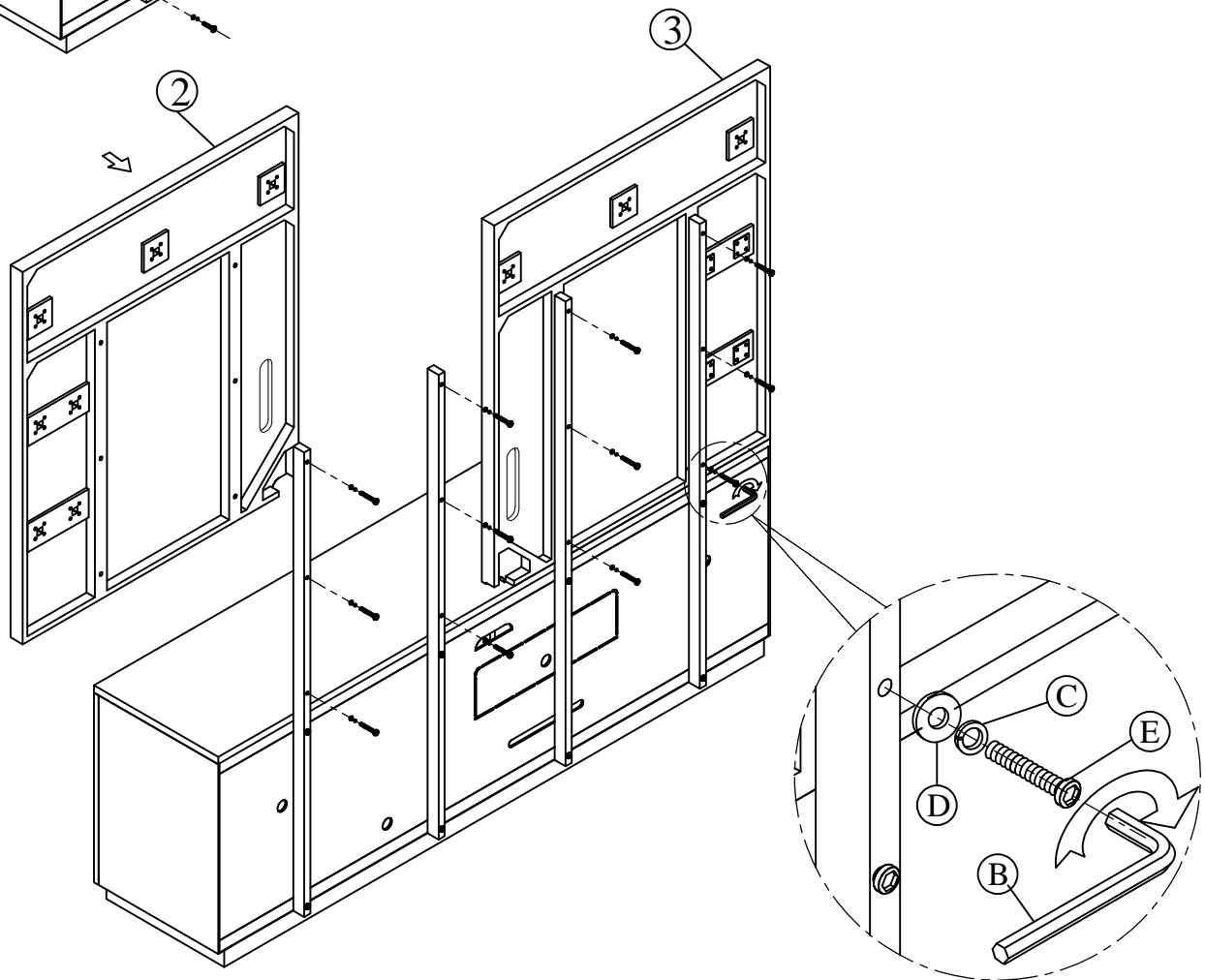
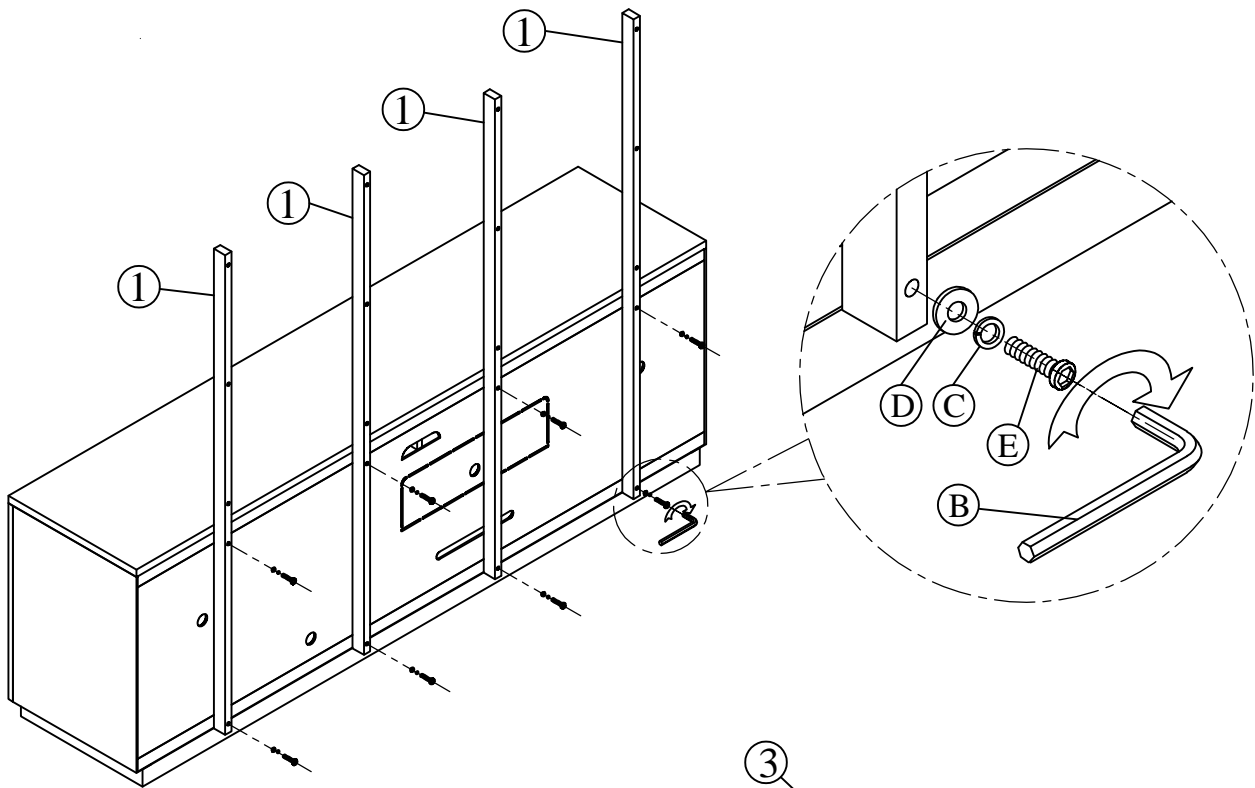
Parts List

Support : 4pcs	Right Back Panel: 1pc	Left Back Panel: 1pc
<p>①</p> 	<p>②</p> 	<p>③</p> 
<p>Long Shelf: 2pcs</p>	<p>Short Shelf: 4pcs</p>	
<p>④</p> 	<p>⑤</p> 	

Assembly Instruction

TEM:VEC#89H

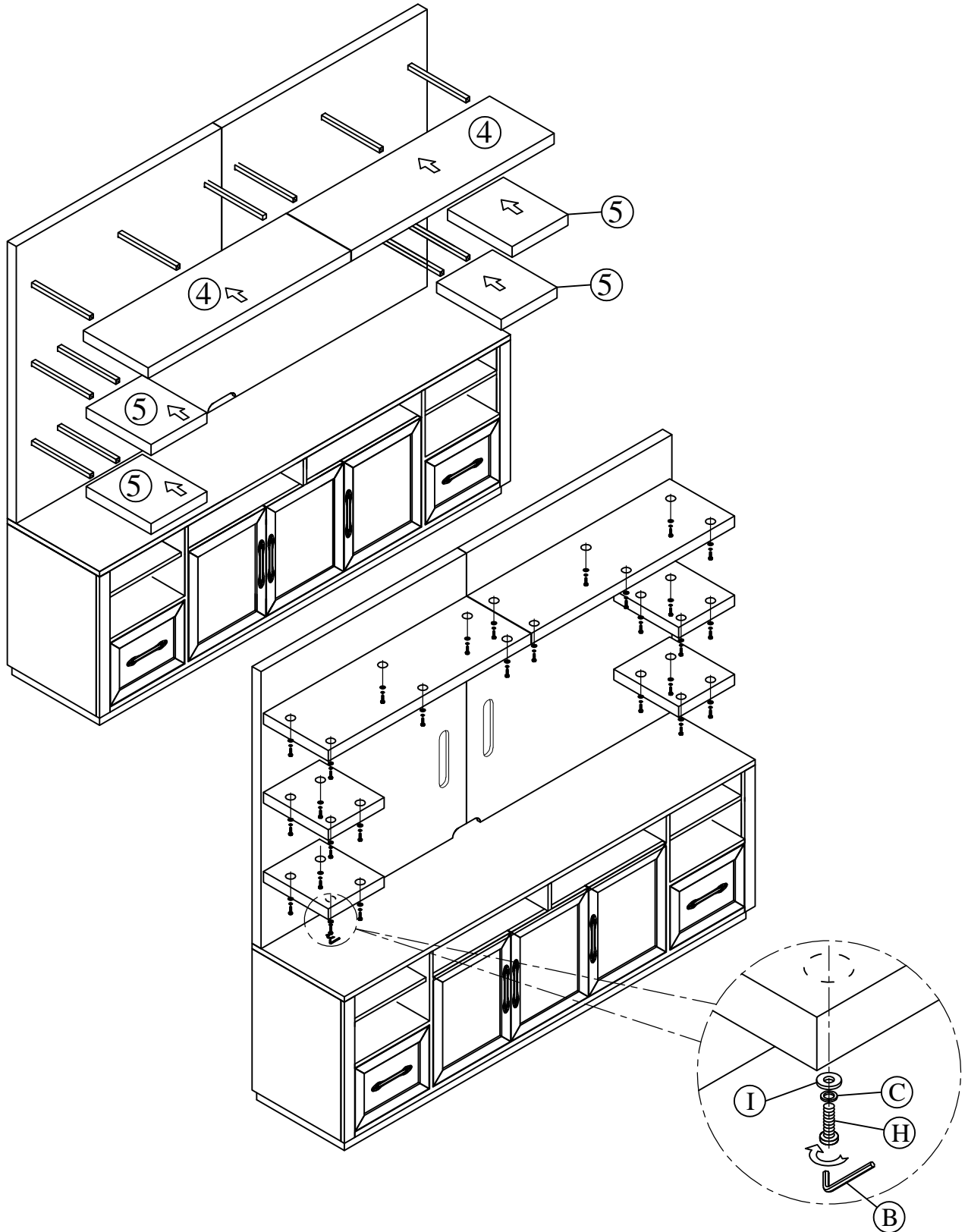
Description : TV HUTCH



Assembly Instruction

TEM:VEC#89H

Description : TV HUTCH



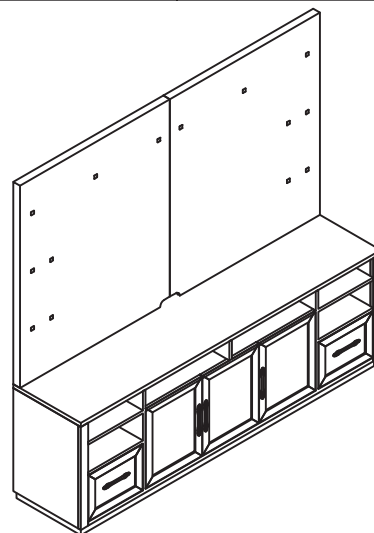
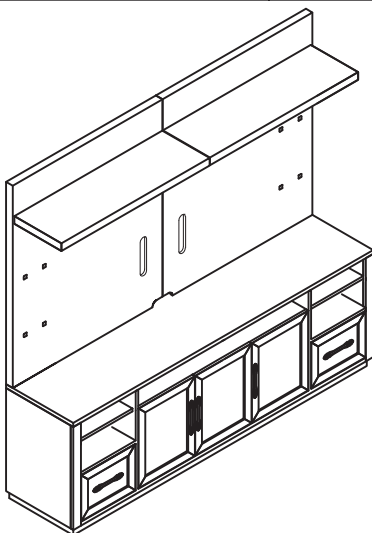
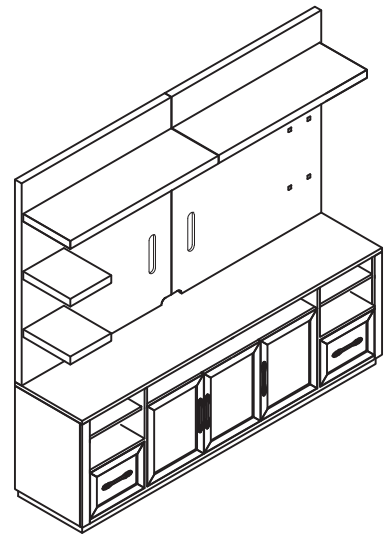
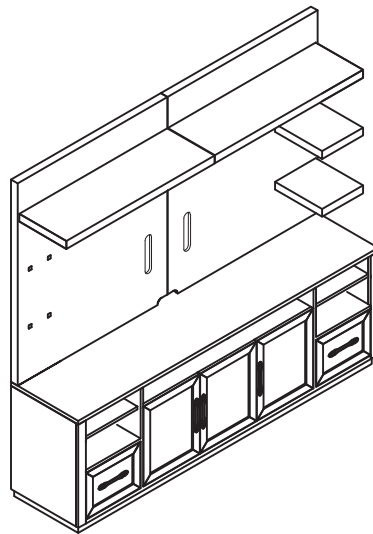
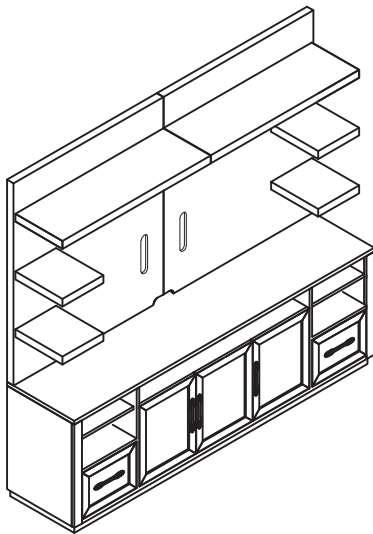
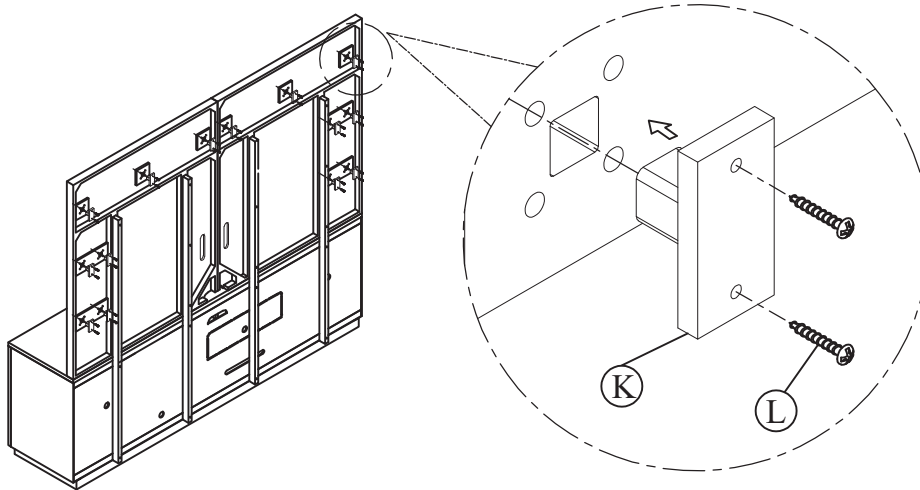
Assembly Instruction

TEM:VEC#89H

Description : TV HUTCH

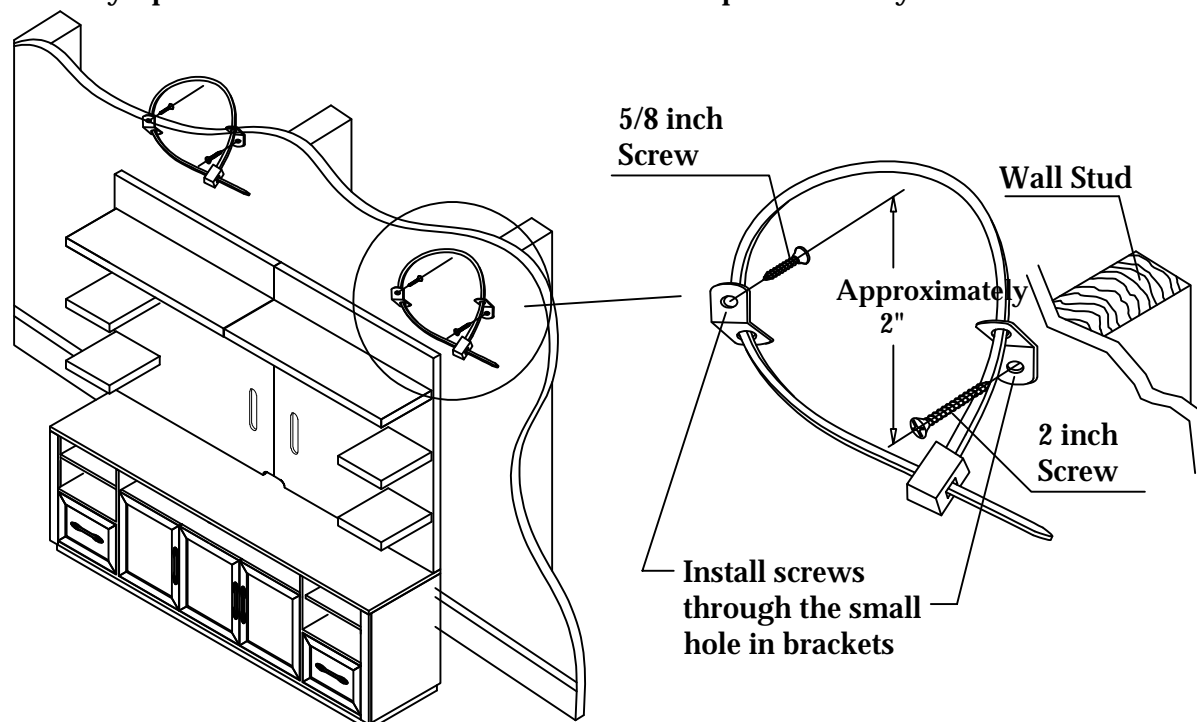
Should you decide not to install any of the shelves, the holes for the shelf supports can be filled with the wood plugs (K) finished to match the back panel.

This wall can be set up with any of the below shelf configurations.



Anti-Tip Hardware Installation Instructions

Notice: In homes where small children may be present, Parker House. recommends that steps be taken for certain furniture items to prevent or minimize the risk of tip-over. This furniture is equipped with Tip-over Restraint Hardware for use to minimize this risk, if used. Please follow below installation steps. Parker House. recommends that parents and guardians periodically visit the U.S. Consumer Product Safety Commission (CPSC) website at <http://www.cpsc.gov/> and stay up to date on all issues related to children's product safety.



1. Temporarily locate the furniture to near it's final location in the room next to a wall. Locate a wall stud behind your furniture and also mark the stud's location on the back of your furniture.
2. Firmly attach one bracket to the stud approximately 2" below the top of the furniture with the 2 inch long Wood Screws provided. It may be necessary to drill 3/32 dia. pilot holes for the screws.
3. Firmly attach the other bracket onto a solid, structural part on the back of the furniture using the 5/8 inch long Wood Screws. It may also be necessary to pilot bore for these screws.
4. Move the furniture into its final position, taking care to line up the wall bracket with the furniture bracket. Thread a strap through the bracket as shown in the illustration. Tighten strap until snug but do not over tighten.

Caution: Parker House. assumes no liability for improper installation or excessive loads placed on screws, brackets or straps. Failure to detach this restraint before moving furniture may result in personal injury and property damage.

Warning: This tip-over restraint is not to be a substitute for proper adult supervision. Do not allow children to climb on furniture. Items left on top of the TV and furniture, such as toys, remote controls and treats might tempt young children to climb. Push the TV as far back as possible from the front of its stand. Place electrical cords out of a child's reach, and teach children not to play with the cords.