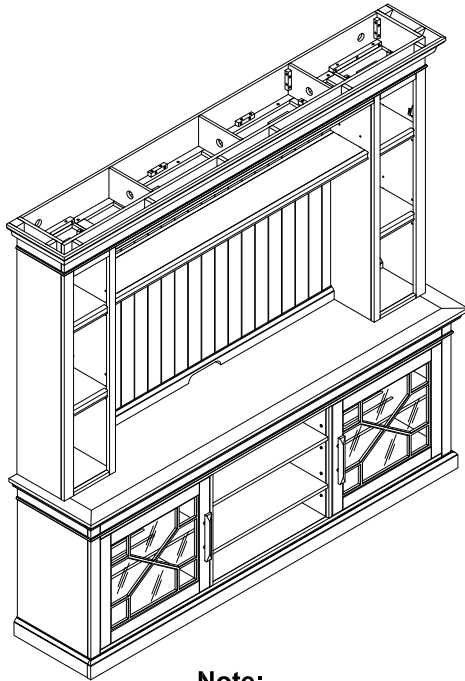


# Assembly Instruction

Item No: SUN#92HB-SS-SGR/ 92HP-SS-SGR/ 92BP-SS-SGR

Description: 92" HUTCH BRIDGE/92" HUTCH PIERS/92" HUTCH BACK PANEL  
/92" TV CONSOLE



**Note:**  
1. Remove glass shelf from inner box

## PARTS LIST:

①		②	
92"TV CONSOLE : 1PC		LIGHT BRIDGE: 1PC	
③		④	
LEFT BACK PANEL: 1PC		RIGHT BACK PANEL : 1PC	
⑤		⑥	
ADJUSTABLE SHELF: 1PC		BOTTOM RAIL BACK: 1PC	
⑦		⑧	
LEFT GLASS SHELF: 2PCS		RIGHT GLASS SHELF: 2PCS	
⑨		⑩	
LEFT PIER BASE : 1PC		RIGHT PIER BASE: 1PC	

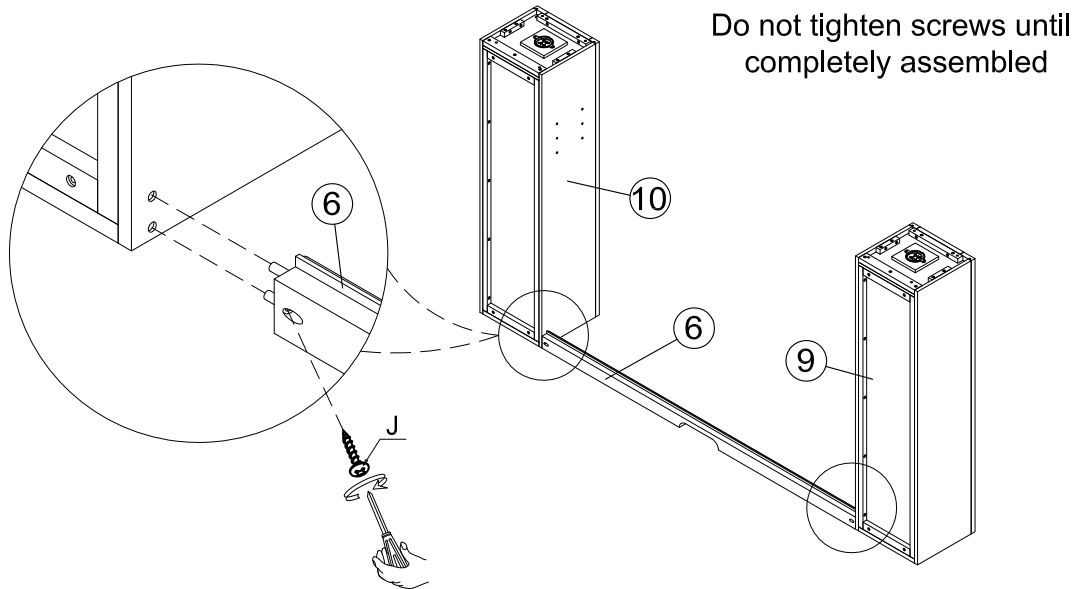
⑪

## HARDWARE LIST

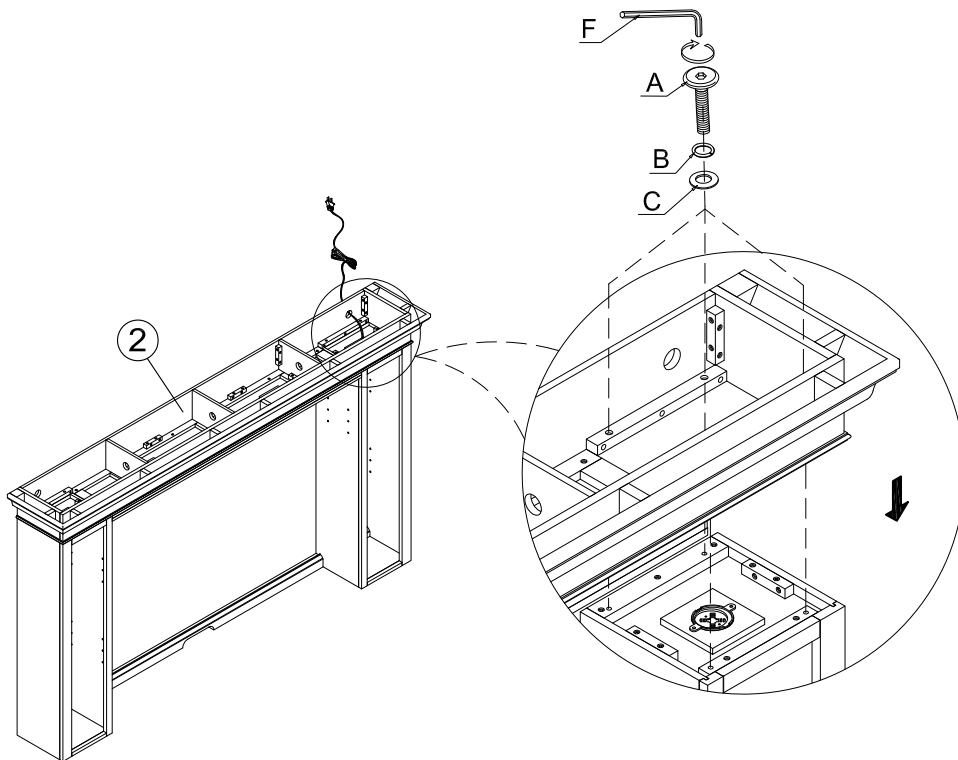
NO.	Drawing	Description	
A		Bolt Ø1/4"x1-1/2"	8pcs
B		Spring washer (Ø1/4")	8pcs
C		Flat washer (Ø1/4"x19mm)	8pcs
D		Bolt Ø1/4"x1-3/4"(16mm)	3pcs
E		Female bolt Ø1/4"x5/8"(16mm)	3pcs
F		Allen wrench (4mm)	1pc
G		Glass Shelf support	16pcs
H		Shelf support	4pcs
I		Wood screw(Ø6*5/8")	16pcs
J		Wood screw(Ø8*1-1/4")	2pcs
K		Wood screw(Ø8*3/4")	14pcs
L		Braket	2pcs
M		Tie warp	1pc
N		Long screw	1pc
O		Short screw	1pc

Item No: SUN#92HB-SS-SGR/ 92HP-SS-SGR/ 92BP-SS-SGR  
Description: 92" HUTCH BRIDGE/92" HUTCH PIERS/92" HUTCH BACK PANEL  
/92" TV CONSOLE

STEP1

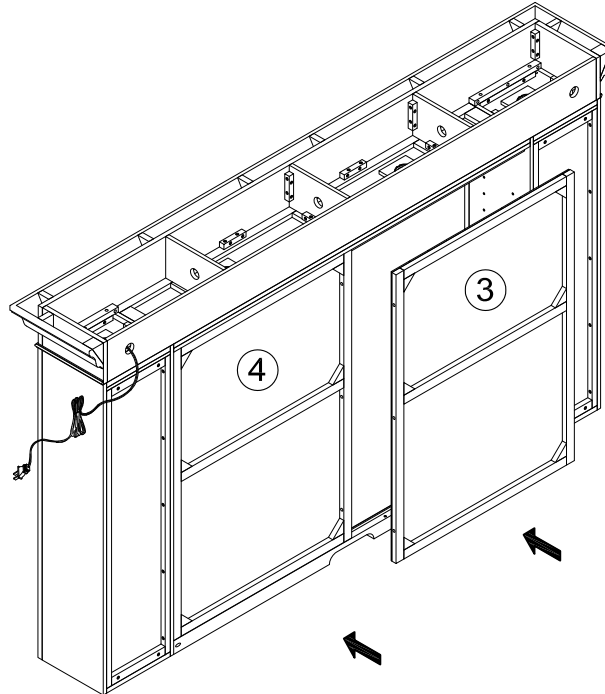


STEP2



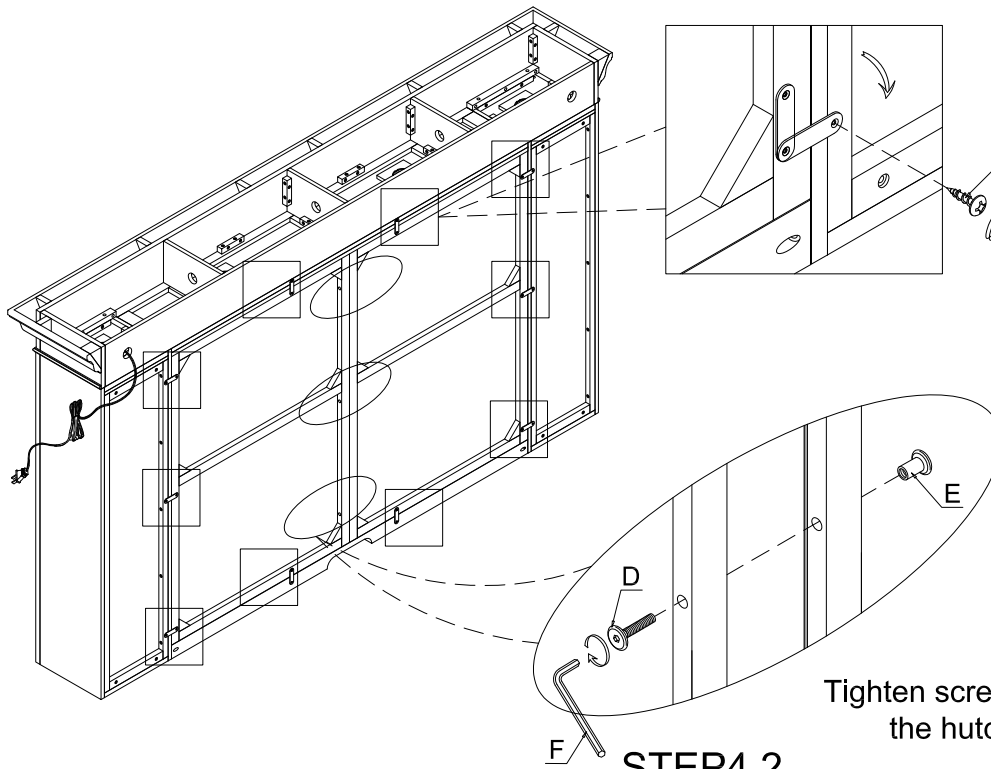
Item No: SUN#92HB-SS-SGR/ 92HP-SS-SGR/ 92BP-SS-SGR  
Description: 92" HUTCH BRIDGE/92" HUTCH PIERS/92" HUTCH BACK PANEL  
/92" TV CONSOLE

**STEP3**



Do not tighten screws until completely assembled

**STEP4**



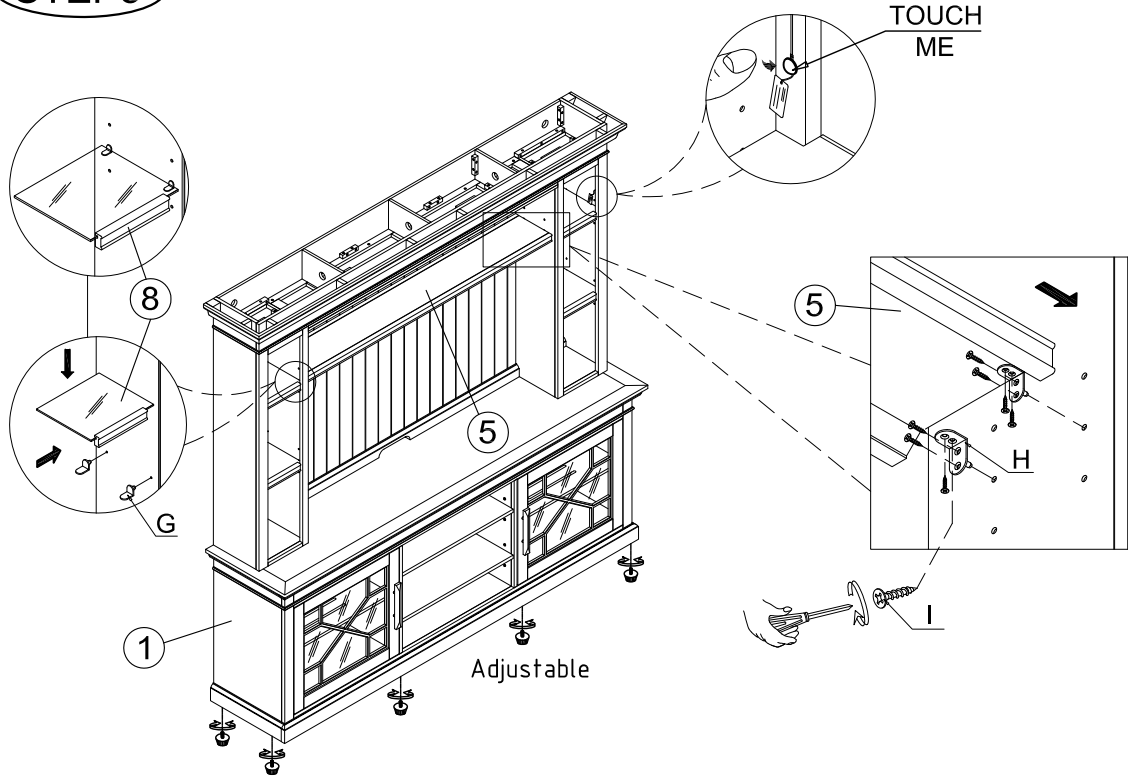
**STEP4.1**

Tighten screws for assembling the hutch back panel

**STEP4.2**

Item No: SUN#92HB-SS-SGR/ 92HP-SS-SGR/ 92BP-SS-SGR  
 Description: 92" HUTCH BRIDGE/92" HUTCH PIERS/92" HUTCH BACK PANEL  
 /92" TV CONSOLE

**STEP 5**



**STEP 6**

